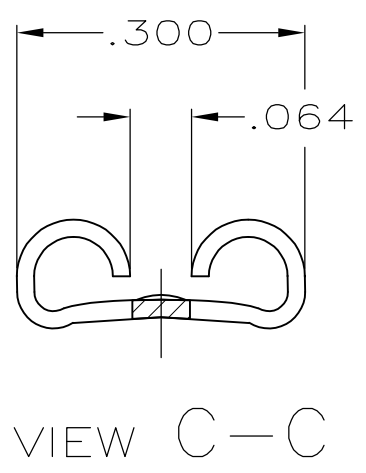
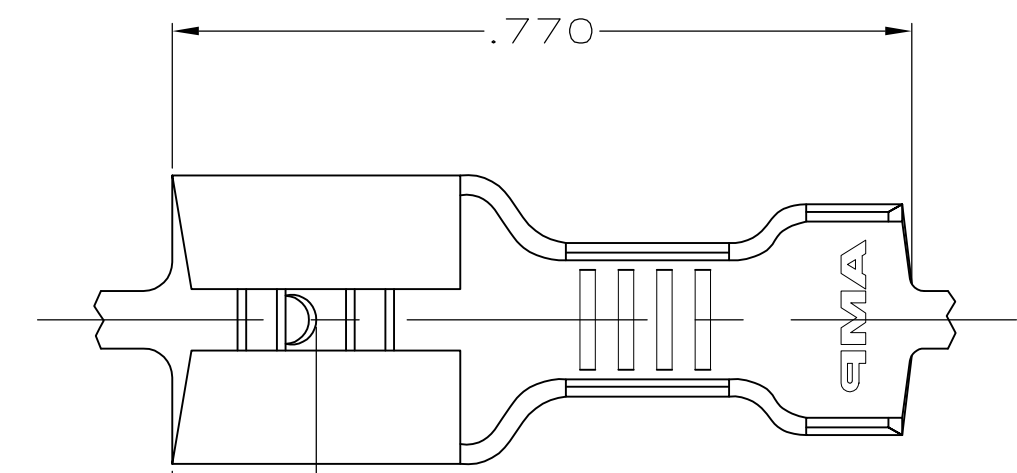
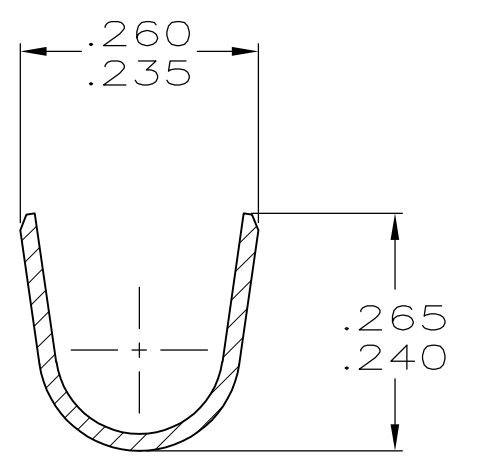
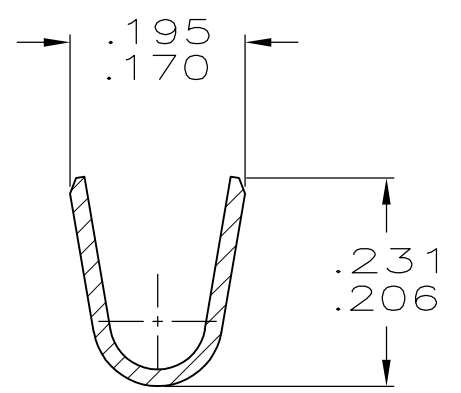
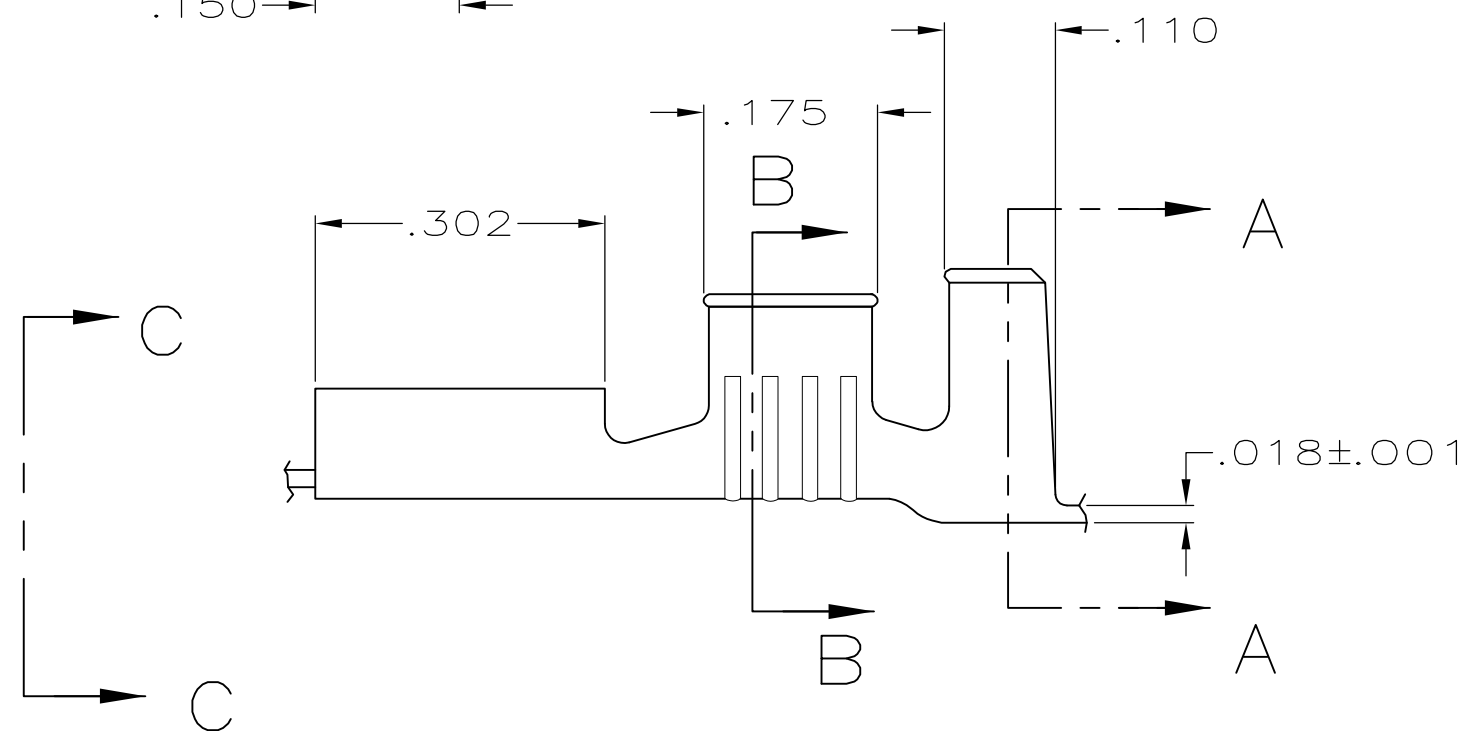


THIS DRAWING IS UNPUBLISHED. RELEASED FOR PUBLICATION
 © COPYRIGHT - By - ALL RIGHTS RESERVED.

LOC	DIST	REVISIONS					
AF	50	P	LTR	DESCRIPTION	DATE	DWN	APVD
		L		REVISED PER ECR-12-013459	27NOV2012	KH	PD



- 1 CONTINUOUS STRIP ON REELS.
- 2 MATING TAB THK TO BE .032±.001.
- 3 WIRE SIZE IS #12-#10 AWG.
- 4 INSULATION RANGE IS .150-.200 DIA.
- 5 PRELIMINARY - NOT FOR PRODUCTION



SECTION B-B

SECTION A-A

.000150 MIN NICKEL	H04 C.R.STEEL	5 62428-4
TIN	H03 PHOS BRONZE	62428-3
TIN	BRASS	62428-2
-	H04 BRASS	5 62428-1
FINISH	MATERIAL	PART NO.

THIS DRAWING IS A CONTROLLED DOCUMENT.		DWN	JR RUTH	9/12/96	STE TE Connectivity											
DIMENSIONS: INCHES		CHK	MS FEHER	9/12/96												
TOLERANCES UNLESS OTHERWISE SPECIFIED:		APVD	J HUZVAR	9/12/96												
<table border="1"> <tr><td>0 PLC</td><td>± -</td></tr> <tr><td>1 PLC</td><td>± -</td></tr> <tr><td>2 PLC</td><td>± -</td></tr> <tr><td>3 PLC</td><td>± .015</td></tr> <tr><td>4 PLC</td><td>± -</td></tr> <tr><td>ANGLES</td><td>± -</td></tr> </table>		0 PLC	± -	1 PLC		± -	2 PLC	± -	3 PLC	± .015	4 PLC	± -	ANGLES	± -	NAME	
0 PLC	± -															
1 PLC	± -															
2 PLC	± -															
3 PLC	± .015															
4 PLC	± -															
ANGLES	± -															
MATERIAL	SEE TABLE	FINISH	SEE TABLE	PRODUCT SPEC	SIZE	CAGE CODE	DRAWING NO	RESTRICTED TO								
				APPLICATION SPEC	A3	00779	C-62428	-								
				WEIGHT	CUSTOMER DRAWING		SCALE	1:1								
						SHEET	1 OF 1	REV L								