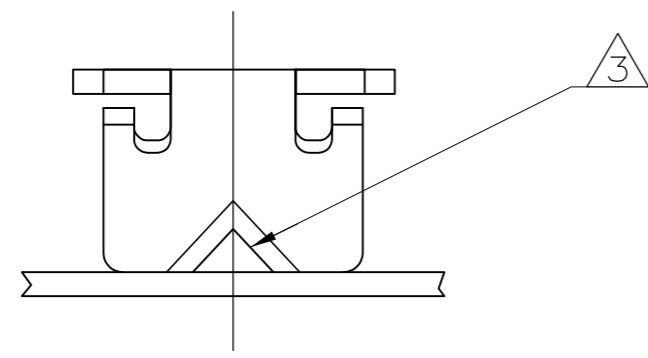


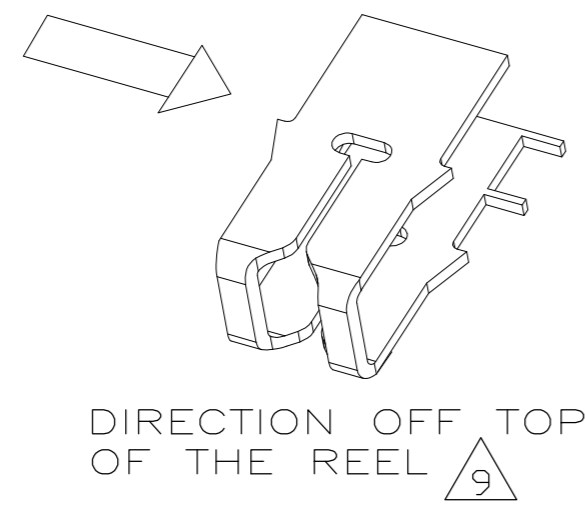
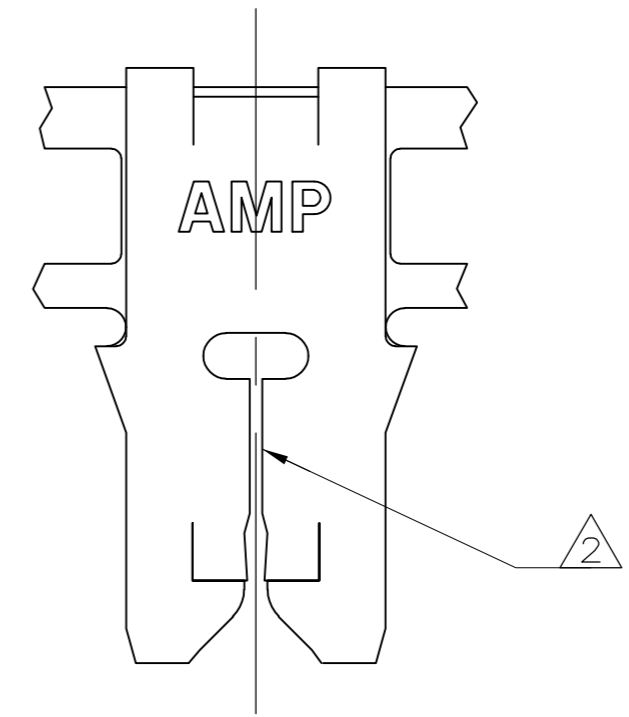
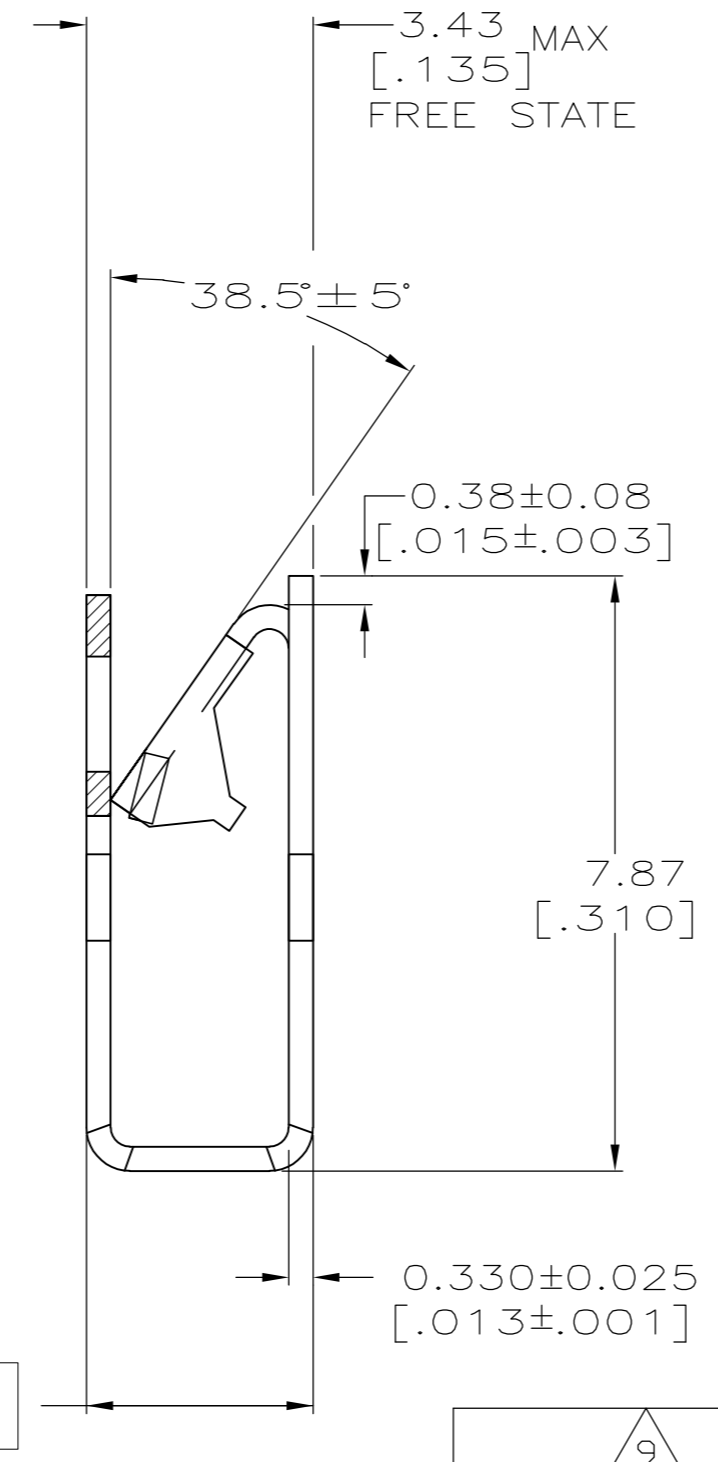
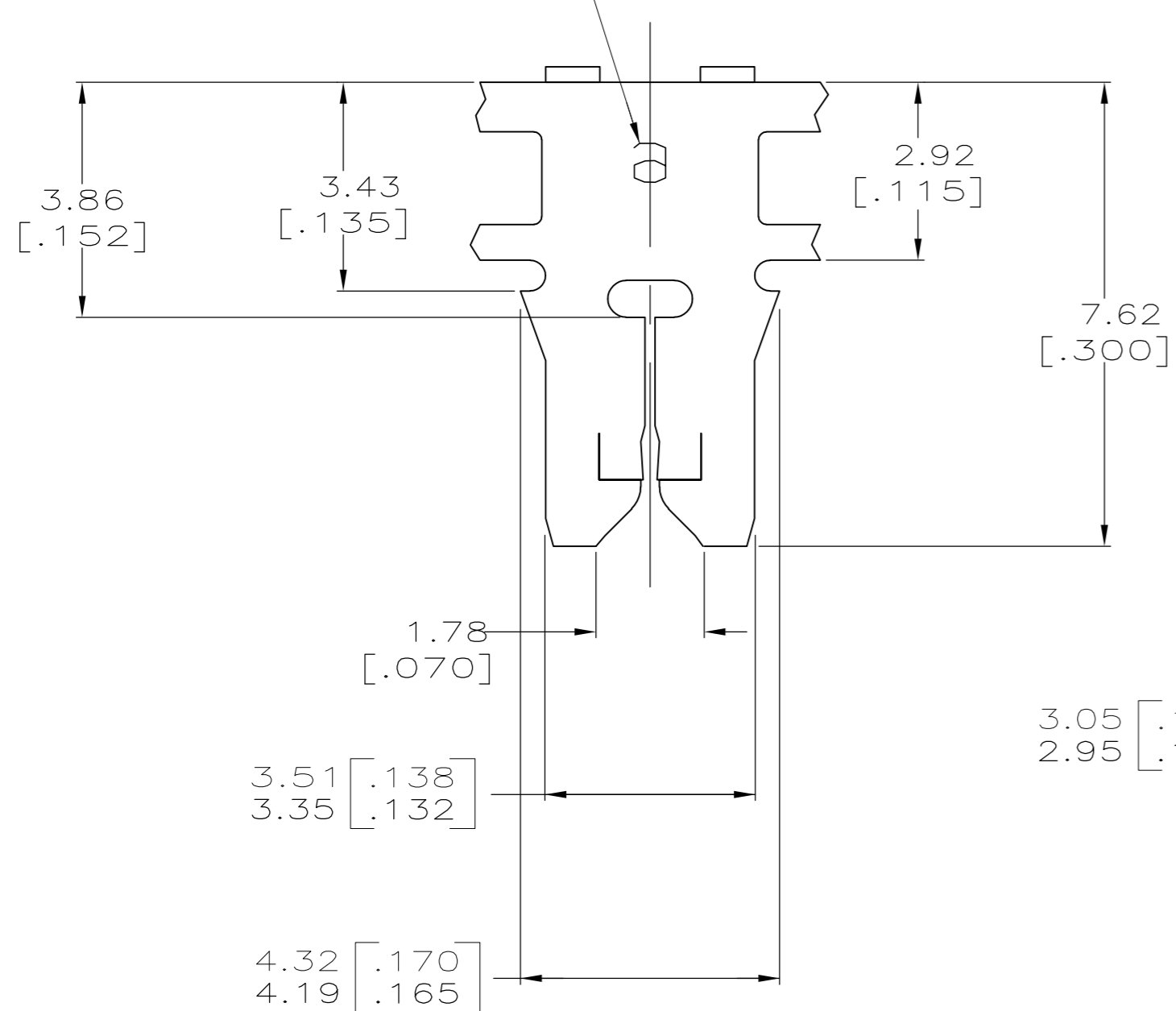
THIS DRAWING IS UNPUBLISHED. RELEASED FOR PUBLICATION  
 © COPYRIGHT - TE CONNECTIVITY ALL RIGHTS RESERVED.

REVISIONS				
P	LTR	DESCRIPTION	DATE	APVD
AG11		ADDED NEW PN 1-62429-2	31OCT2017	SV PKS

- 1 CONTINUOUS STRIP ON REELS WITH TERMINALS LOCATED ON 5.59±0.08 [.220±.003] CENTERS.
- 2 SLOT TERMINATES EITHER A SINGLE OR DOUBLE MAGNET WIRE OF THE SAME SIZE AND TYPE. COPPER RANGE: 0.25-0.36mm [#30-#27] AWG. ALUMINUM RANGE: 0.32-0.45mm [#28-#25] AWG.
- 3 POKE-IN ACCEPTS A 0.5-0.9mm<sup>2</sup> [#20-#18] AWG SOLID OR FUSED STRANDED LEAD WIRE.
- 4 SPECIAL REEL QUANTITY - SPAIN PRODUCTION ONLY.
- 5 PRELIMINARY - NOT FOR PRODUCTION.
- 6 NICKEL UNDERPLATE OPTIONAL
- 7 PAPER SPLICED - RESTRICTED FOR BSH-GERMANY
- 8 RETURNABLE PLASTIC REELING FOR SUPPLY WITHIN BRAZIL ONLY



IDENTIFICATION NUMBER 6 FOR MAGNET WIRE RANGE



OBSOLETE

9	WITH PAPER	TIN PLATE	BRASS	1-62429-2
STANDARD	PLASTIC REEL W/ PAPER	TIN PLATE	6 BRASS	8 1-62429-0
STANDARD	WITH PAPER	TIN PLATE	6 BRASS	7 62429-9
<del>STANDARD</del>	<del>WITH PAPER</del>	<del>TIN PLATE</del>	<del>PHOS-BRONZE</del>	<del>5 62429-7</del>
REVERSE	WITH PAPER	TIN PLATE	BRASS	62429-6
STANDARD	WITH PAPER 4	TIN PLATE	BRASS	62429-5 4
STANDARD	PLASTIC REEL W/PAPER	UNPLATED	BRASS	62429-4
STANDARD	WITHOUT PAPER	TIN PLATE	6 BRASS	62429-2
STANDARD	WITH PAPER	TIN PLATE	6 BRASS	62429-1
REELING DIRECTION	REELING	FINISH	MATERIAL	PART NUMBER

THIS DRAWING IS A CONTROLLED DOCUMENT.

DIMENSIONS: INCHES	TOLERANCES UNLESS OTHERWISE SPECIFIED:	DWN 03OCT1995 MICHAEL S. FEHER	
0 PLC ± -	1 PLC ± -	CHK 16OCT1995 RICHARD GRZYBOWSKI	
2 PLC ± 0.25 [.010]	3 PLC ± -	APVD 16OCT1995 NELSON E. NEFF	NAME
4 PLC ± -	ANGLES ± -	PRODUCT SPEC	108-2012
MATERIAL SEE TABLE	FINISH SEE TABLE	APPLICATION SPEC	114-2046
		WEIGHT	0
		CUSTOMER DRAWING	SCALE 10:1 SHEET 1 OF 1 REV AG11