

THIS DRAWING IS UNPUBLISHED.

RELEASED FOR PUBLICATION

© COPYRIGHT - By -

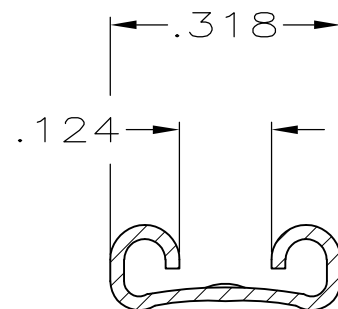
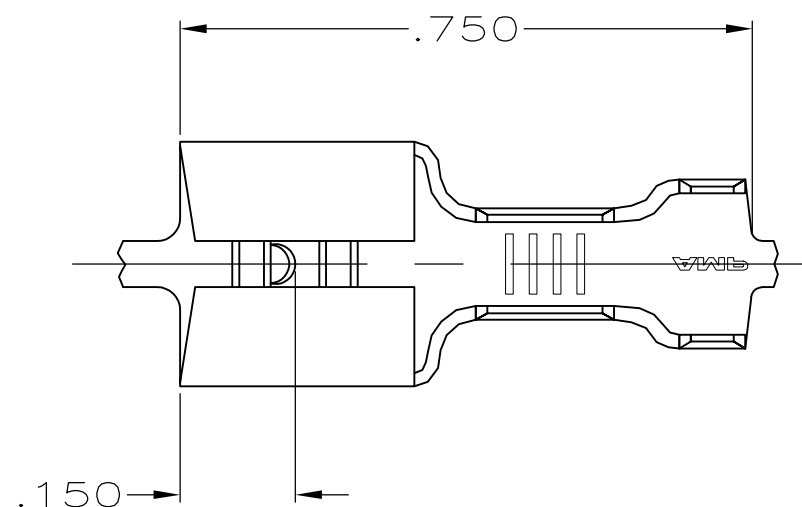
ALL RIGHTS RESERVED.

LOC AF DIST 50

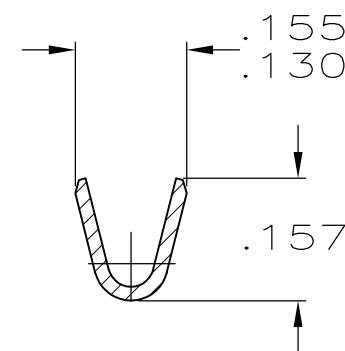
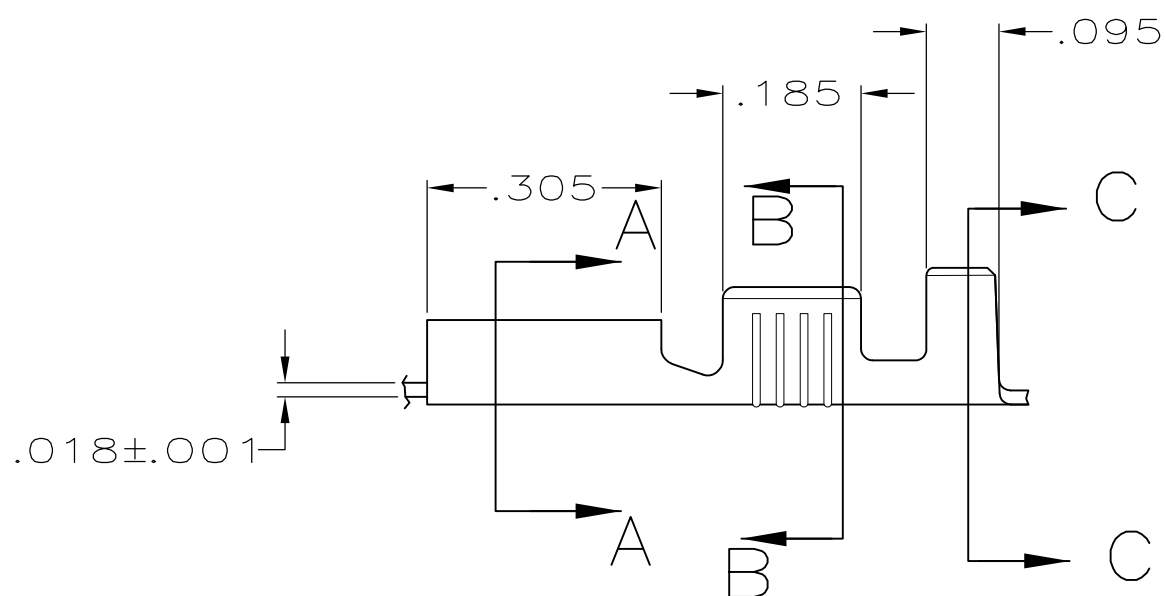
REVISIONS

P	LTR	DESCRIPTION	DATE	DWN	APVD
	E	REVISED PER ECR-11-018063	26DEC11	KH	PD

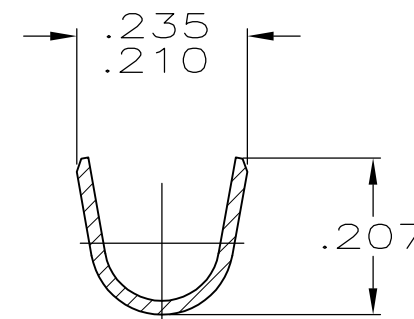
- 1 CONTINUOUS STRIP ON REELS.
- 2 ACCEPTS $.032 \pm .001$ THICK MATING TAB
- 3 ACCEPTS #18-#14 AWG WIRE SIZE.
- 4 INSULATION RANGE TO BE $.120-.170$ DIA
- 5 FEED TO BE $.840 \pm .005$.



SECTION A-A



SECTION B-B



SECTION C-C

TIN	62500-2
-	62500-1
FINISH	PART NO

THIS DRAWING IS A CONTROLLED DOCUMENT.		DWN JR RUTH 8/30/95	STE TE Connectivity		
DIMENSIONS: INCHES		CHK MS FEHER 8/30/95			
TOLERANCES UNLESS OTHERWISE SPECIFIED:		APVD J HUZVAR 8/30/95	NAME		
0 PLC ± -		PRODUCT SPEC	RECEPTACLE, FASTON, .250 SERIES		
1 PLC ± -		-	SIZE	CAGE CODE	DRAWING NO
2 PLC ± -		APPLICATION SPEC	A3 00779		C-62500
3 PLC ± .015		-	RESTRICTED TO		
4 PLC ± -		WEIGHT -	-		
ANGLES ± -		CUSTOMER DRAWING			
FINISH -		SCALE 4:1	SHEET 1 OF 1	REV E	