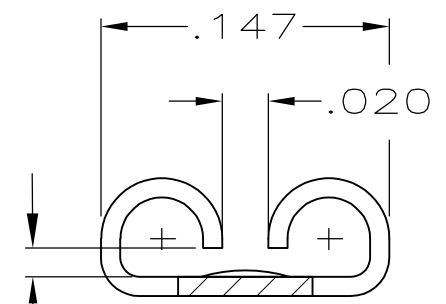
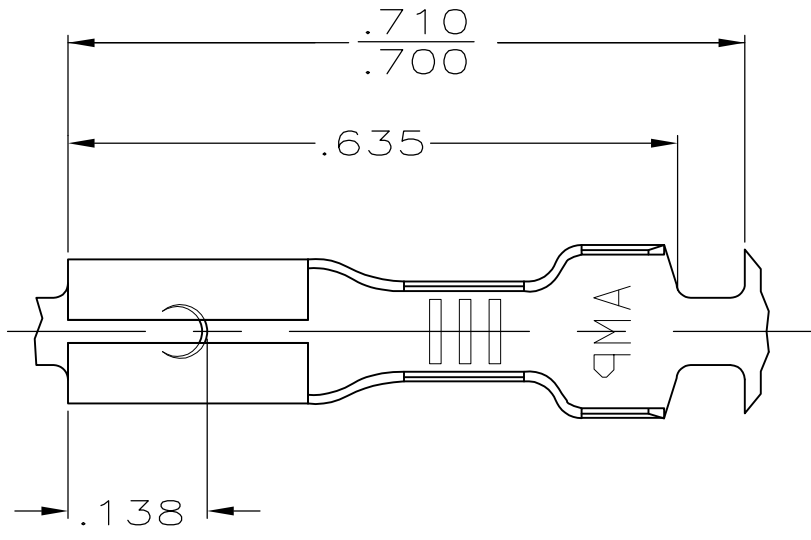


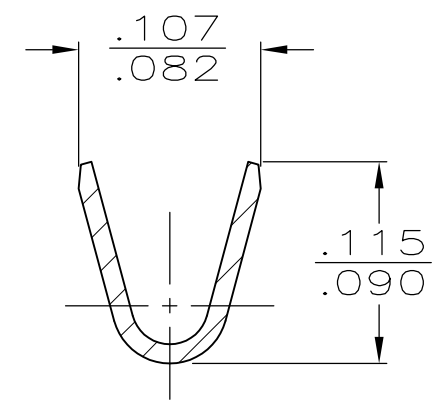
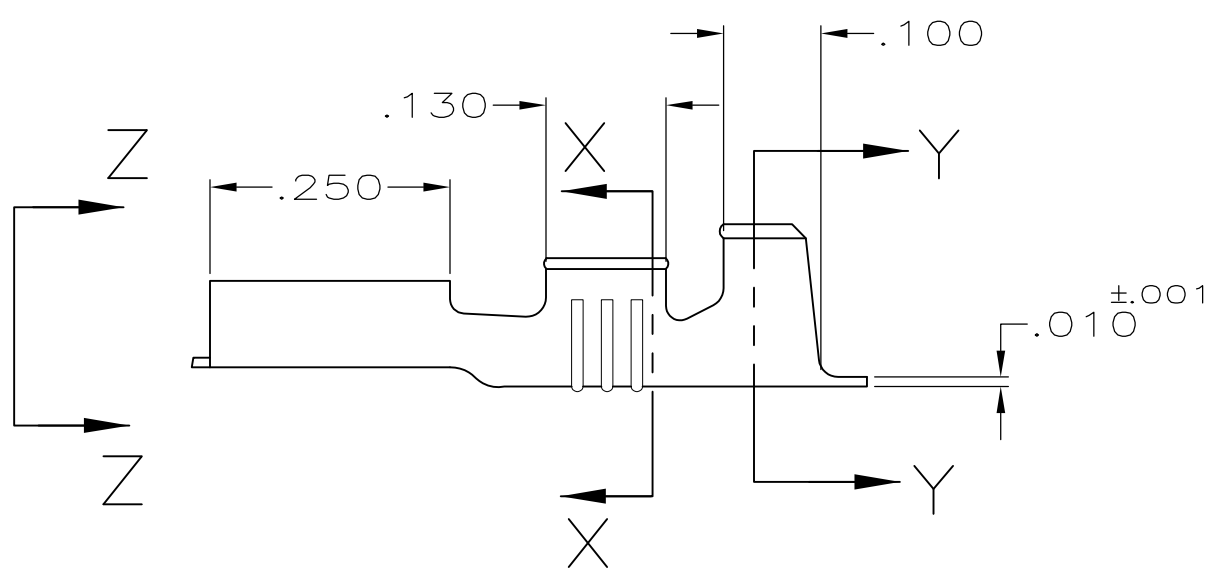
THIS DRAWING IS UNPUBLISHED. RELEASED FOR PUBLICATION
 © COPYRIGHT - By - ALL RIGHTS RESERVED.

LOC	DIST	REVISIONS					
AF	50	P	LTR	DESCRIPTION	DATE	DWN	APVD
			F	REVISED PER ECR-12-013459	27NOV2012	KH	PD

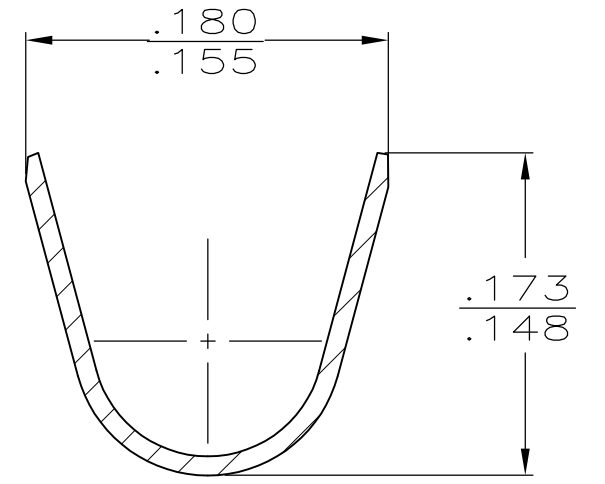
1 CONTINUOUS STRIP ON REELS



FITS .110 SERIES
FASTON TABS
VIEW Z-Z
SCALE 10:1




SECTION X-X
SCALE 10:1



SECTION Y-Y
SCALE 10:1

.090-.130	22-18 AWG	.016	62523-1
INSUL RANGE	WIRE SIZE	MATING TAB THK ±.001	PART NO

THIS DRAWING IS A CONTROLLED DOCUMENT.		DWN	JR RUTH	12/20/90	 TE Connectivity RECEPTACLE, FASTON,™ .110 SERIES								
DIMENSIONS: INCHES		CHK	MS FEHER	12/20/90									
TOLERANCES UNLESS OTHERWISE SPECIFIED:		APVD	C MEYERS	12/21/90									
0 PLC ± - 1 PLC ± - 2 PLC ± - 3 PLC ± .015 4 PLC ± - ANGLES ± -		PRODUCT SPEC		NAME									
MATERIAL	BRASS	FINISH	PRE-TIN	WEIGHT	-	SIZE	A3	CAGE CODE	00779	DRAWING NO	C-62523	RESTRICTED TO	-
CUSTOMER DRAWING						SCALE	5:1	SHEET	1 OF 1	REV	F		