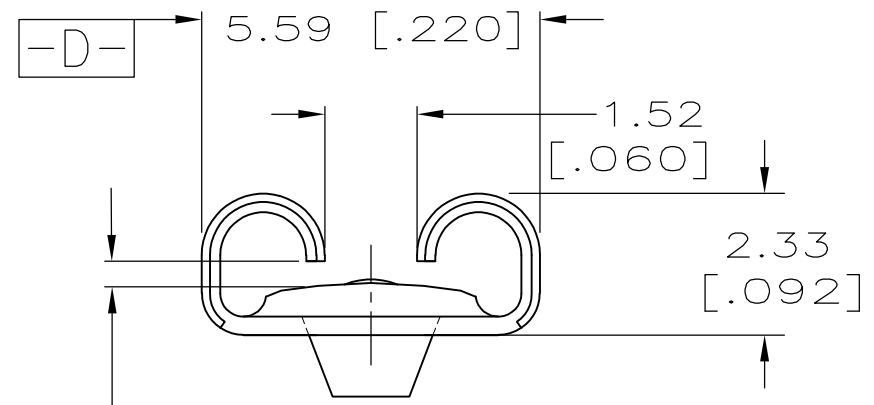
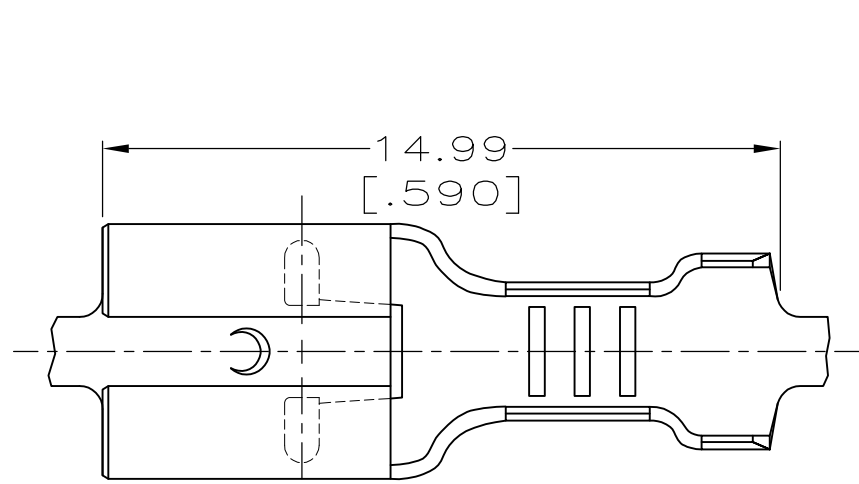


THIS DRAWING IS UNPUBLISHED. RELEASED FOR PUBLICATION  
 © COPYRIGHT - By - ALL RIGHTS RESERVED.

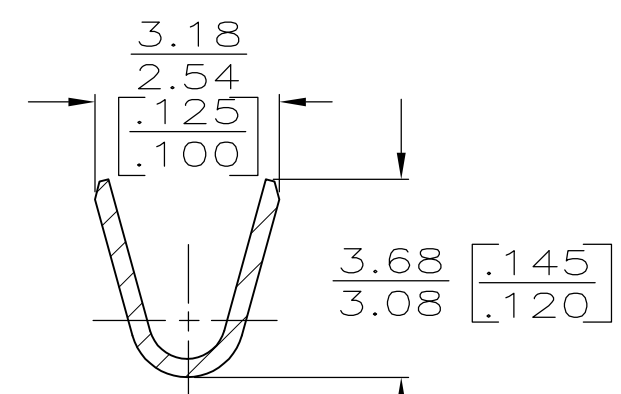
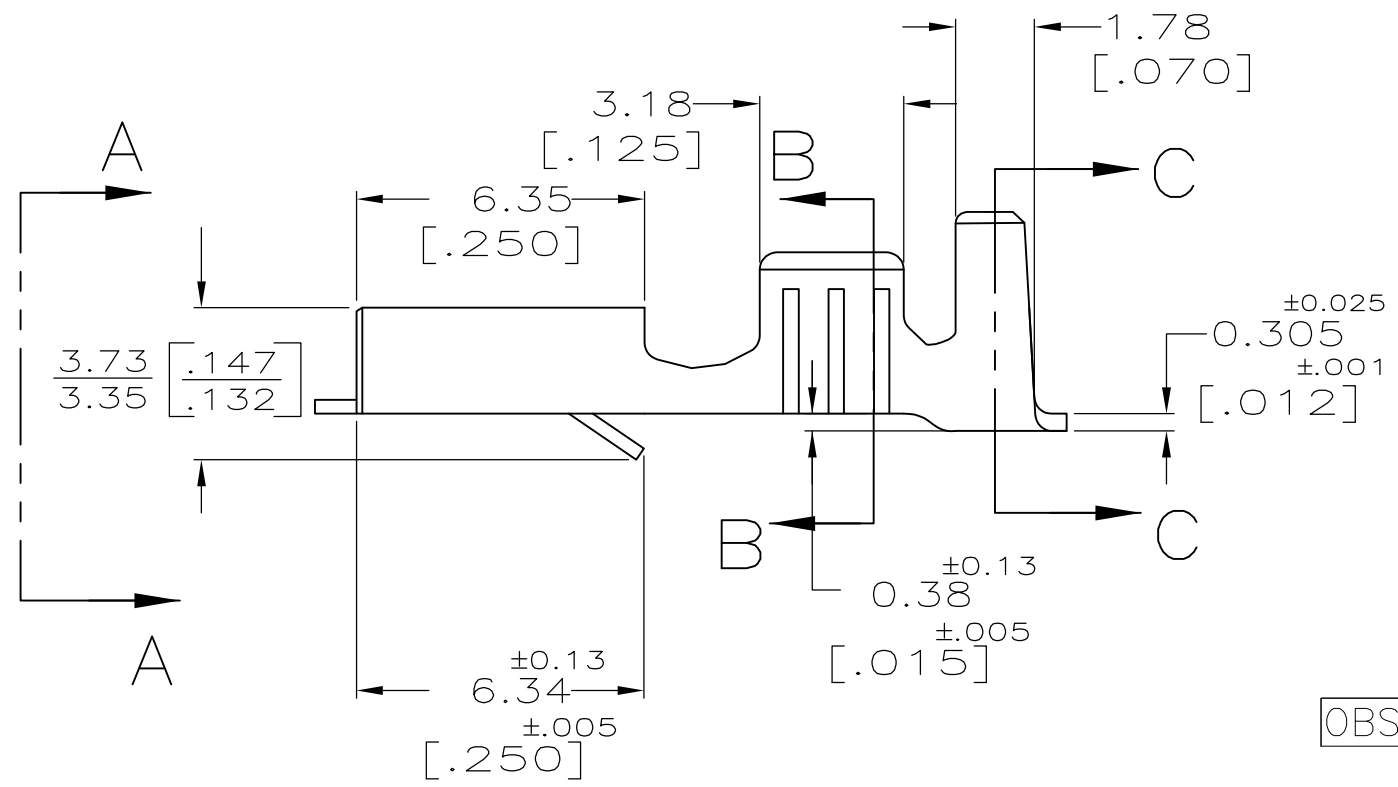
LOC	DIST	REVISIONS					
AF	50	P	LTR	DESCRIPTION	DATE	DWN	APVD
		M		REVISED PER ECR-13-005733	30AUG2013	KH	PD

1 CONTINUOUS STRIP ON REELS

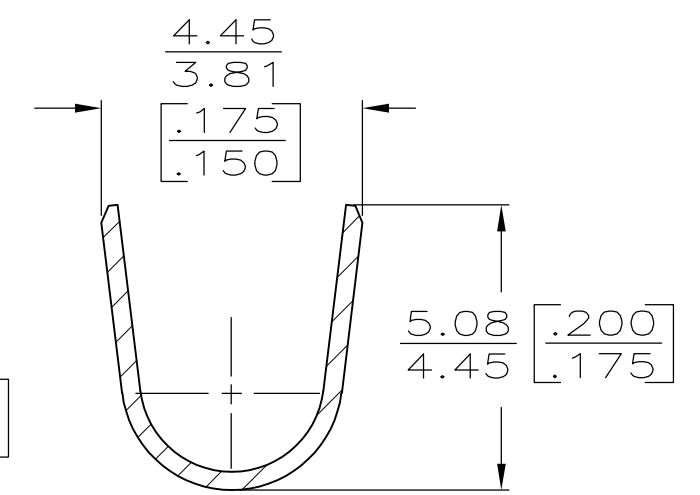


FITS 4.75 [.187] SERIES FASTON TAB

VIEW A-A  
SCALE 8:1



SECTION B-B  
SCALE 8:1



SECTION C-C  
SCALE 8:1

OBSOLETE	TIN	2.28 - 3.30	0.3 - 1.4mm <sup>2</sup>	0.51 [.020]	62529-2
	-	[.090 - .130]	[22-16]		62529-1
	FINISH	INSUL RANGE	WIRE SIZE	MATING TAB THK±0.025 [.001]	PART NO

THIS DRAWING IS A CONTROLLED DOCUMENT.		DWN	JR RUTH	5/9/90	<b>STE</b> TE Connectivity
DIMENSIONS: INCHES		CHK	MS FEHER	5/9/90	
TOLERANCES UNLESS OTHERWISE SPECIFIED:		APVD	J GILLESPIE	5/9/90	
0 PLC ± - 1 PLC ± - 2 PLC ± - 3 PLC ± 0.38 [.015] 4 PLC ± - ANGLES ± -		PRODUCT SPEC		NAME	
MATERIAL: BRASS		FINISH: SEE TABLE		APPLICATION SPEC	
		WEIGHT: -		SIZE: A3	
		CUSTOMER DRAWING		CAGE CODE: 00779	
		SCALE: 6:1		DRAWING NO: C-62529	
		SHEET: 1 OF 1		RESTRICTED TO: -	
		REV: M			