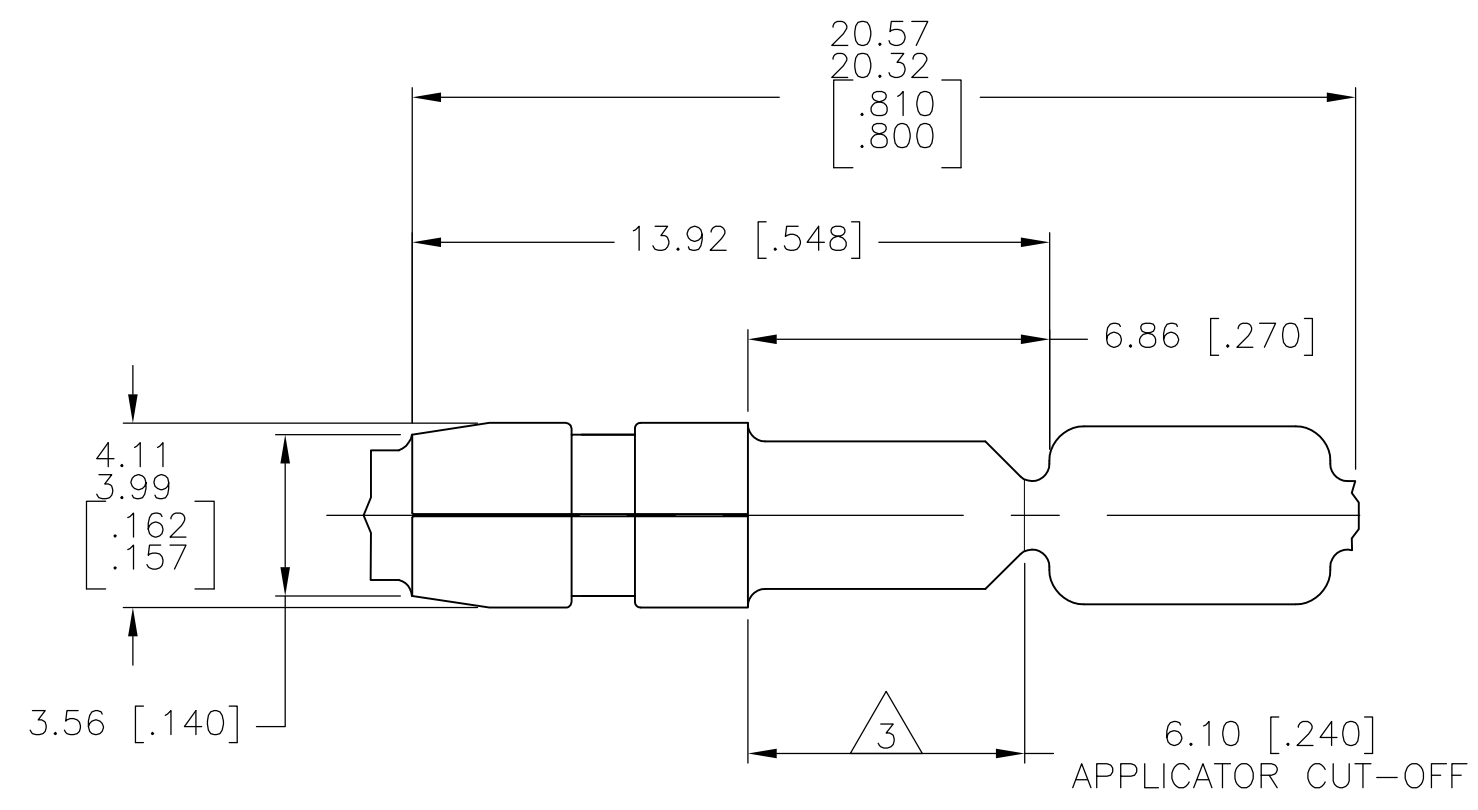
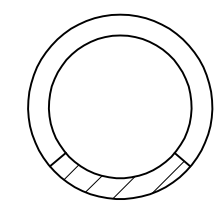
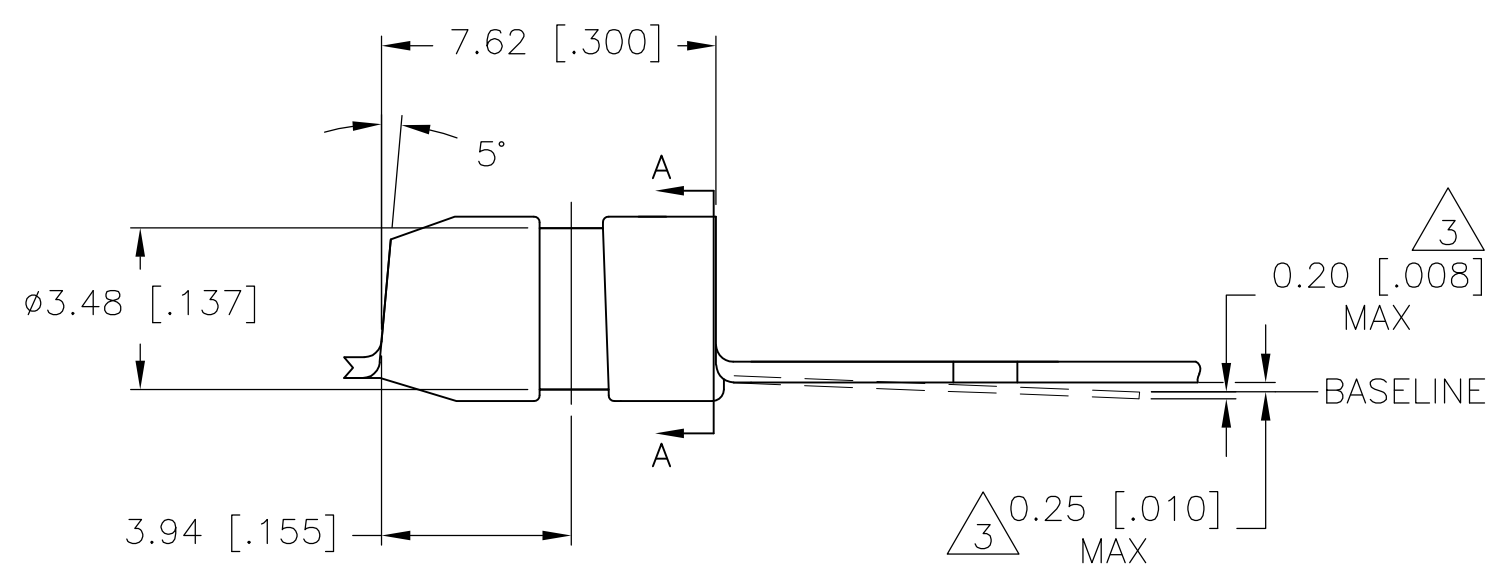


THIS DRAWING IS UNPUBLISHED. RELEASED FOR PUBLICATION  
 © COPYRIGHT BY TYCO ELECTRONICS CORPORATION. ALL RIGHTS RESERVED.

| LOC | DIST | REVISIONS   |                           |         |        |
|-----|------|-------------|---------------------------|---------|--------|
| P   | LTR  | DESCRIPTION | DATE                      | DWN     | APVD   |
| AF  | 50   | H1          | REVISED PER ECR-07-012344 | 05JUN07 | HMR DD |



- 1 DIMENSIONS IN BRACKETS ARE IN INCHES
- 2 CONTINUOUS STRIP ON REELS
- 3 0.25 [.010] MAX DIM ABOVE BASELINE,  
0.20 [.008] MAX DIM BELOW BASELINE,  
TO BE HELD OVER 6.10 [.240] APPLICATOR CUT-OFF.
- 4 REELED WITH PAPER
- 5 PRELIMINARY NOT FOR PRODUCTION.



| FINISH  | MATERIAL                     | PART NO |
|---------|------------------------------|---------|
| PRE-TIN | 0.46 [.018] BRASS            | 62829-3 |
| -       | 0.46 [.018] NI-SILVER(65-18) | 62829-2 |
| PRE-TIN | 0.46 [.018] BRASS            | 62829-1 |

|  |  |  |   |  |
|--|--|--|---|--|
| THIS DRAWING IS A CONTROLLED DOCUMENT. |  | DWN RAGHAVENDRA 05JUN07                        | Tyco Electronics Corporation<br>Harrisburg, Pa 17105-3608 |  |
| DIMENSIONS:<br>mm [INCHES]             | TOLERANCES UNLESS OTHERWISE SPECIFIED: | CHK D DECKER 05JUN07                           | APVD D DECKER 05JUN07                                     |  |
|  | 0 PLC ± -                              | NAME   |   |  |
|  | 1 PLC ± -                              | PRODUCT SPEC                                   |   |  |
|  | 2 PLC ± -                              | APPLICATION SPEC                               |   |  |
|  | 3 PLC ± 0.38 [.015]                    | SIZE CAGE CODE DRAWING NO RESTRICTED TO        |   |  |
| MATERIAL<br>SEE TABLE                  | FINISH<br>SEE TABLE                    | A3 00779 C-62829                               |   |  |
|  |  | CUSTOMER DRAWING SCALE 6:1 SHEET 1 OF 1 REV H1 |   |  |