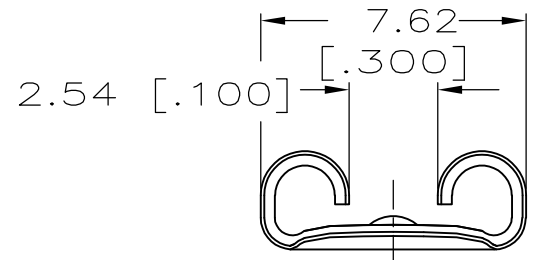
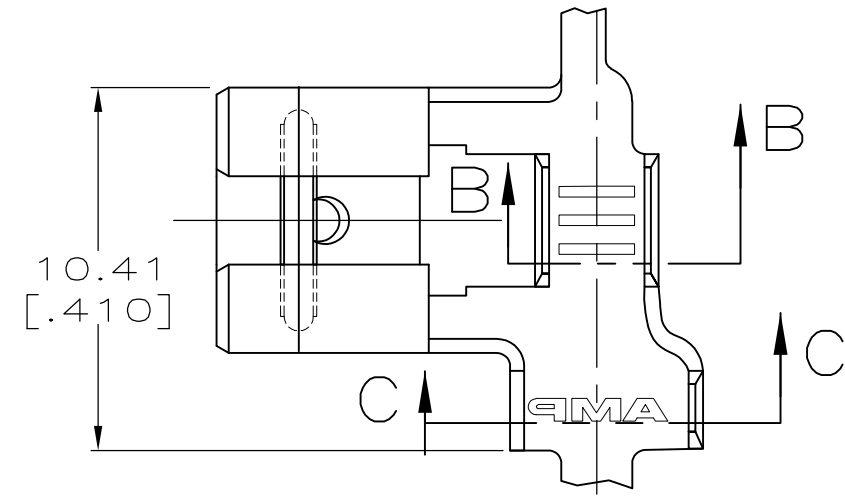
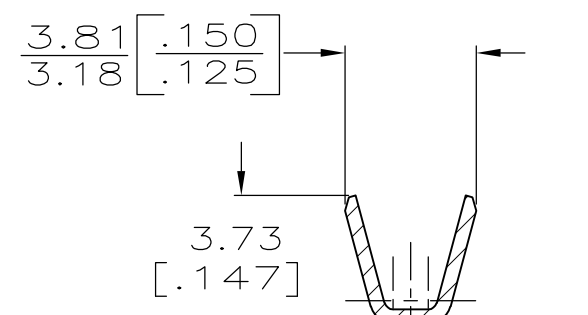
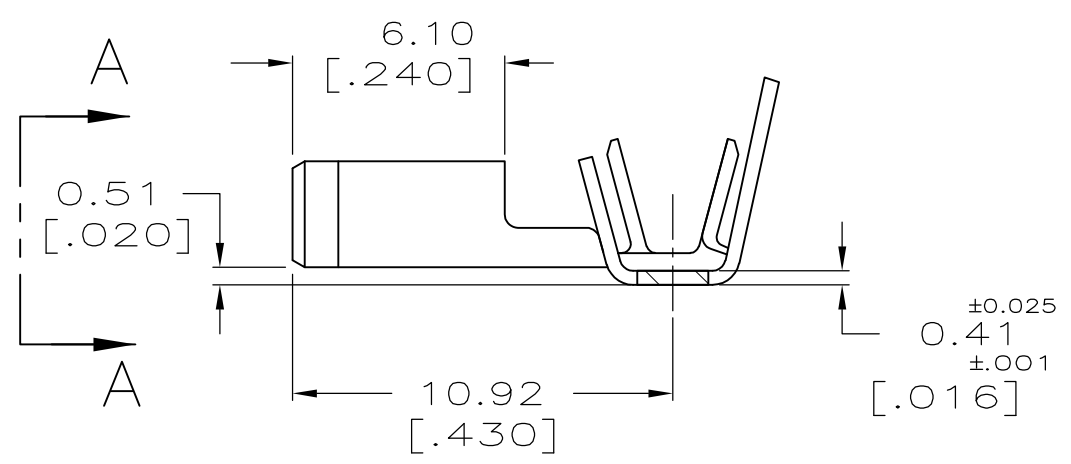


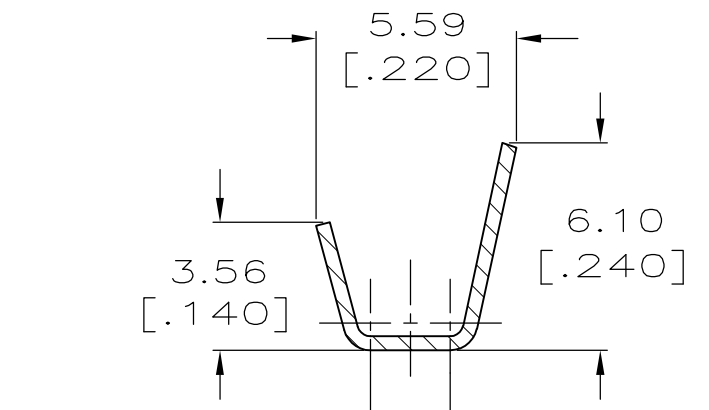
LOC		DIST		REVISIONS					
AF		50		P	LTR	DESCRIPTION	DATE	DWN	APVD
				J1		REVISED PER ECO-15-000201	07JAN15	JR	PD



VIEW A-A



SECTION B-B



SECTION C-C

- 1 CONTINUOUS STRIP ON REELS.
- 2 MATING TAB THK IS 0.81±0.025 [.032±.001]
- 3 WIRE SIZE IS [#18-#14] AWG.
- 4 INSULATION RANGE IS 2.79-4.06 [.110-.160] DIA.
- △5 0.00381 [.000150] MIN TIN OVER
0.00254 [.000100] MIN COPPER.
- △6 PRELIMINARY - NOT FOR PRODUCTION

TIN OVER COPPER	△5	△6	63009-3
TIN			63009-2
-			63009-1
FINISH			PART NO

THIS DRAWING IS A CONTROLLED DOCUMENT.		DWN	JR RUTH	4/9/91	TE Connectivity RECEPTACLE, FASTON, FLAG, 6.35 [.250] SERIES
DIMENSIONS: mm [INCHES]		CHK	MS FEHER	4/9/91	
TOLERANCES UNLESS OTHERWISE SPECIFIED:		APVD	C MEYERS	4/9/91	
0 PLC ± - 1 PLC ± - 2 PLC ± - 3 PLC ± 0.38 [.015] 4 PLC ± - ANGLES ± -		PRODUCT SPEC	-	-	
MATERIAL	BRASS	FINISH	SEE TABLE	WEIGHT	-
CUSTOMER DRAWING		SIZE	A3	CAGE CODE	00779
		DRAWING NO	C-63009		RESTRICTED TO
		SCALE	5:1	SHEET	1 OF 1
		REV	J1		