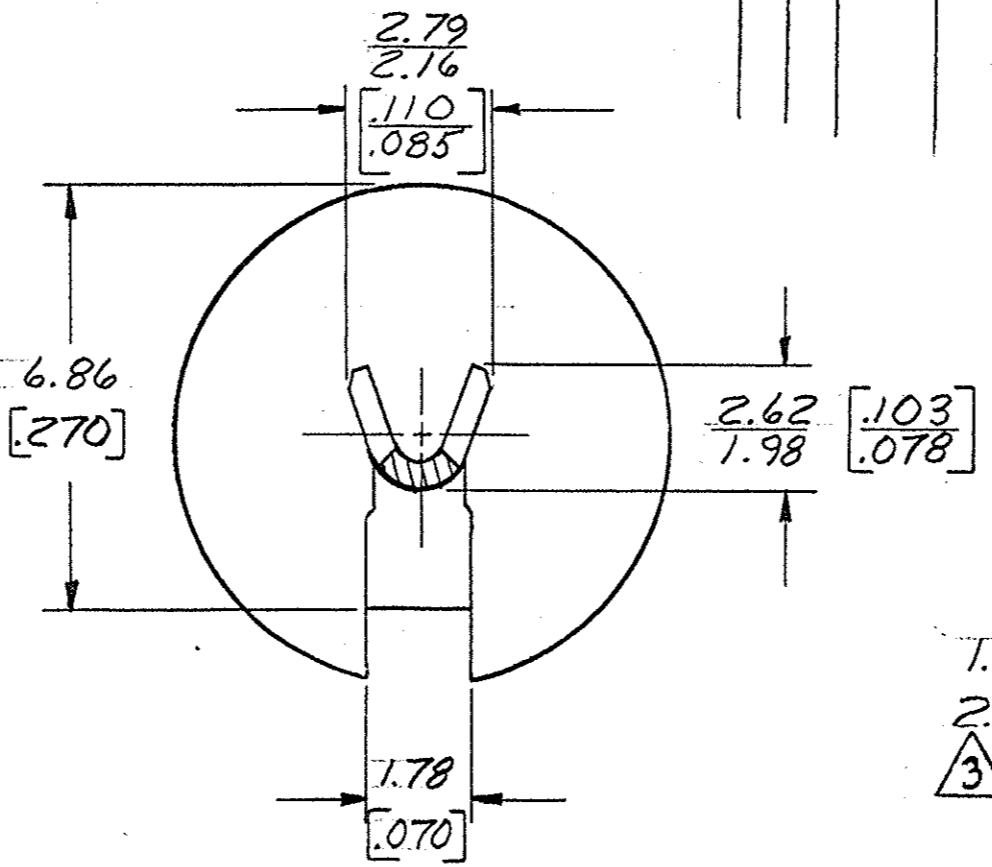
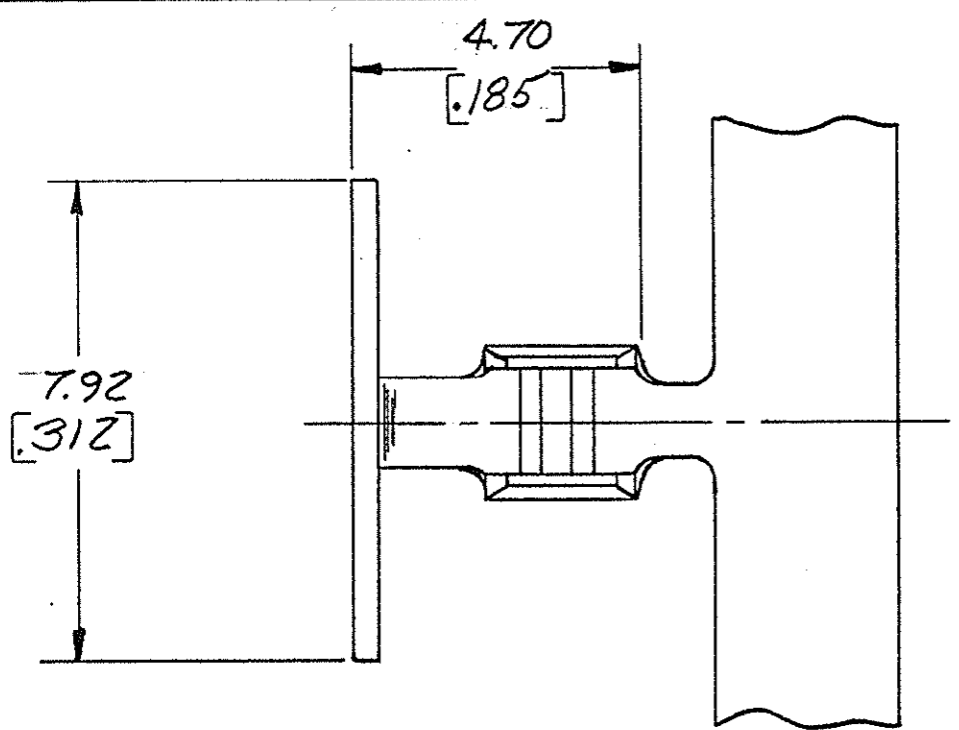
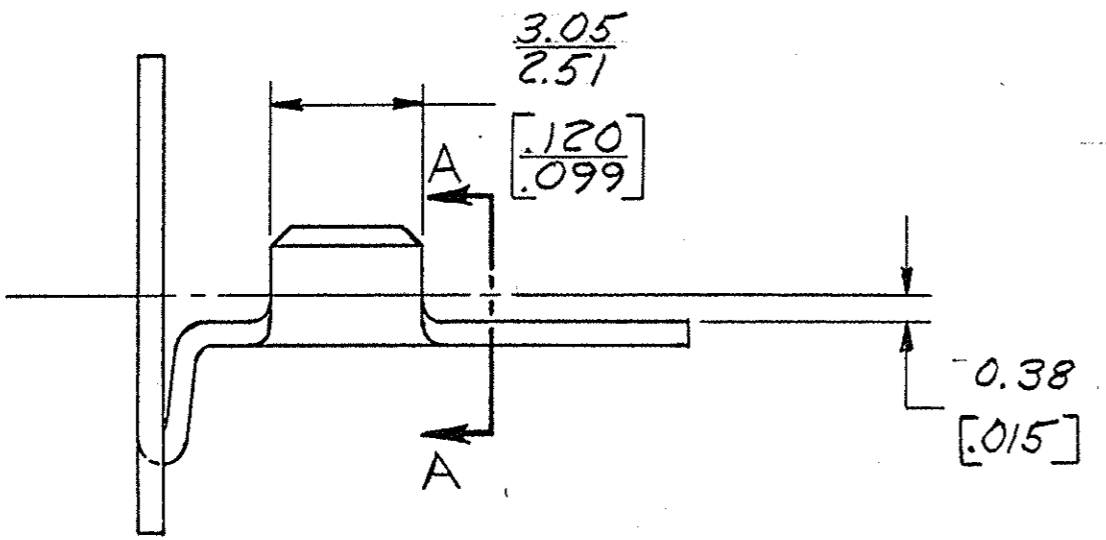


© COPYRIGHT 1980 BY AMP INCORPORATED, HARRISBURG, PA.  
 ALL INTERNATIONAL RIGHTS RESERVED. AMP INCORPORATED PRODUCTS  
 COVERED BY U. S. AND FOREIGN PATENTS AND/OR PATENTS PENDING.

		2		1		LOC AF	DIST 50
REVISIONS							
REV	ZONE	LTR	DESCRIPTION	DATE	APPROVED		
1	A1	A	ADDED - 2 PER ECR-06-010726	4-5-06	MSF/RAL		



SECT A-A



- 1. DIMS. IN BRACKETS ARE IN INCHES
- 2. CONTINUOUS STRIP ON REELS.
- 3. PRELIMINARY - NOT FOR PRODUCTION.

PRE-TIN	0.2-0.6 mm <sup>2</sup> [#24 - #20]	.63020-2/3
NONE	0.2-0.6 mm <sup>2</sup> [#24 - #20]	.63020-1
FINISH	WIRE RANGE	PART NO

**METRIC**

UNLESS OTHERWISE SPECIFIED DIMENSIONS ARE IN INCHES - MM TOLERANCES ON: DECIMALS ±0.38 [015] ANGLES ±	CONTRACT NO
MATERIAL 0.41 [.016] BRASS	DRG Schaffhauser 4/27/80
FINISH SEE TABLE	CHK G. Yetter 7/7/80
	APPD D. Schwenk 7-7-80
	APPD Jon Fortuna 7-8-80
	DSGN APPD
	OTHER APPD

<b>AMP</b>   AMP INCORPORATED Harrisburg, Pa.	
NAME BRUSH CONTACT	
SIZE B	CODE IDENT NO 00779
DRAWING NO 63020	
SCALE	SHEET