

THIS DRAWING IS UNPUBLISHED.

RELEASED FOR PUBLICATION


ALL RIGHTS RESERVED.

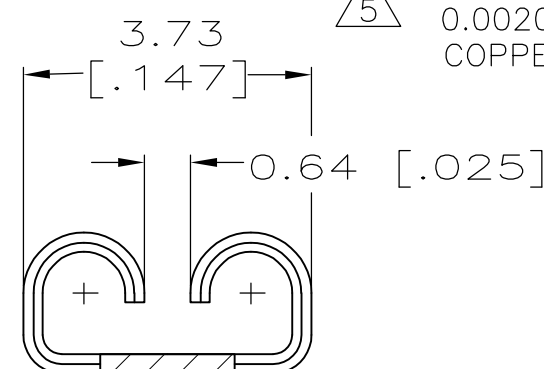
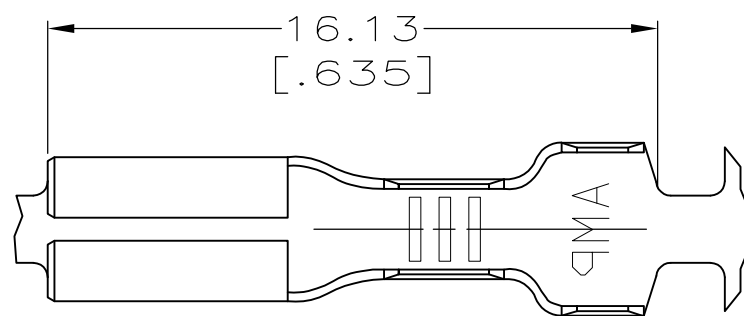
© COPYRIGHT - By -

LOC AF DIST 50

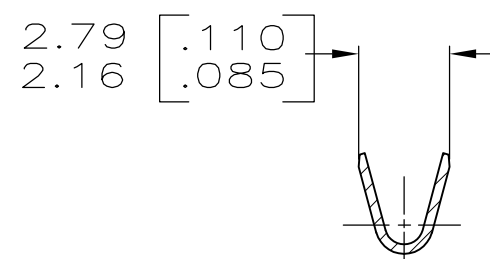
REVISIONS

P	LTR	DESCRIPTION	DATE	DWN	APVD
D		REVISED PER ECR-12-013459	27NOV2012	KH	PD

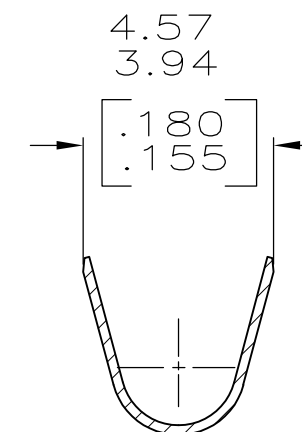
- CONTINUOUS STRIP ON REELS.
- MATING TAB THK IS  $0.81 \pm 0.025$  [ $.032 \pm .001$ ].
- WIRE SIZE IS [#22-#18] AWG.
- INSULATION RANGE IS 2.29-3.30 [ $.090-.130$ ] DIA.
-  0.002032 [ $.000080$ ] MIN TIN OVER COPPER



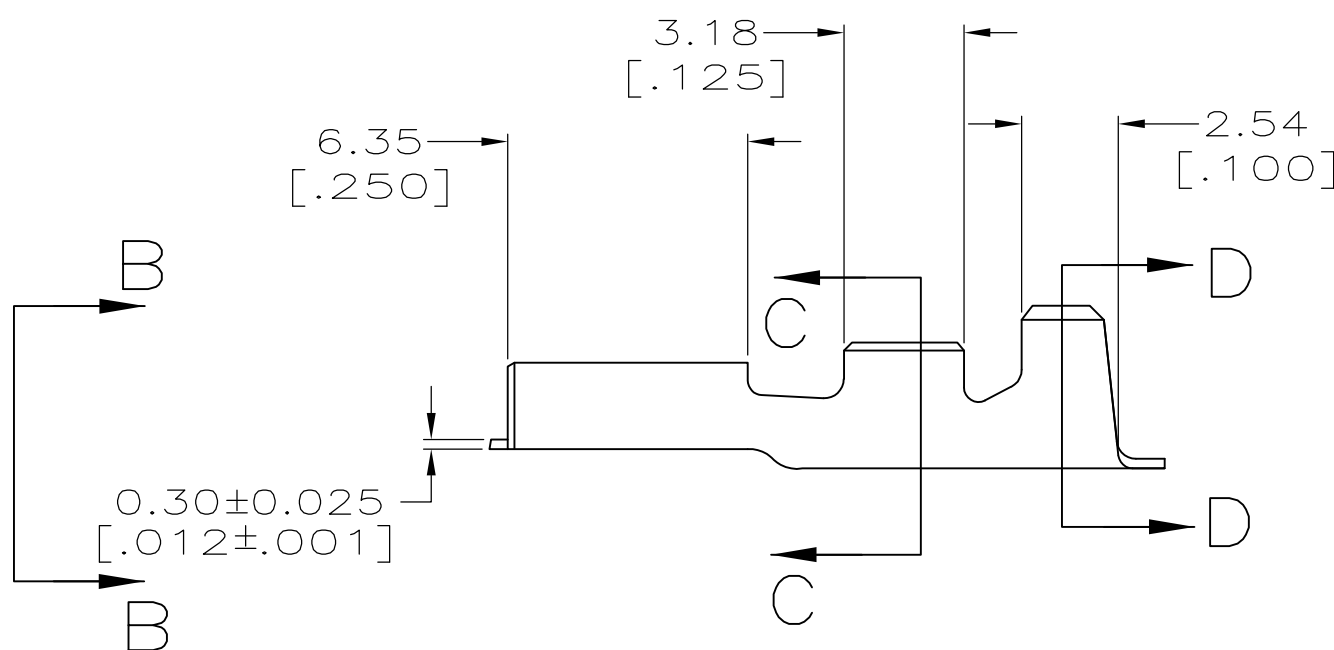
VIEW B-B  
SCALE 10:1




SECTION C-C



SECTION D-D



63021-1  
PART NO.

THIS DRAWING IS A CONTROLLED DOCUMENT.		DWN JR RUTH 5/23/97	 TE Connectivity		
DIMENSIONS: mm [INCHES]		CHK P FORTNEY 5/23/97			
TOLERANCES UNLESS OTHERWISE SPECIFIED:		APVD P DESANTIS 5/23/97	NAME RECEPTACLE, FASTON, 2.79 [.110] SERIES		
0 PLC ± -		PRODUCT SPEC -	SIZE A3	CAGE CODE 00779	DRAWING NO C-63021
1 PLC ± -		APPLICATION SPEC -	RESTRICTED TO -		
2 PLC ± 0.38 [.015]		WEIGHT -	SCALE 5:1 SHEET 1 OF 1 REV D		
3 PLC ± -		CUSTOMER DRAWING			
4 PLC ± -					
ANGLES ± -					
MATERIAL BRASS		FINISH 