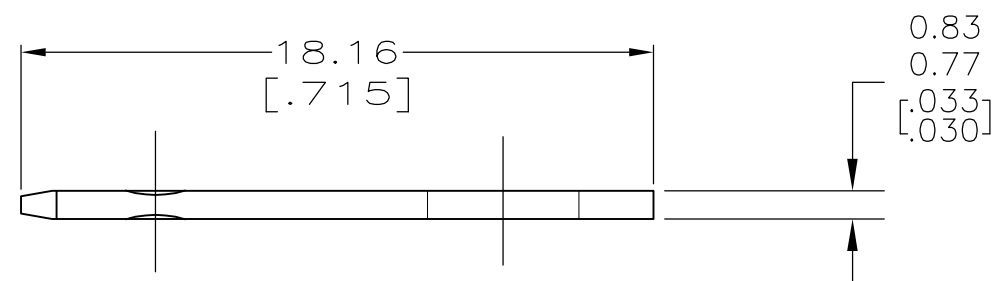
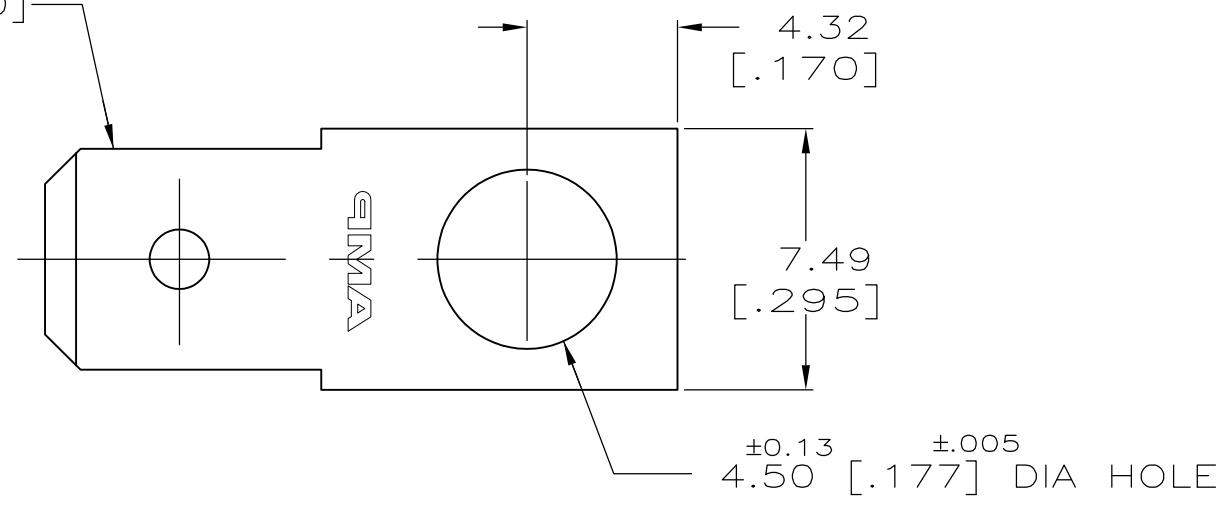


THIS DRAWING IS UNPUBLISHED. RELEASED FOR PUBLICATION
 © COPYRIGHT - By - ALL RIGHTS RESERVED.

LOC	DIST	REVISIONS			
P	LTR	DESCRIPTION	DATE	DWN	APVD
AF	50	G1	REVISED PER ECO-11-005027	12MAR11	RK HMR

- 1 SUPPLIED IN LOOSE PIECE.
- 2 PRELIMINARY - NOT FOR PRODUCTION

FITS 6.35 [.250]
 SERIES FASTON
 RECEPTACLE



BRIGHT DIP CLEAN	2 63038-3
NONE	63038-2
TIN	63038-1
FINISH	PART NO.

THIS DRAWING IS A CONTROLLED DOCUMENT.		DWN JR RUTH 11/12/91	STE TE Connectivity	
DIMENSIONS: mm[INCHES]		CHK MS FEHER 11/12/91		
TOLERANCES UNLESS OTHERWISE SPECIFIED:		APVD R KUZO 11/12/91	NAME	
0 PLC ± -		PRODUCT SPEC	TAB, FASTON, 6.35 [.250] SERIES	
1 PLC ± -		APPLICATION SPEC	SIZE	RESTRICTED TO
2 PLC ± 0.25 [.010]		WEIGHT -	A3	—
3 PLC ± -		CUSTOMER DRAWING	CAGE CODE 00779	DRAWING NO C-63038
4 PLC ± -		SCALE 5:1	SHEET 1 of 1	REV G1
ANGLES ± -				
MATERIAL 082 BRASS	FINISH SEE TABLE			