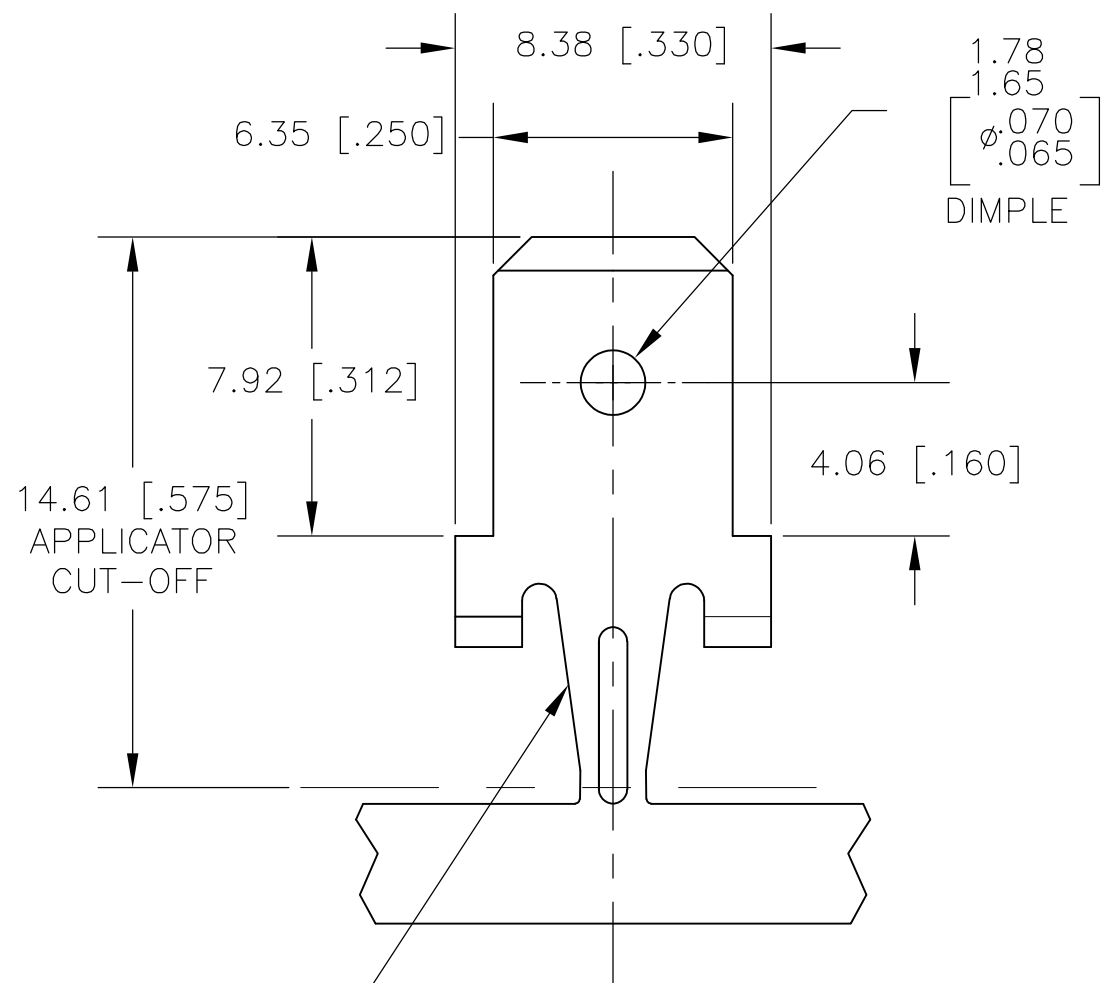
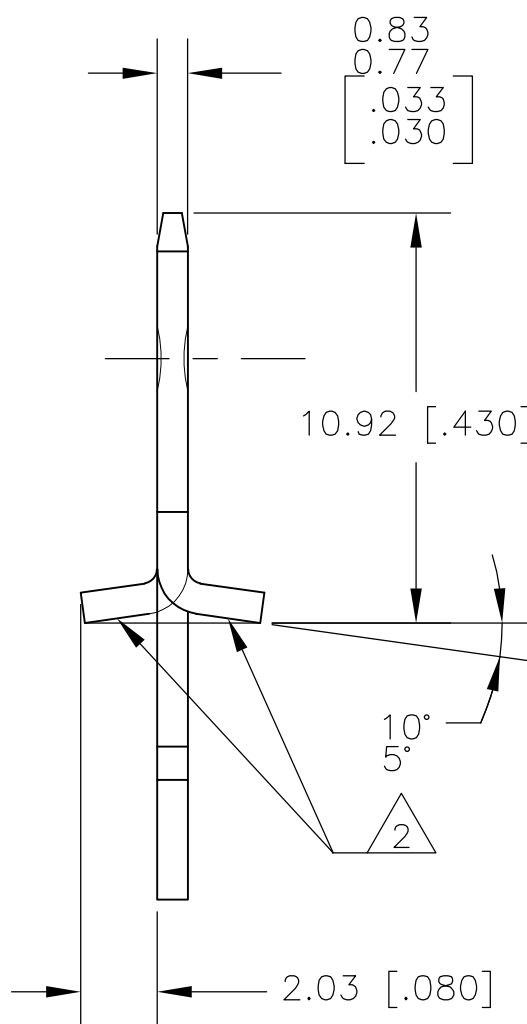


THIS DRAWING IS UNPUBLISHED. RELEASED FOR PUBLICATION
 © COPYRIGHT - By - ALL RIGHTS RESERVED.

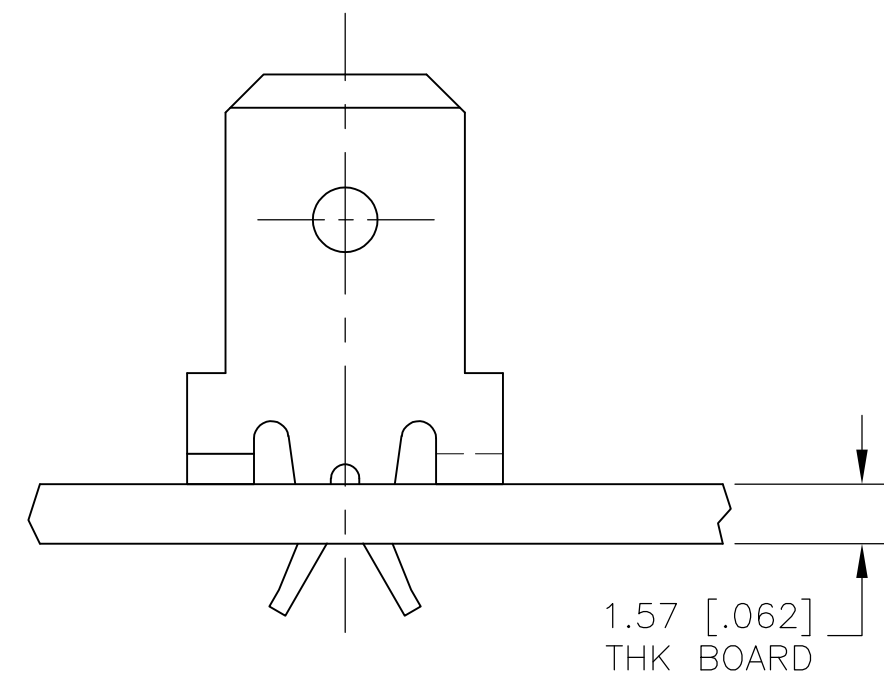
LOC	DIST	REVISIONS			
P	LTR	DESCRIPTION	DATE	DWN	APVD
AF	50	L	REVISED PER ECR-13-001204	21JUN13	KH PD



TERMINAL TO BE INSERTED INTO A 2.54±0.05 [.100±.002] DIA HOLE IN PC BOARD



- 1 CONTINUOUS STRIP ON REELS.
- 2 STABILIZERS BENT IN OPPOSITE DIRECTION. BOTH STRIPS MUST BE IDENTICAL.
- 3 0.00381 [.000150] MIN TIN PL OVER 0.00254 [.000100] MIN COPPER PL.



TERMINAL INSERTED AND CLINCHED IN PC BOARD

63067-1	63066-1
L.P. P/N	PART NO.

THIS DRAWING IS A CONTROLLED DOCUMENT.		DWN	JR RUTH	20FEB01	 TE Connectivity	NAME		TAB, FASTON, PC BOARD			
DIMENSIONS: mm [INCHES]		CHK	MS FEHER	20FEB01		PRODUCT SPEC		6.35 [.250] SERIES			
TOLERANCES UNLESS OTHERWISE SPECIFIED:		APVD	N DEIBERT	20FEB01		APPLICATION SPEC		RESTRICTED TO			
0 PLC ± - 1 PLC ± - 2 PLC ± 0.38 [.015] 3 PLC ± - 4 PLC ± - ANGLES ± -		MATERIAL		WEIGHT		SIZE	CAGE CODE	DRAWING NO	RESTRICTED TO		
BRASS		FINISH		-		A3	00779	C-63066	-		
CUSTOMER DRAWING						SCALE	5:1	SHEET	1 OF 1	REV	L