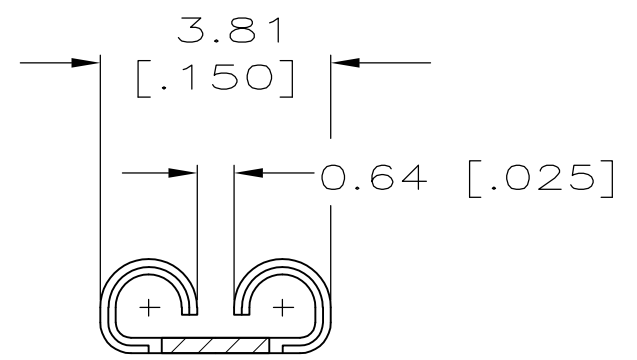
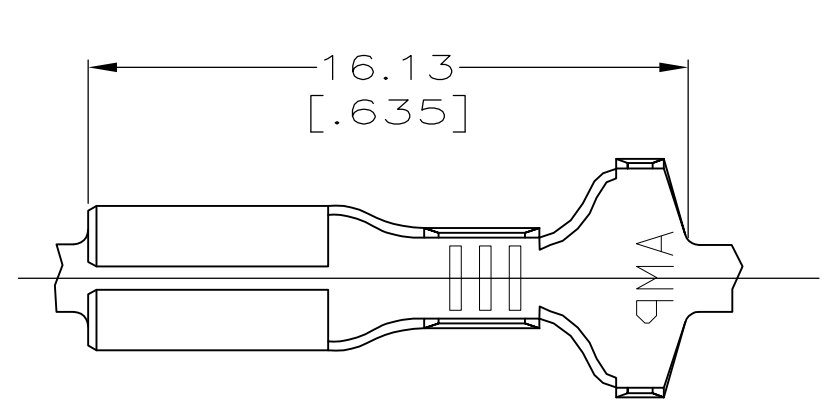


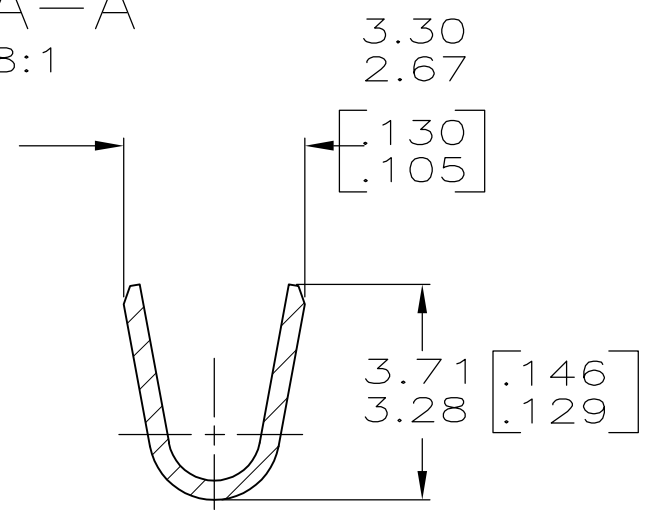
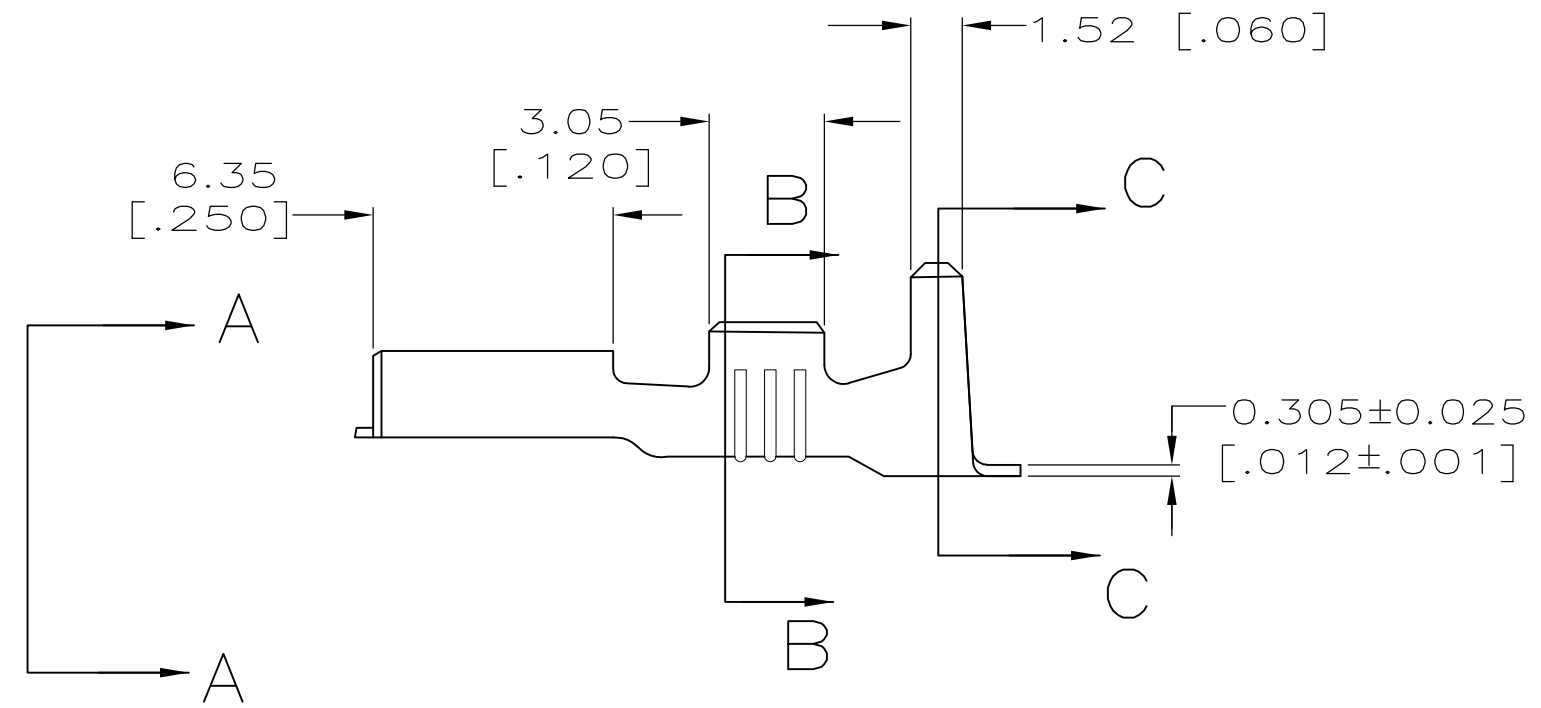
THIS DRAWING IS UNPUBLISHED. RELEASED FOR PUBLICATION  
 © COPYRIGHT - By - ALL RIGHTS RESERVED.

LOC	DIST	REVISIONS			
P	LTR	DESCRIPTION	DATE	DWN	APVD
AF	50	E	REVISED PER ECR-12-013459	27NOV2012	KH PD

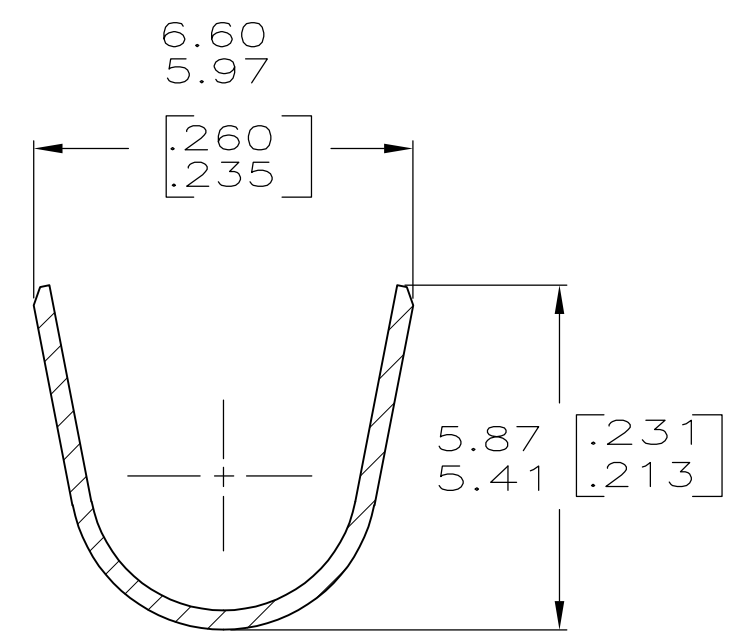
- CONTINUOUS STRIP ON REELS.
- ACCEPTS WIRE SIZE [#18-#14] AWG.
- INSULATION RANGE TO BE 2.79-4.83 [.110-.190] DIA.
- MATING TAB THK TO BE  $0.813 \pm 0.025$  [.032 ± .001].



VIEW A-A  
SCALE 8:1



SECTION B-B  
SCALE 8:1



SECTION C-C  
SCALE 8:1

63093-1  
PART NO

THIS DRAWING IS A CONTROLLED DOCUMENT.		DWN	JR RUTH	2/8/96	TE Connectivity						
DIMENSIONS: mm [INCHES]		CHK	P FORTNEY	2/8/96				NAME RECEPTACLE, FASTON, 2.79 [.110] SERIES			
TOLERANCES UNLESS OTHERWISE SPECIFIED:		APVD	P DESANTIS	2/8/96	PRODUCT SPEC	APPLICATION SPEC	SIZE				CAGE CODE
0 PLC ± - 1 PLC ± - 2 PLC ± 0.38 [.015] 3 PLC ± - 4 PLC ± - ANGLES ± -		MATERIAL		FINISH		114-2036		A3 00779 C-63093		—	
BRASS		TIN OVER COPPER		CUSTOMER DRAWING		WEIGHT		SCALE		SHEET	REV
						-		5:1		1 OF 1	E