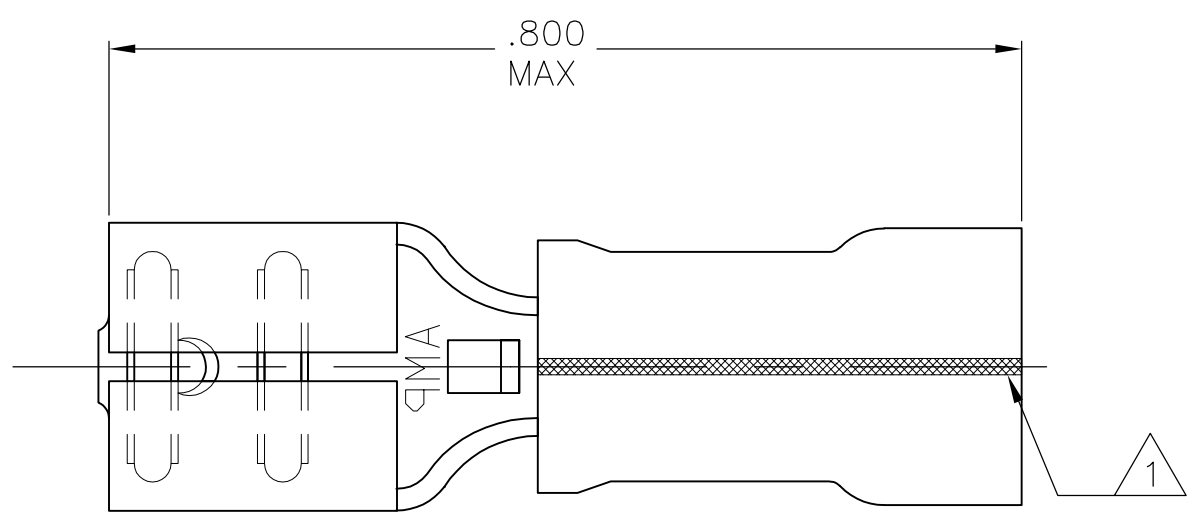
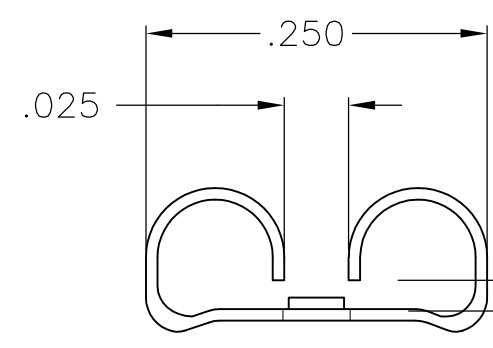
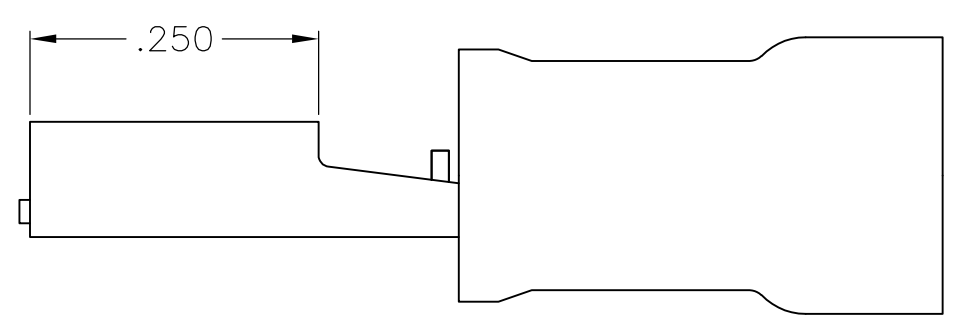


THIS DRAWING IS UNPUBLISHED. RELEASED FOR PUBLICATION
 © COPYRIGHT - By - ALL RIGHTS RESERVED.

LOC	DIST	REVISIONS			
P	LTR	DESCRIPTION	DATE	DWN	APVD
G	14	J	REVISED PER ECO-14-015277	20FEB2015	NK DR



- 1 3 BLACK STRIPES (120° APART) ON SLEEVE WILL BE POSITIONED AT ANY LOCATION WHEN ASSEMBLED TO BODY.
- 2 INSULATION RANGE .135 MAX.
- 3 TAB THK.020±.001.



FITS "205" SERIES FASTON TAB REFER TO CP-15466 FOR DETAILS

-	LOOSE PIECE	640174-1
QTY	PACKAGE TYPE	PART NO

AMP INCORPORATED CUSTOMER SERVICE SYSTEM		MAX RECOMMENDED OPERATING TEMPERATURE: -	THIS DRAWING IS A CONTROLLED DOCUMENT.		DWN L OLMEDA 26JUN95	TE Connectivity RECEPTACLE, 205 SERIES, FASTON™, PIDG™, WIRE SIZE, 22-18 AWG					
FOR ADDITIONAL PRODUCT INFORMATION OR COPIES OF DRAWINGS AND TECHNICAL DOCUMENTS	PRODUCT INFORMATION CENTER 1-800-522-6752	VOLTAGE RATING: -	DIMENSIONS: mm [INCHES]	TOLERANCES UNLESS OTHERWISE SPECIFIED:	CHK M ELLIS 26JUN95					NAME	
FOR APPLICATION TOOLING INFORMATION	TOOLING ASSISTANCE CENTER 1-800-722-1111	CIRCULAR MIL AREA: -		0 PLC ± - 1 PLC ± - 2 PLC ± 0.38[.015] 3 PLC ± - 4 PLC ± - ANGLES ± -	APVD B BARE 26JUN95	PRODUCT SPEC					
FOR ORDER ENTRY	1-800-526-5142			MATERIAL BODY,BRASS .016 SLV, NYLON, COLOR, RED	FINISH BODY,TIN	APPLICATION SPEC			RESTRICTED TO		
					WEIGHT -	SIZE A3	CAGE CODE 00779	DRAWING NO C-640174	SCALE NTS	SHEET 1 OF 1	REV J