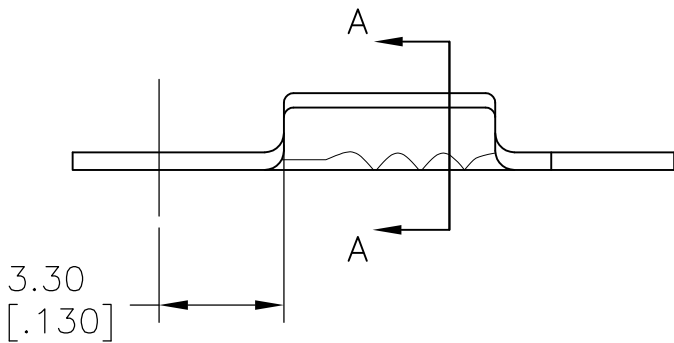
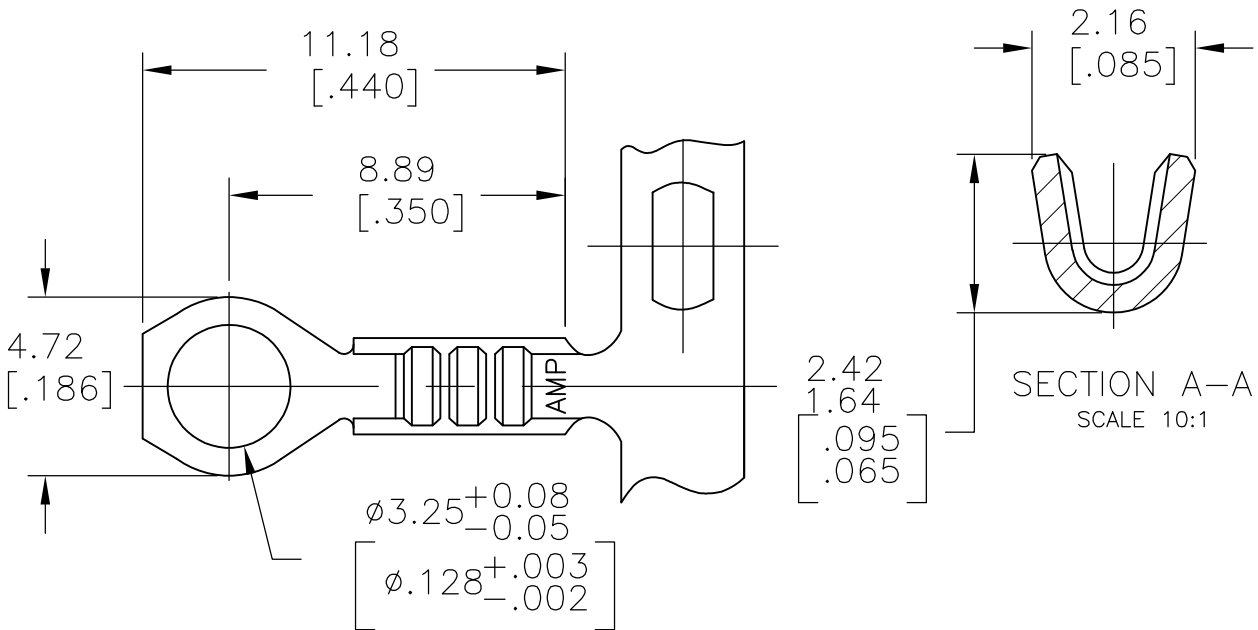


LOC	DIST	REVISIONS					
AF	50	P	LTR	DESCRIPTION	DATE	DWN	APVD
		A1		REVISED PER ECR-10-019776	22OCT10	HMR	PD

- 1 TO BE REELED FOR USE IN MINI-APPLICATOR
- 2 CONTINUOUS STRIP ON REELS
- 3 WIRE RANGE: TINSEL WIRE
- 4 INSULATION RANGE: #.035-.030



OBSOLETE	<del>640189-2</del>
	640189-1
PART NUMBER	

THIS DRAWING IS UNPUBLISHED.

ALL INTERNATIONAL RIGHTS RESERVED.

COPYRIGHT - BY TYCO ELECTRONICS CORPORATION.

DIMENSIONS: mm [INCHES]	DWN RAGHAVENDRA 22OCT10	MATERIAL .014 BRASS	FINISH -1 TIN -2 GOLD
	CHK DESANTIS PETER 22OCT10	Tyco Electronics Corporation Harrisburg, PA 17105-3608	
TOLERANCES UNLESS OTHERWISE SPECIFIED:	APVD DESANTIS PETER 22OCT10	NAME RING	
0 PLC ± -	PRODUCT SPEC -	SIZE A4	CAGE CODE 00779
1 PLC ± -	APPLICATION SPEC -	DRAWING NO C-640189	RESTRICTED TO -
2 PLC ± -	WEIGHT -	SCALE 4:1	
3 PLC ± .015		SHEET 1 OF 1	
4 PLC ± -		REV A1	
ANGLES ±		CUSTOMER DRAWING	