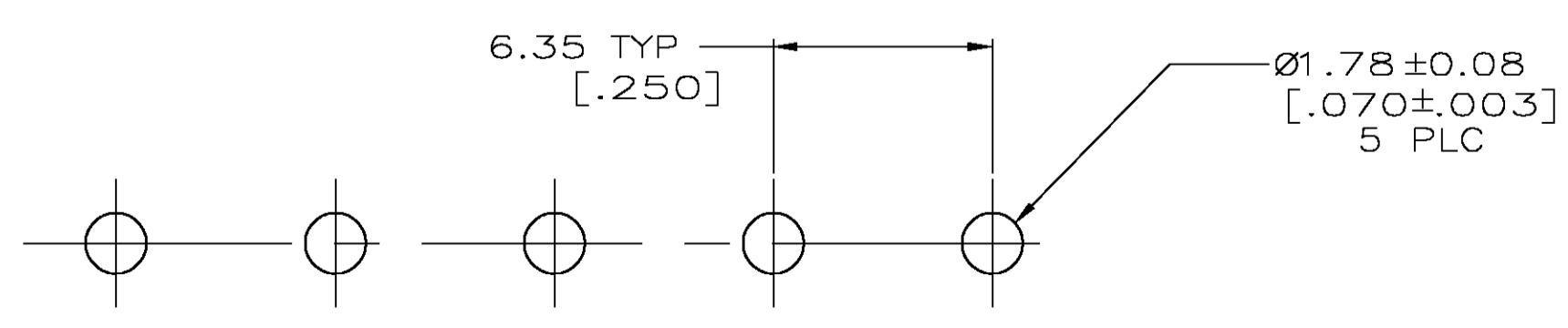
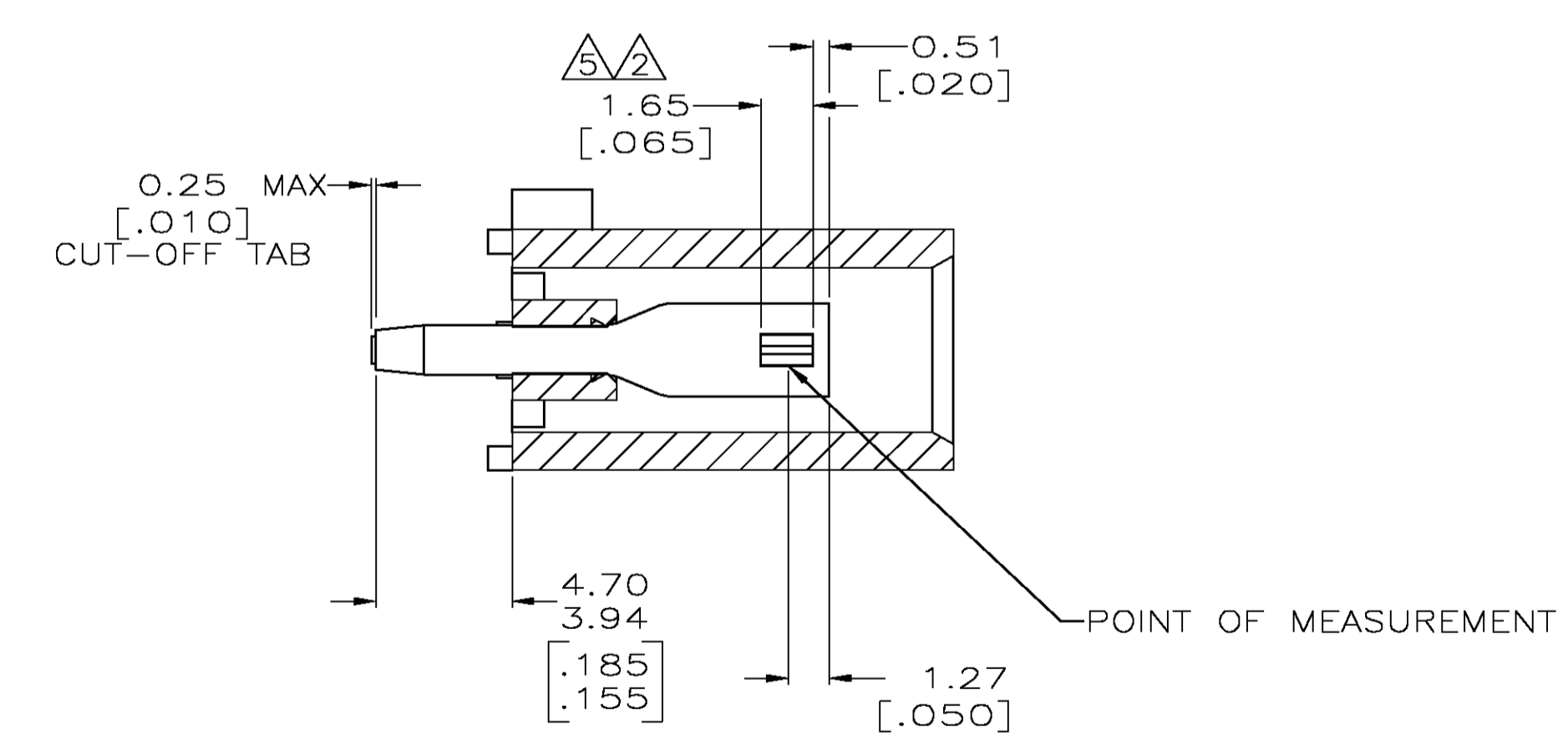
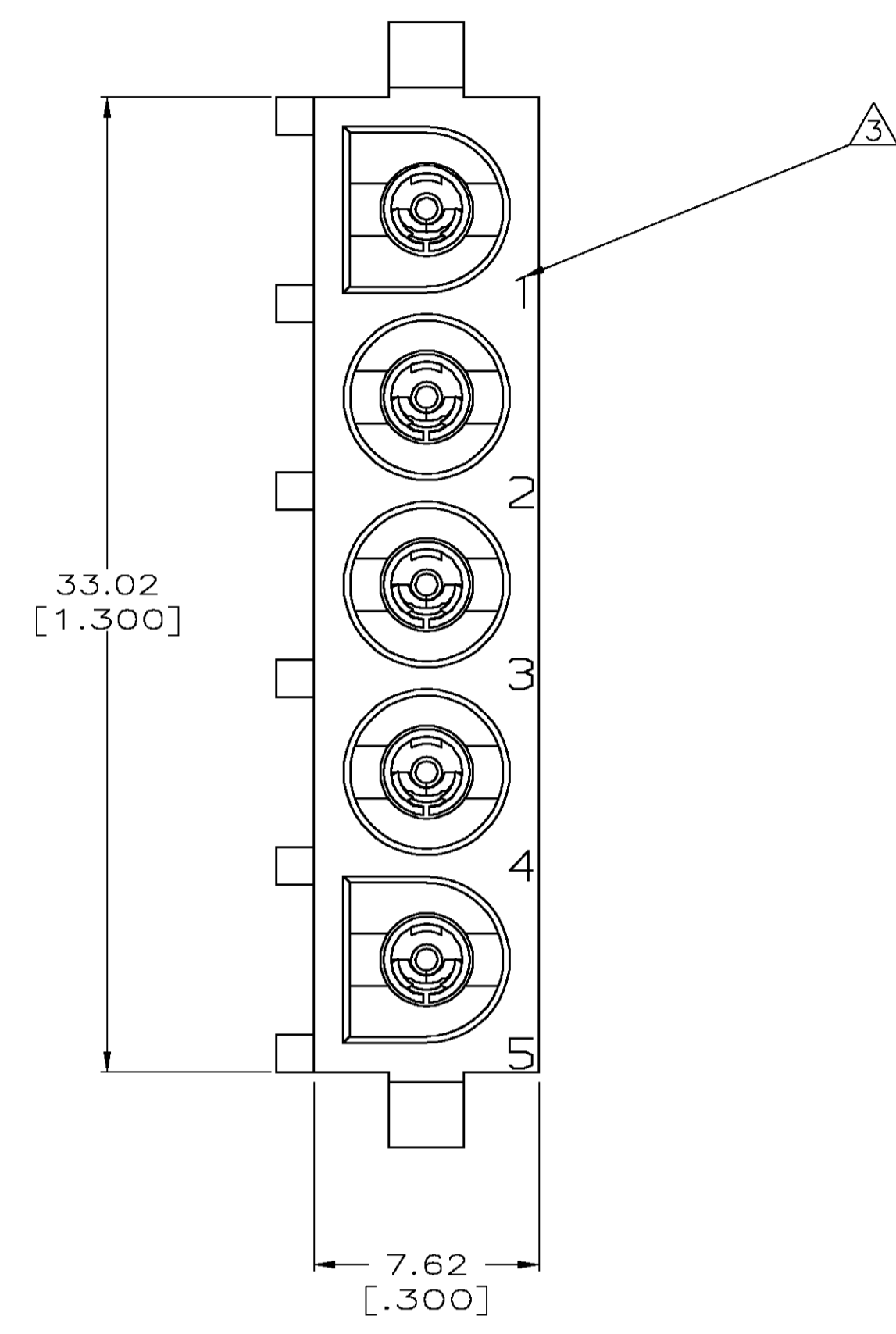
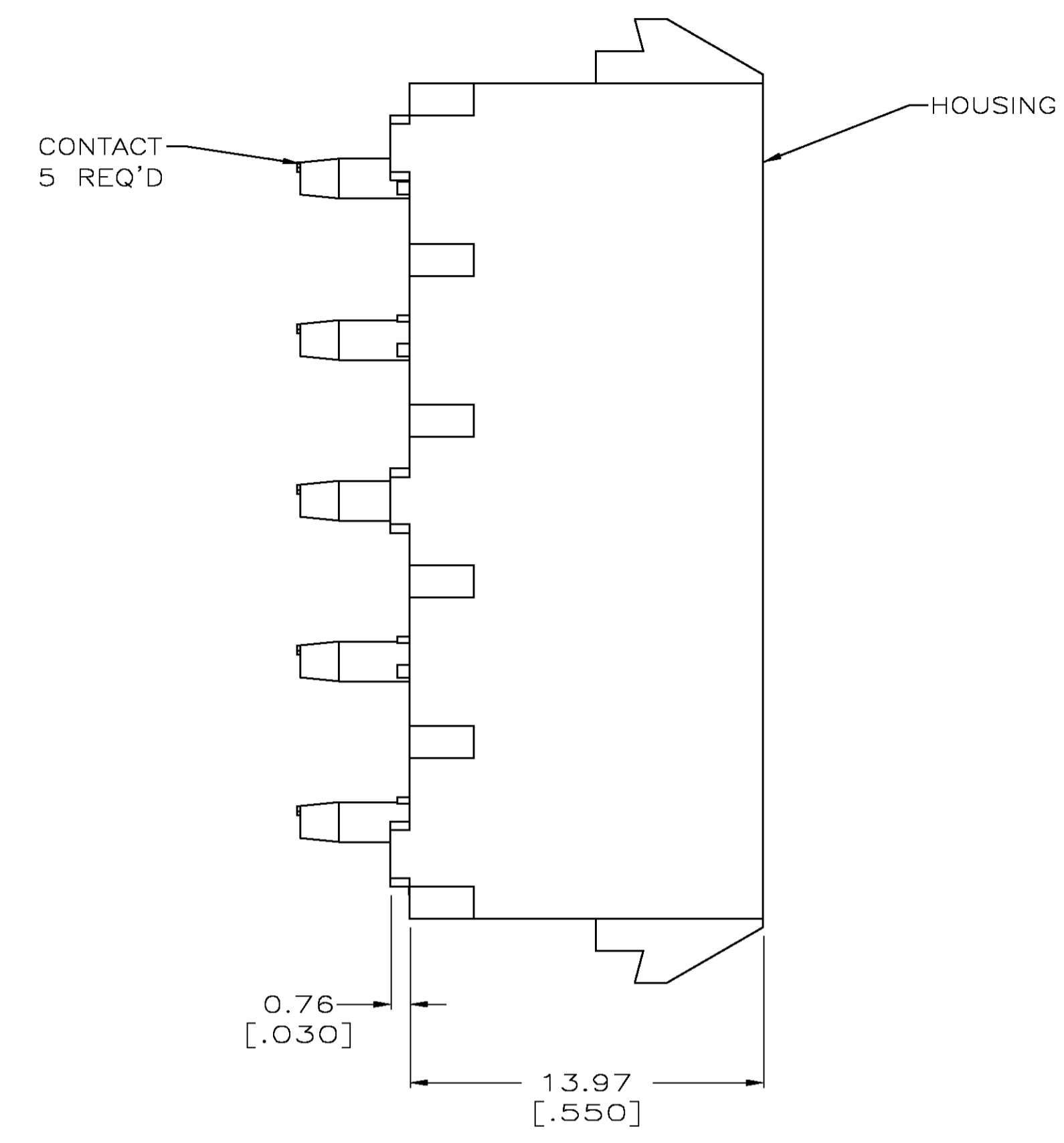
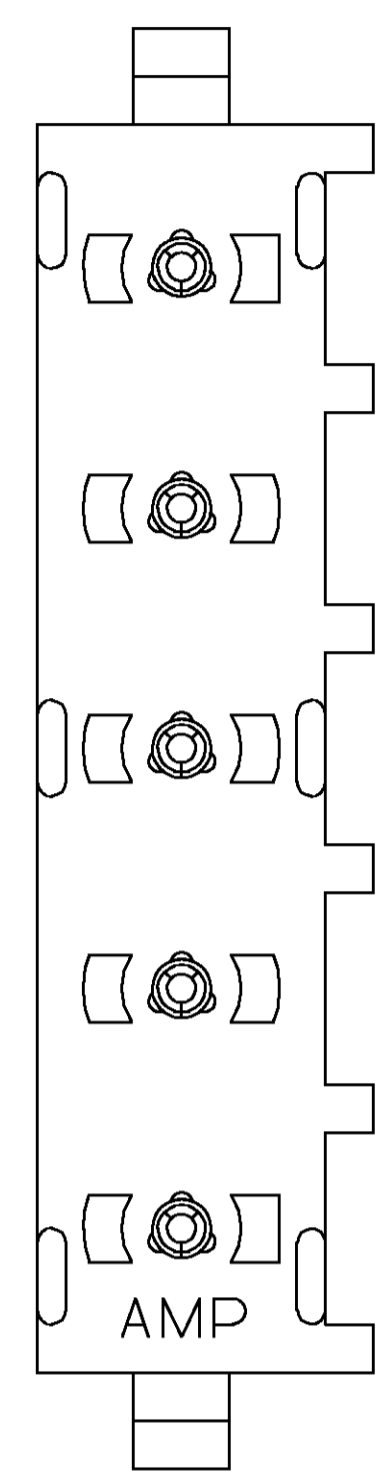
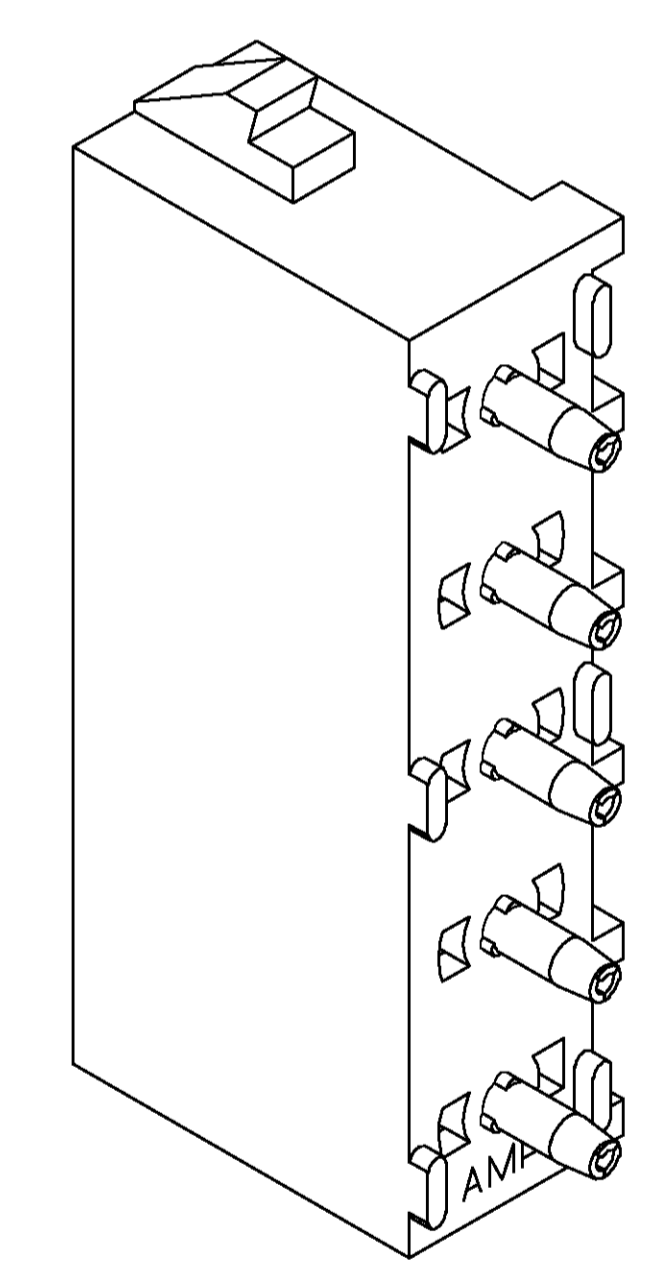


LOC		DIST		REVISIONS			
P	LTR	DESCRIPTION	DATE	DNW	APVD		
J		REVISED PER EC 0G1B-01094-04	03FEB05	KW	SR		



- PARTS COMPLY TO AMP SOLDERABILITY SPECIFICATION 109-11-3.
- CONTACT IS PLATED OVERALL WITH 0.00127 [0.00050] NICKEL, THEN 0.00076 [0.00030] GOLD OVER CONTACT LENGTH INDICATED AND MATTE TIN LEAD ON SOLDER TAIL END.
- CIRCUIT IDENTIFICATION CHARACTERS ARE ADJACENT TO THE INDICATED CAVITIES, BUT LOCATION AND ORIENTATION MAY DIFFER FROM PRINT.
- DIMENSIONS IN BRACKETS ARE IN INCHES.
- CONTACT IS PLATED OVERALL WITH 0.00127 [0.00050] NICKEL, THEN 0.00076 [0.00030] GOLD OVER CONTACT LENGTH INDICATED AND MATTE TIN ON SOLDER TAIL END.



CONTACT MATERIAL AND FINISH	HOUSING MATERIAL	PART NUMBER
PHOSPHOR BRONZE, GOLD	NYLON,UL94V-2,NATURAL	640467-3
PHOSPHOR BRONZE, GOLD	NYLON,UL94V-2,NATURAL	640467-2
PHOSPHOR BRONZE, PRE-TIN	NYLON,UL94V-2,NATURAL	640467-1

**METRIC**

THIS DRAWING IS A CONTROLLED DOCUMENT.

APVD: M. TRULL	DATE: 10-05-98	NAME: M. TRULL	PRODUCT SPEC: ---
APVD: R. SWING	DATE: 10-05-98	NAME: R. SWING	APPLICATION SPEC: ---
APVD: D. LEWIS	DATE: 10-05-98	NAME: D. LEWIS	RESTRICTED TO: ---

SOCKET HEADER ASSEMBLY, 5 CIRCUIT UNIVERSAL MATE-N-LOK™

SIZE: A1    CAGE CODE: 00779    DRAWING NO: 640467

CUSTOMER DRAWING    SCALE: 5:1    SHEET: 1 OF 1    REV: J