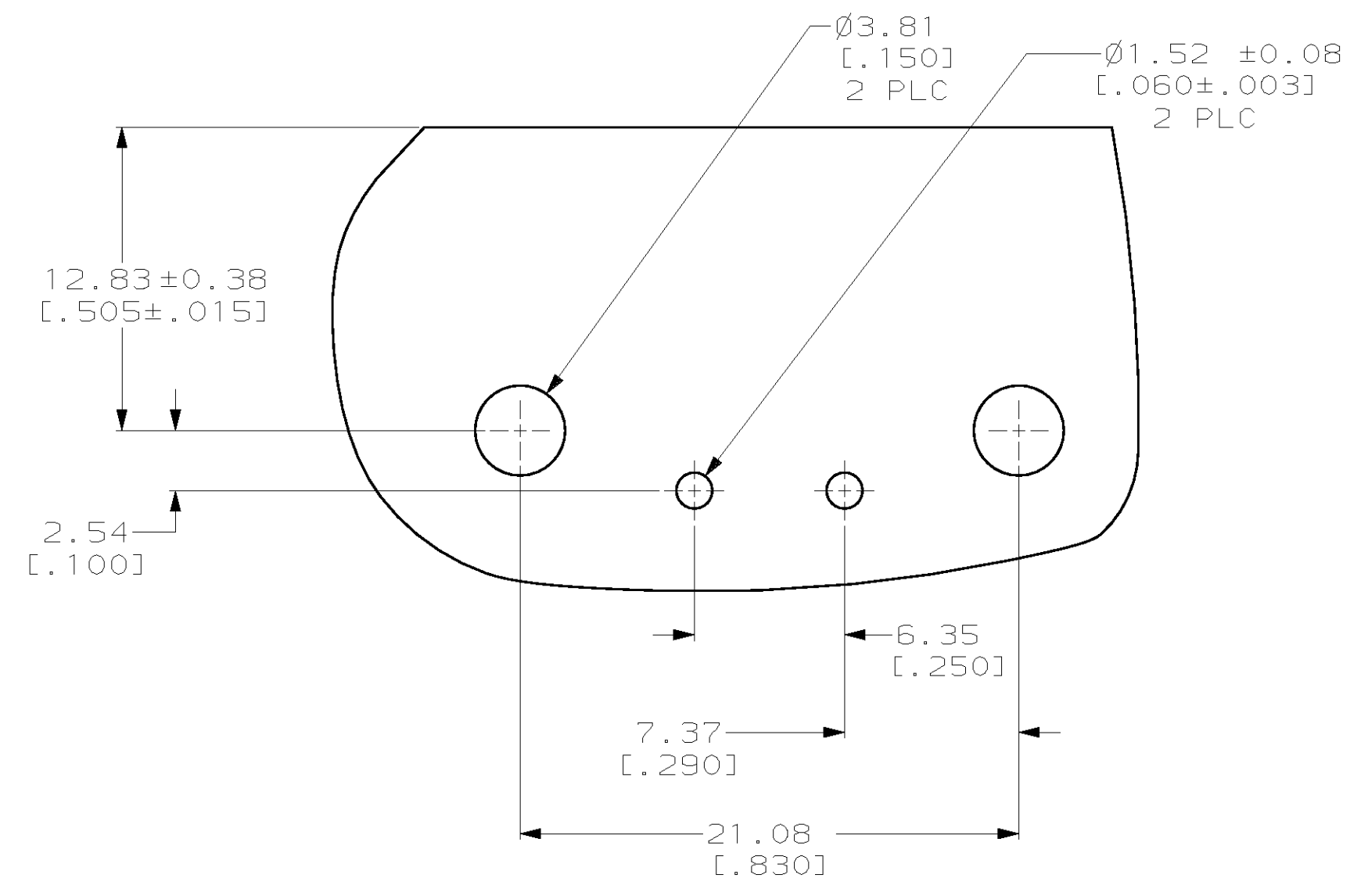
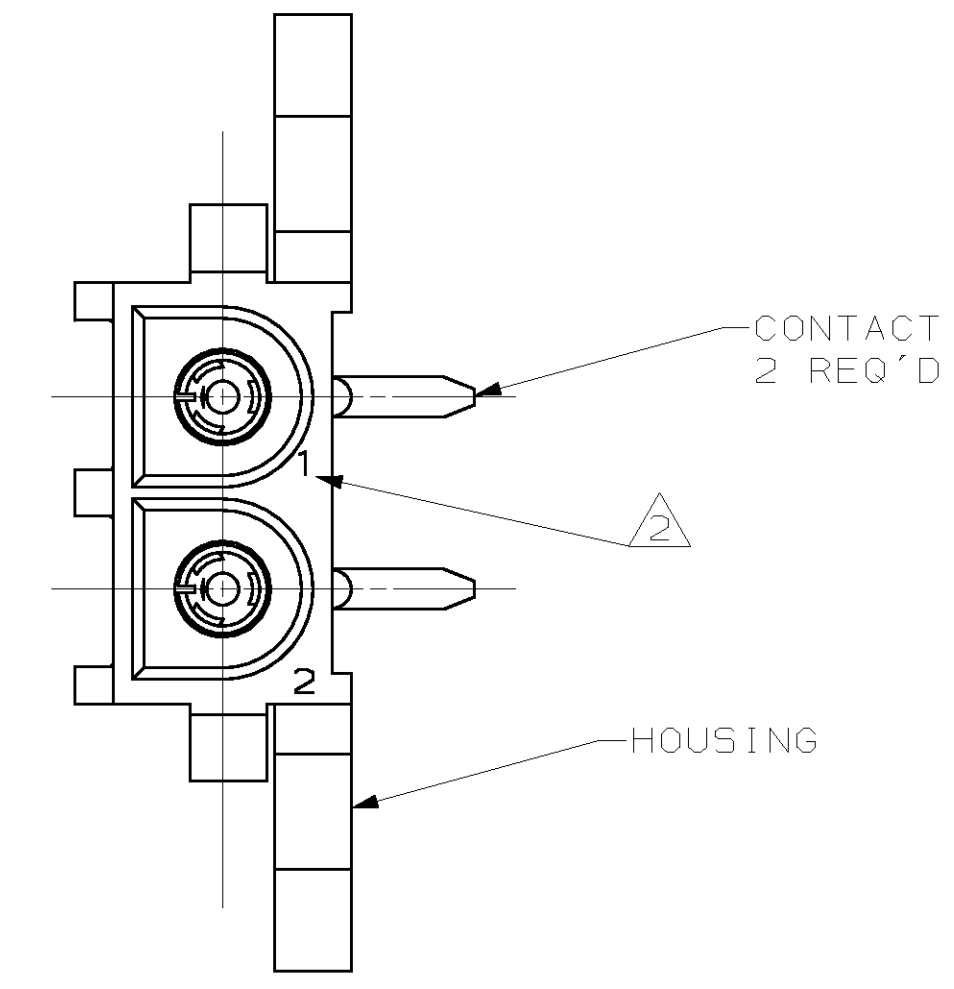
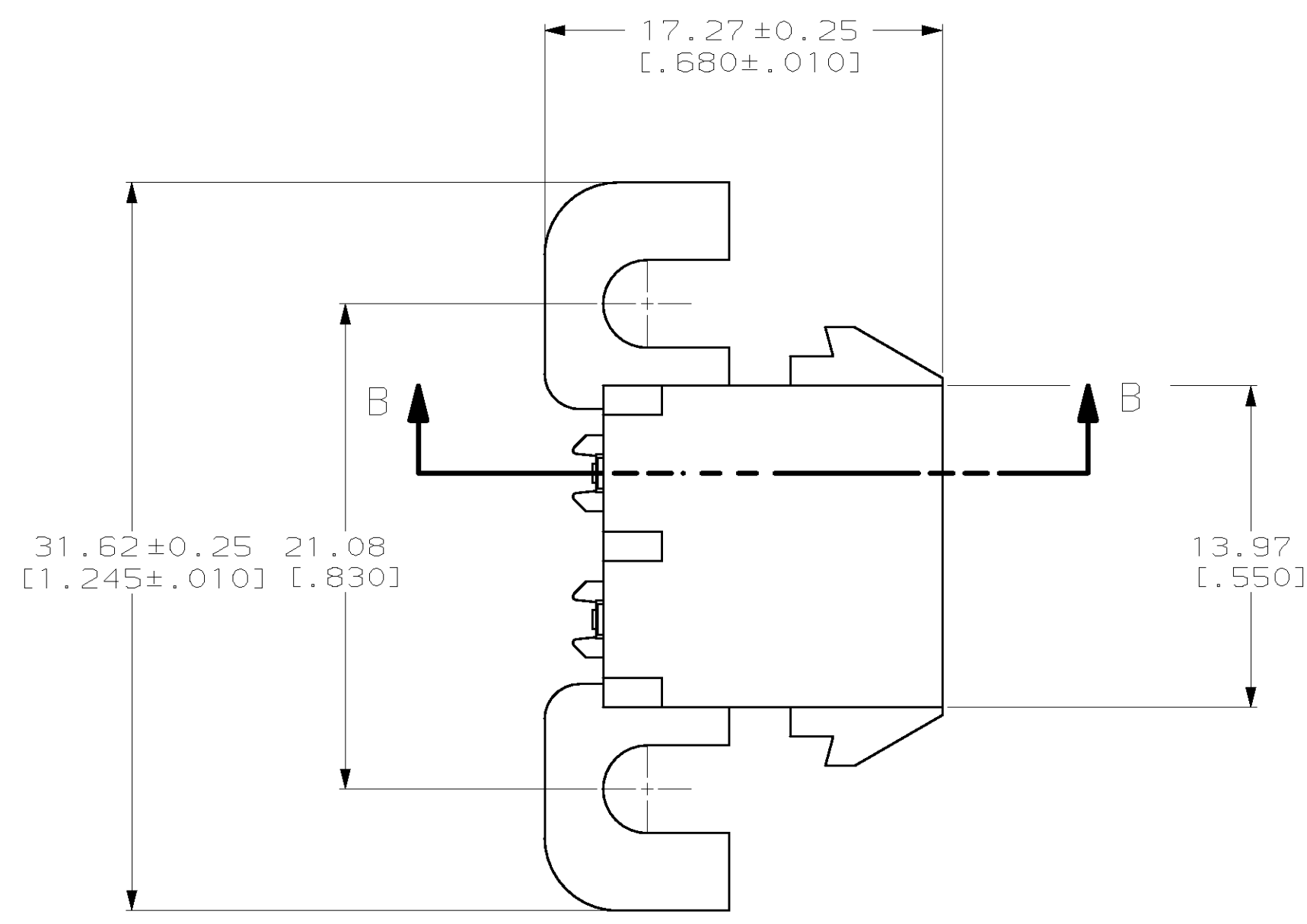
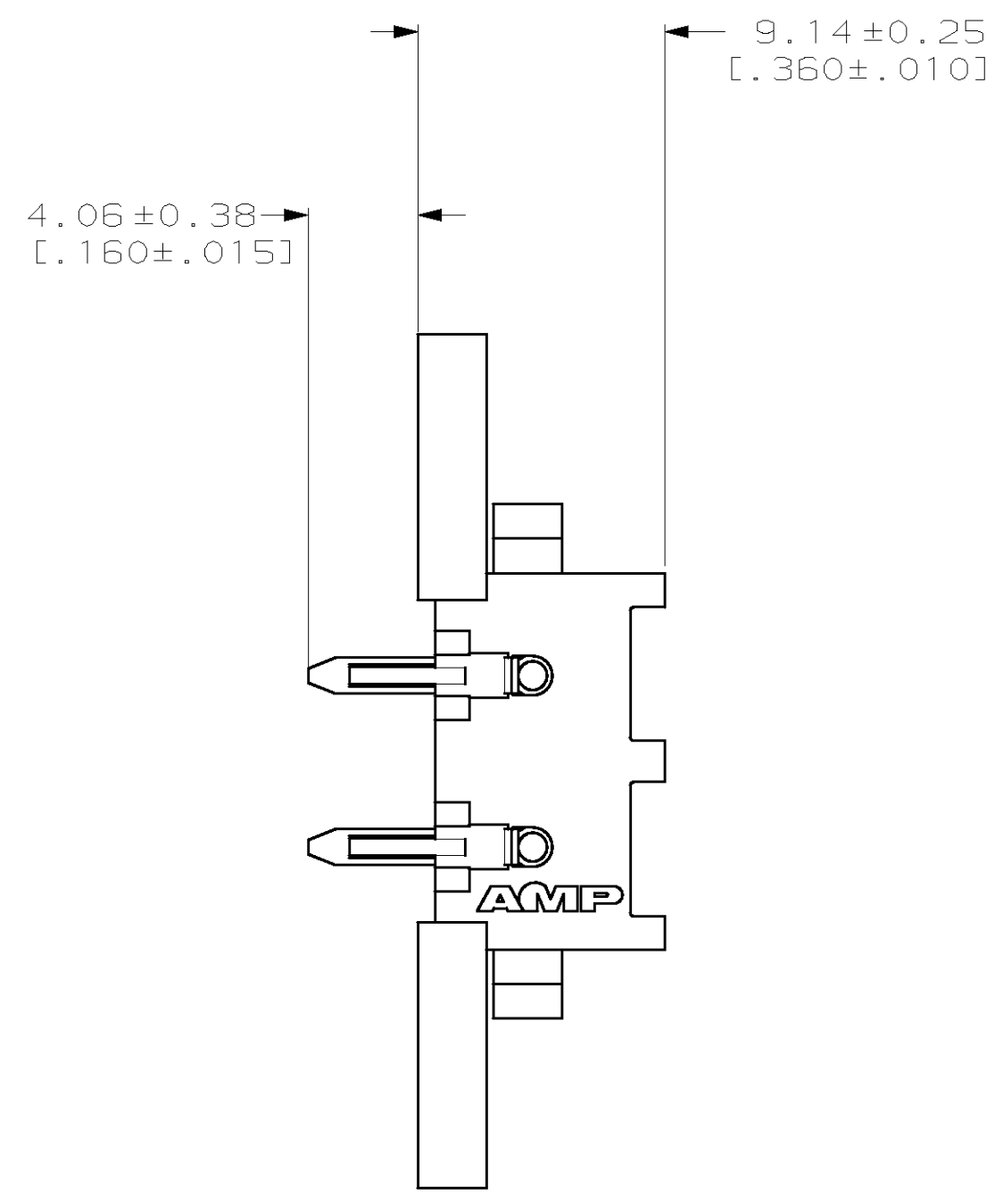
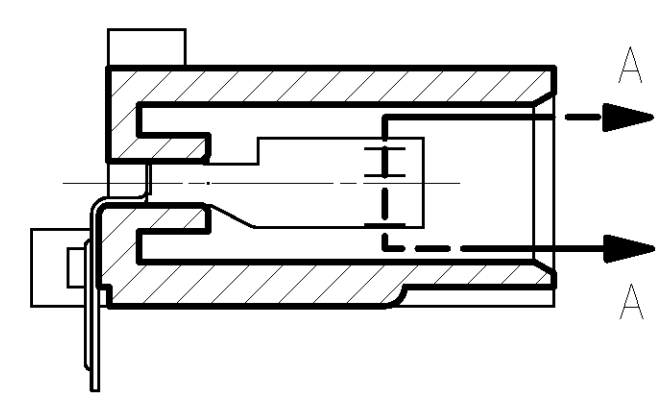


LOC		REV		REVISIONS			
CM	53	TR	LYR	DESCRIPTION	DATE	OWN	APVD
		B		REV & REDWN PER EC 061B-0126-98	4-30-98	BL	RS

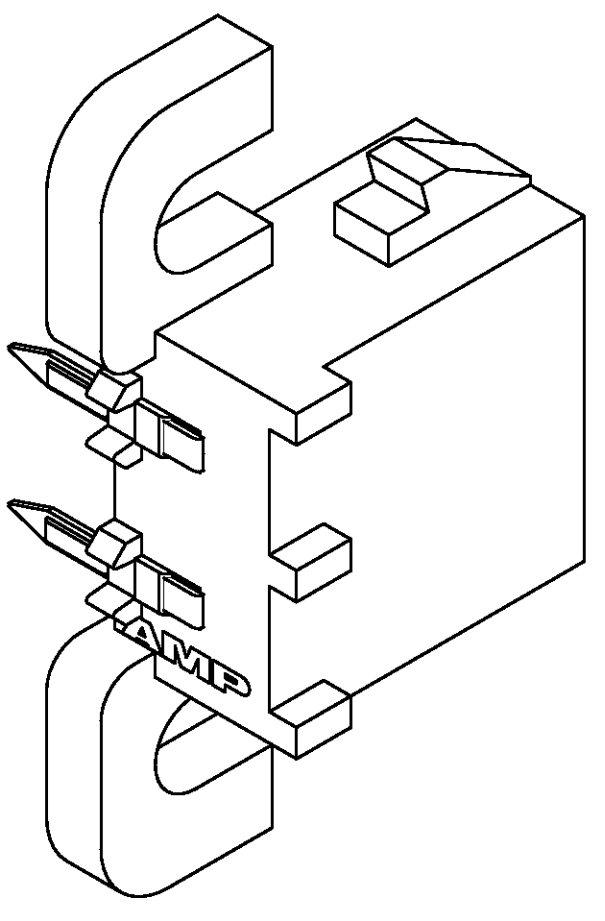
- PARTS COMPLY WITH AMP SOLDERABILITY SPECIFICATION 109-11-5.
- CIRCUIT IDENTIFICATION CHARACTERS ARE ADJACENT TO THE INDICATED CAVITIES, BUT LOCATION AND ORIENTATION MAY DIFFER FROM PRINT.
- DIMENSIONS IN BRACKETS ARE IN INCHES.



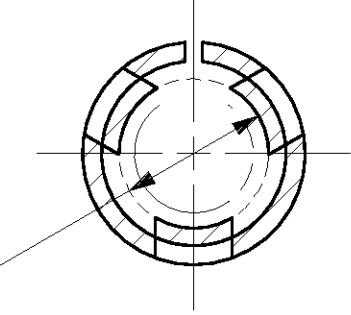
RECOMMENDED MOUNTING HOLE PATTERN FOR .062 [1.57] THICK P.C. BOARD



SECTION B-B



3-DIMENSIONAL MODEL NTS



2.03  
1.91  
[.080  
.075]

SECTION A-A  
SCALE 10:1

PH BRZ TIN	NYLON UL 94V-0	643226-1
CONTACT	HOUSING	PART NO

THIS DRAWING IS A CONTROLLED DOCUMENT.

DIMENSIONS IN INCHES	TOLERANCES UNLESS OTHERWISE SPECIFIED:	OWN: B. LEWIS 4-30-98	AMP Incorporated Harrisburg, PA 17105-3608
1/16" ± .0015"	1/32" ± .0015"	CHK: R. SWING 4-30-98	AMP
1/8" ± .003"	1/16" ± .003"	APVD: K. CORLE 4-30-98	NAME: SOCKET HEADER ASSEMBLY, RIGHT ANGLE MOUNT, 2 POSITION, UNIVERSAL MATE-N-LOK™
1/4" ± .005"	1/8" ± .005"	PRODUCT SPEC: -	SIZE: A1
1/2" ± .005"	3/16" ± .005"	APPLICATION SPEC: -	SCALE CODE: C
1" ± .005"	1/2" ± .005"	HEIGHT: -	DRAWING NO: 643226
SEE TABLE	SEE TABLE	CUSTOMER DRAWING	SCALE: 4:1 SHEET 1 OF 1 REV B

