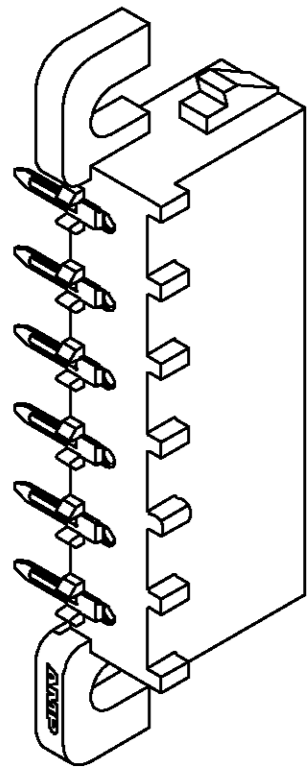
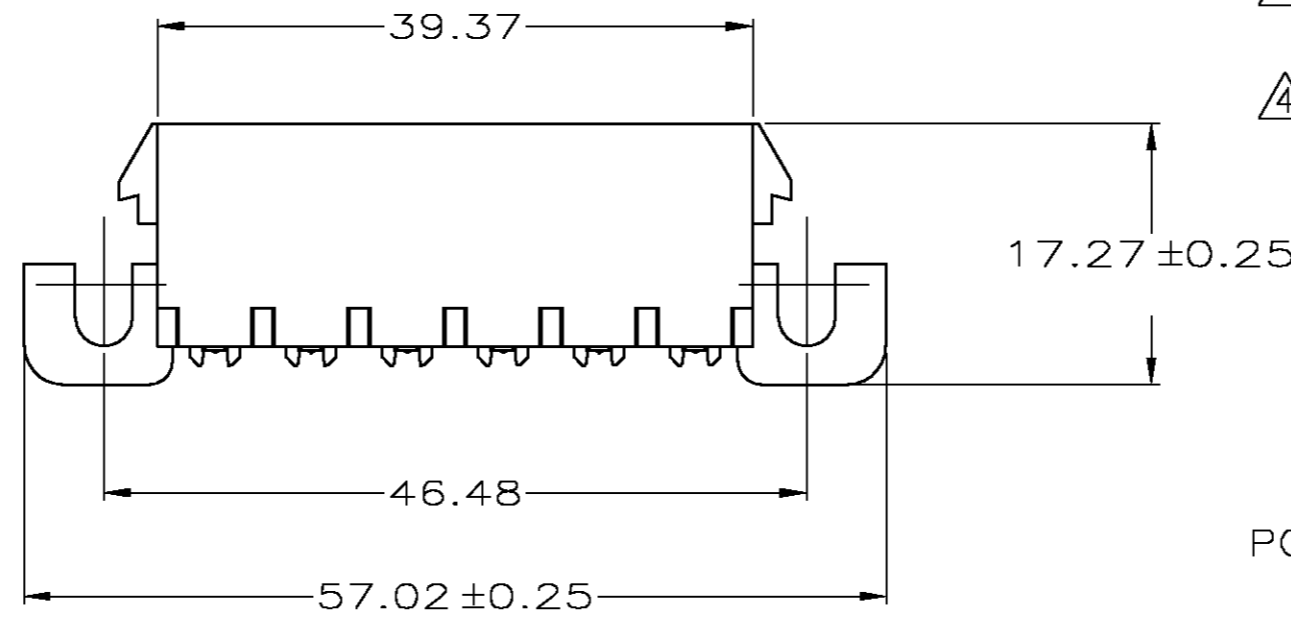
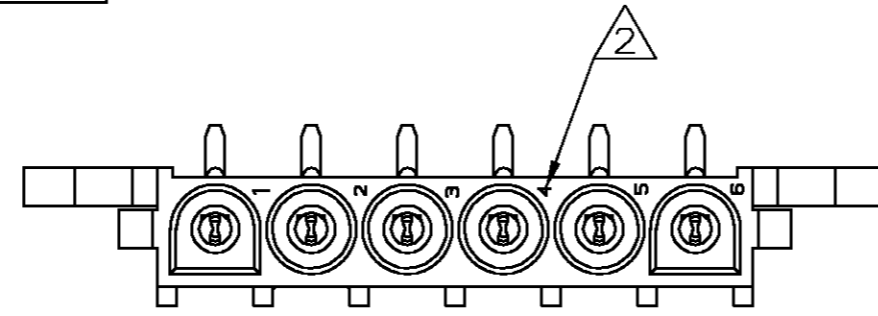


THIS DRAWING IS UNPUBLISHED. RELEASED FOR PUBLICATION  
 © COPYRIGHT BY TYCO ELECTRONICS CORPORATION. ALL RIGHTS RESERVED.

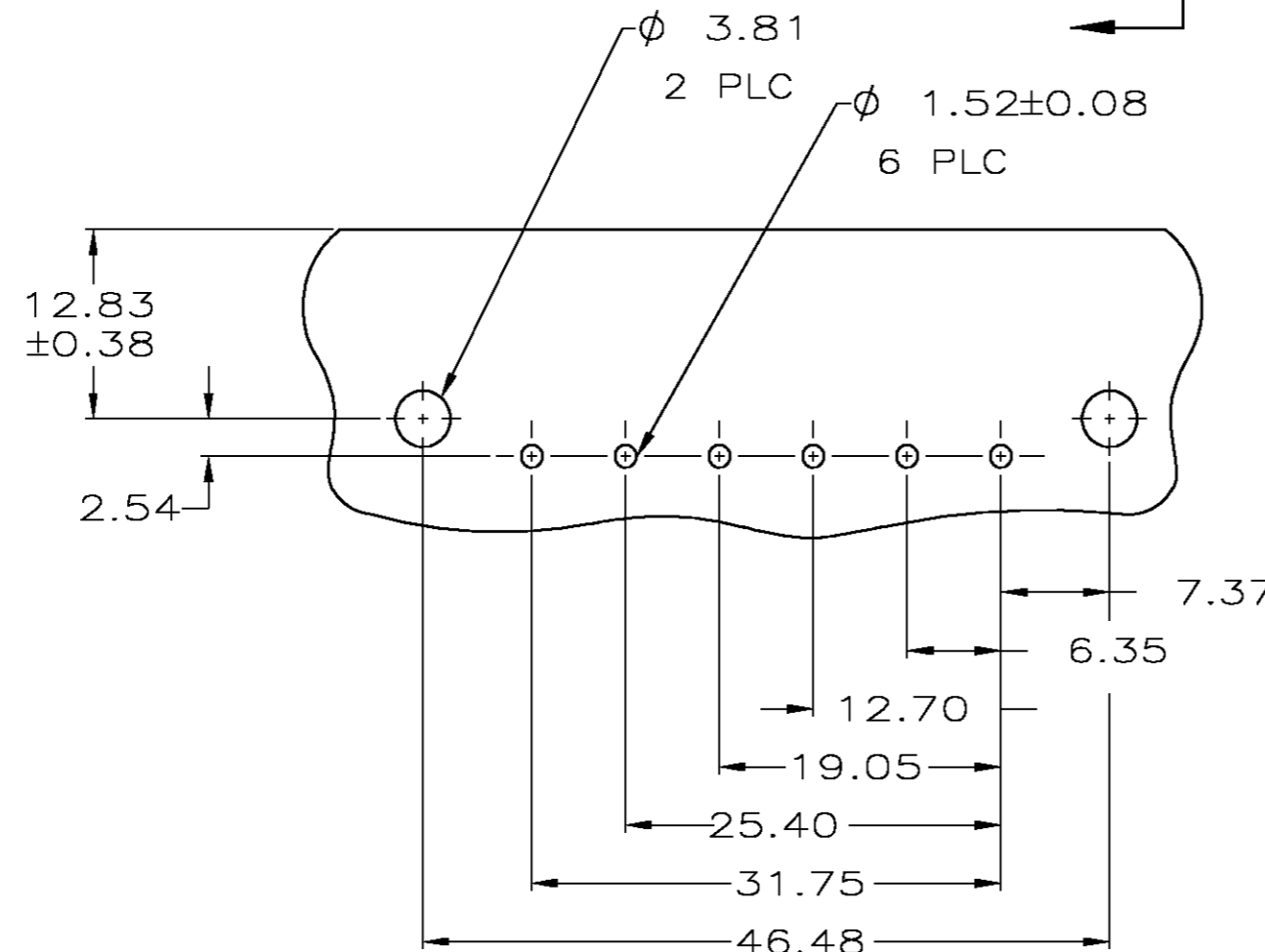
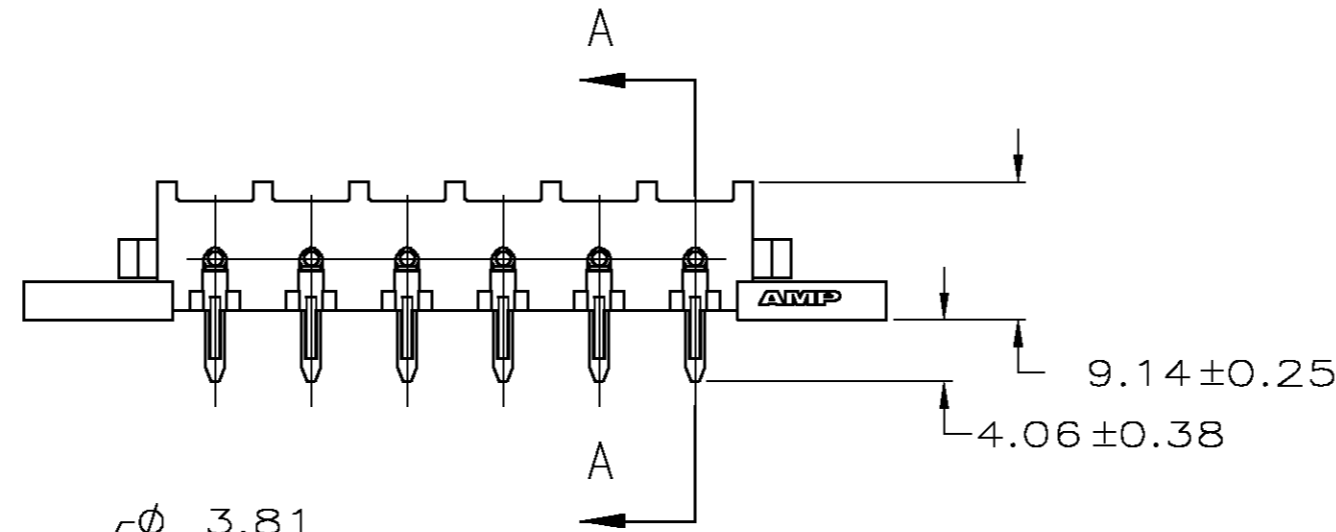
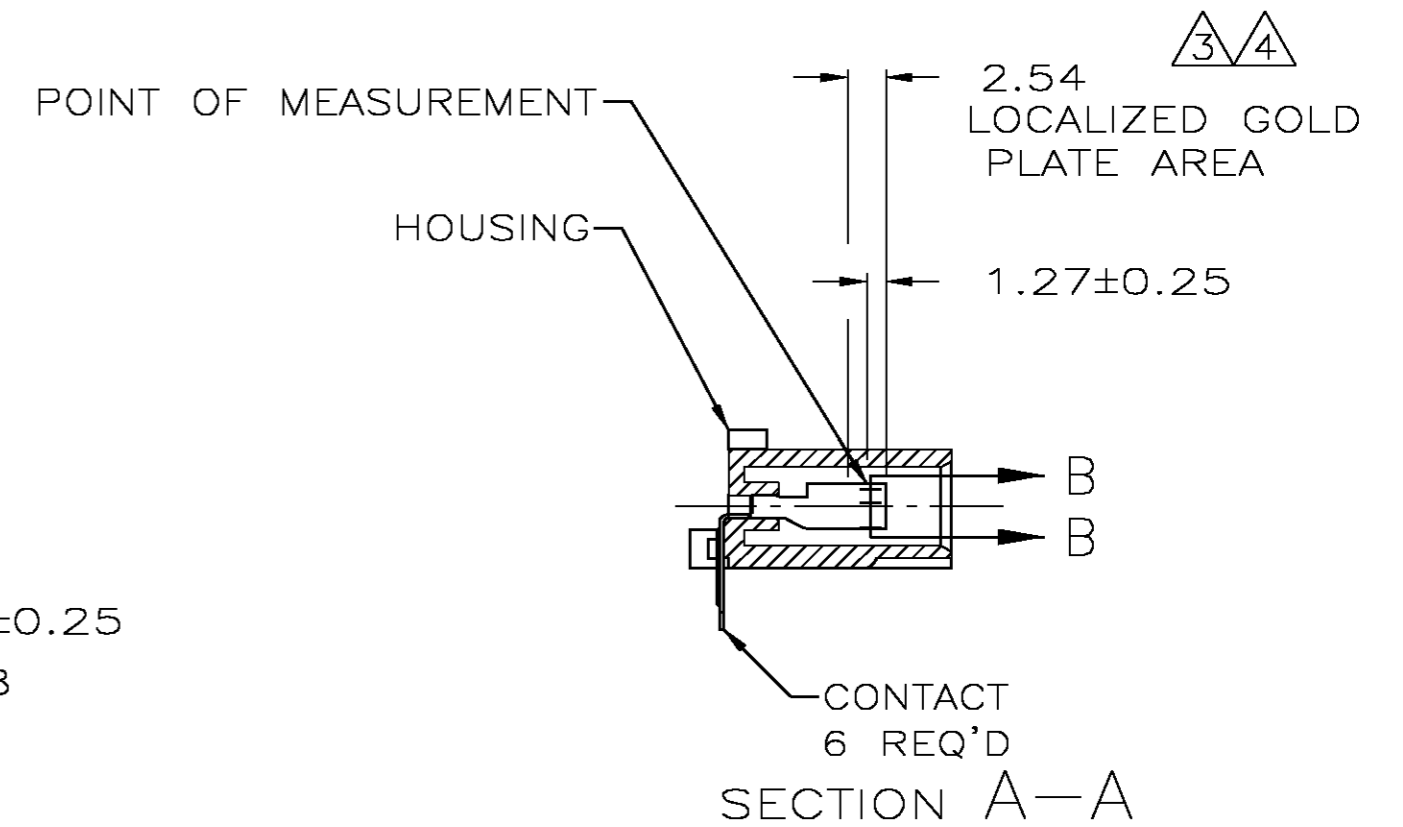
LOC	DIST	REVISIONS			
P	LTR	DESCRIPTION	DATE	DWN	APVD
CM	00	D	REVISED PER EC OG3B-1094-04	21APR05	KW SR



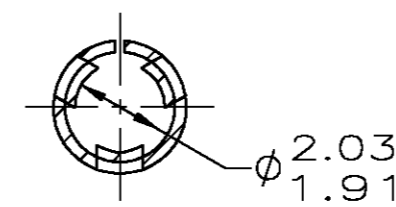
3-DIMENSIONAL MODEL NTS



- PARTS COMPLY WITH AMP SOLDERABILITY SPECIFICATION 109-11-5.
- CIRCUIT IDENTIFICATION CHARACTERS ARE ADJACENT TO THE INDICATED CAVITIES, BUT LOCATION AND ORIENTATION MAY DIFFER FROM PRINT.
- 0.00076 GOLD OVER 0.00127 MIN NICKEL WITH MATTE TIN LEAD ON SOLDER TAIL.
- 0.00076 GOLD OVER 0.00127 MIN NICKEL WITH MATTE TIN ON SOLDER TAIL.



RECOMMENDED MOUNTING HOLE PATTERN FOR 1.57 THICK P.C. BOARD



SECTION B-B SCALE 6:1

3.81	.150	57.02	2.245
2.54	.100	46.48	1.830
2.03	.080	39.37	1.550
1.91	.075	31.75	1.250
1.57	.062	25.40	1.000
1.52	.060	19.05	.750
1.27	.050	17.27	.680
0.38	.015	12.83	.505
0.25	.010	12.70	.500
0.13	.005	9.14	.360
0.08	.003	7.37	.290
0.00127	.000050	6.35	.250
0.00076	.000030	4.06	.160
MM	IN	MM	IN

CONVERSION TABLE

**METRIC**

PH BRZ GOLD $\Delta 4$	NYLON, UL94V-0	3-643234-0
PH BRZ GOLD $\Delta 3$	NYLON, UL94V-0	643234-2
PH BRZ TIN	NYLON, UL94V-0	643234-1
CONTACT	HOUSING	PART NO

THIS DRAWING IS A CONTROLLED DOCUMENT.		DWN K. WHITAKER 21APR2005	Tyco Electronics Corporation Harrisburg, Pa 17105-3608	
DIMENSIONS: mm	TOLERANCES UNLESS OTHERWISE SPECIFIED:	CHK S. RIDGILL 21APR2005	NAME S. RIDGILL 21APR2005	
MATERIAL SEE TABLE	FINISH SEE TABLE	APVD S. RIDGILL 21APR2005	PRODUCT SPEC	
		APPLICATION SPEC	SOCKET HEADER ASSEMBLY, RIGHT ANGLE MOUNT, 6 POSITION, UNIVERSAL MATE-N-LOK(TM)	
WEIGHT		SIZE A2	CAGE CODE 00779	DRAWING NO C=643234
CUSTOMER DRAWING		SCALE 2:1	SHEET 1 OF 1	REV D