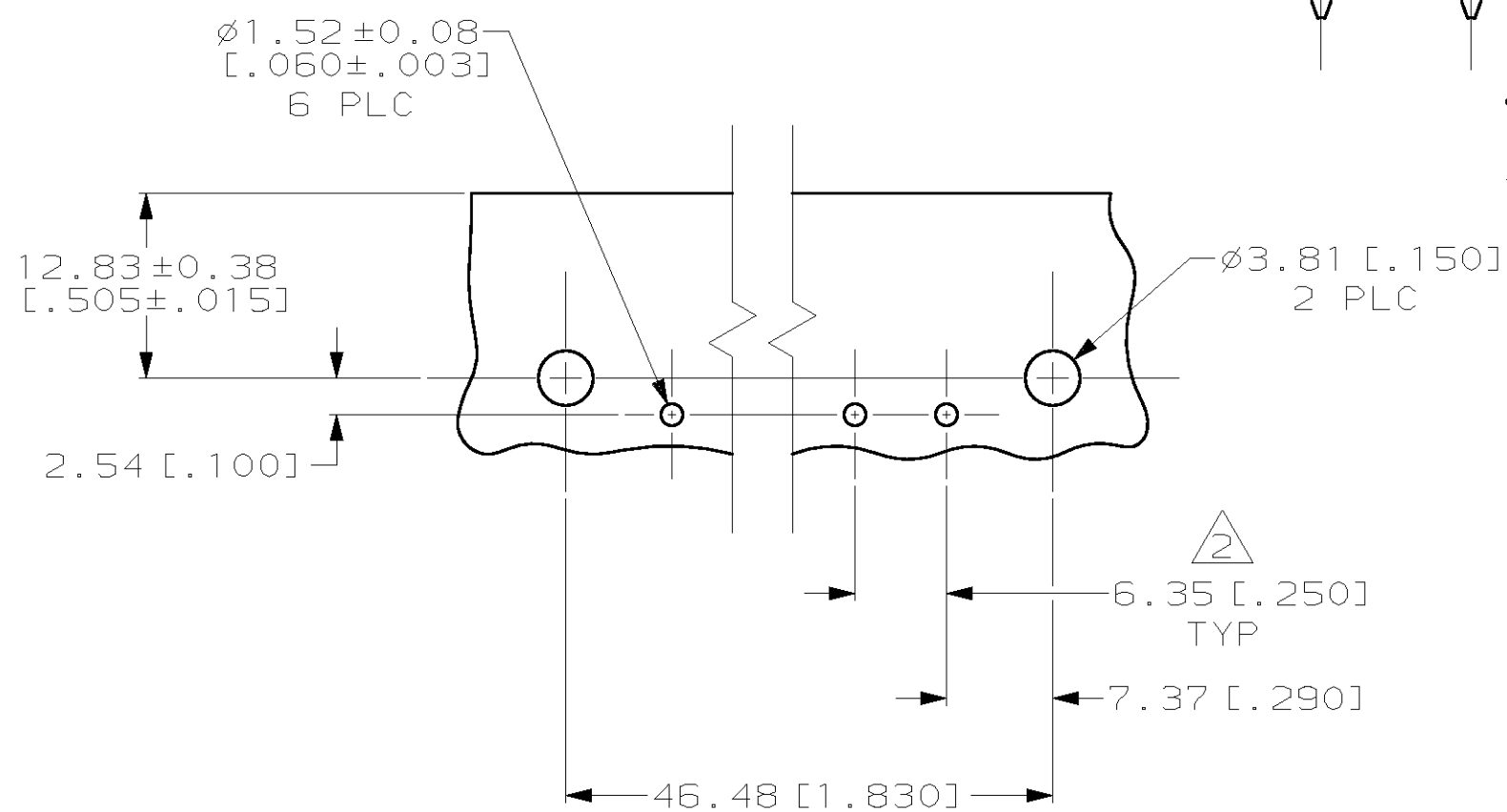
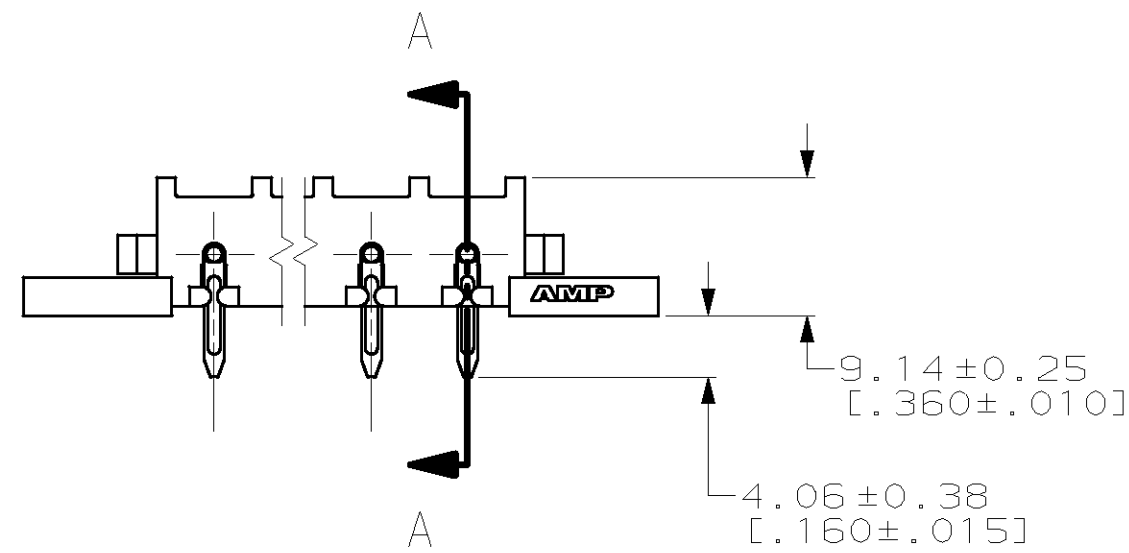
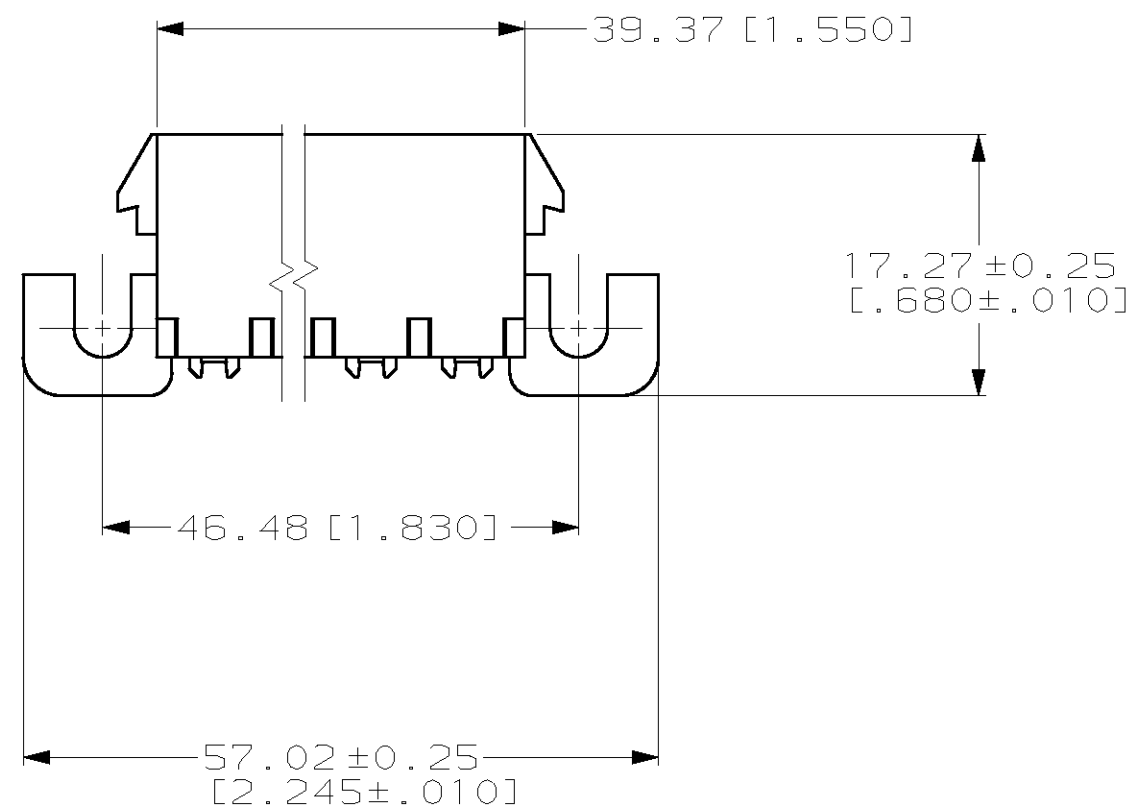
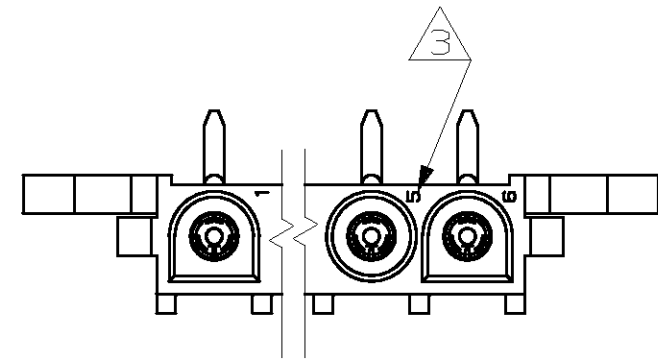


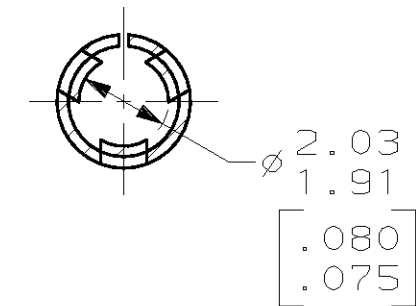
THIS DRAWING IS UNPUBLISHED. RELEASED FOR PUBLICATION
 (C) COPYRIGHT 19 BY AMP INCORPORATED. ALL RIGHTS RESERVED.

REVISE		REVISIONS					
CM	53	P	LTR	DESCRIPTION	DATE	DWN	APVD
		D		REV PER EC 061B-0127-98	6-23-98	JH	RS

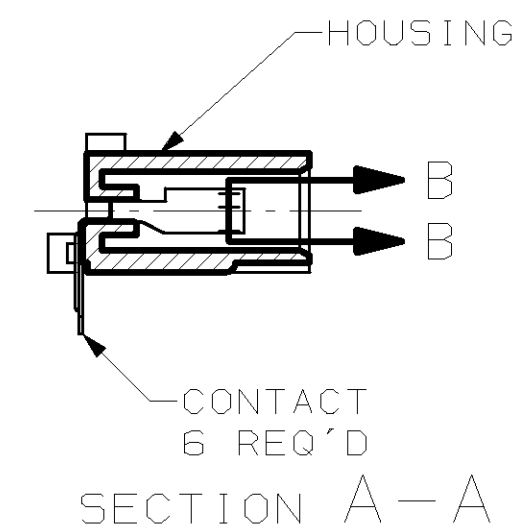


RECOMMENDED MOUNTING HOLE PATTERN
 FOR 1.57 [0.062] THICK P.C. BOARD

- PARTS MUST COMPLY WITH AMP SOLDERABILITY SPEC 109-11-5.
- TOLERANCE NON-CUMULATIVE.
- CIRCUIT IDENTIFICATION CHARACTERS ARE ADJACENT TO THE INDICATED CAVITIES, BUT LOCATION AND ORIENTATION MAY DIFFER FROM PRINT.



SECTION B-B
 SCALE 6:1



PHOS BRZ PRE-TIN	NYLON UL 94V-2	643235-1
CONTACT	HOUSING	PART NO

<small>THIS DRAWING IS A CONTROLLED DOCUMENT FOR AMP INCORPORATED. IF IT IS SUBJECT TO CHANGE AND THE CONTROLLING ENGINEERING ORGANIZATION SHOULD BE CONTACTED FOR THE LATEST REVISION.</small>		DWN: R. VESTAL 7-19-95 CHK: R. SWING 7-19-95 APVD: D. SELF 7-19-95	AMP AMP Incorporated Harrisburg, PA 17105-3608
DIMENSIONS: mm [INCHES] TOLERANCES UNLESS OTHERWISE SPECIFIED: 0 PLC ±- 1 PLC ±- 2 PLC ±0.13 [.005] 3 PLC ±- 4 PLC ±- ANGLES ±0°30' FINISH SEE TABLE		PRODUCT SPEC: - APPLICATION SPEC: - WEIGHT: - CUSTOMER DRAWING	NAME: SOCKET HEADER ASSEMBLY, RIGHT ANGLE MOUNT, 6 POSITION, UNIVERSAL MATE-N-LOK™ SIZE: A2 CAGE CODE: 00779 DRAWING NO: C-643235
MATERIAL: SEE TABLE		SCALE: 2:1 SHEET: 1 OF 1 REV: D	

METRIC