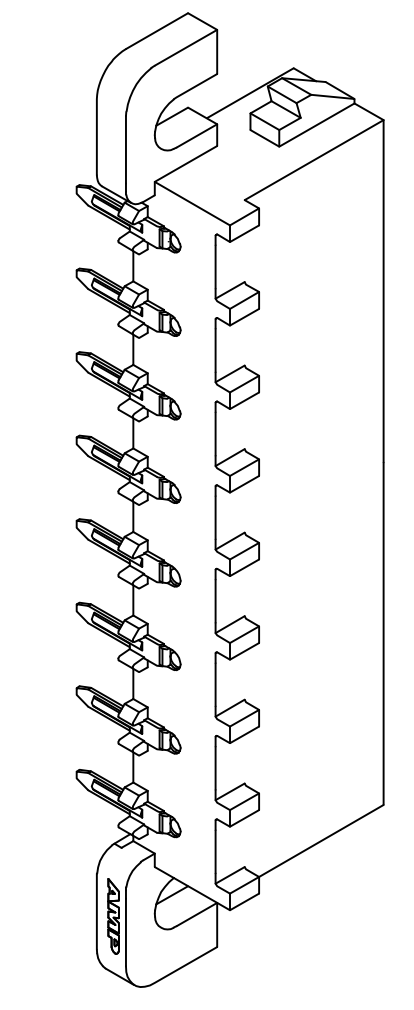
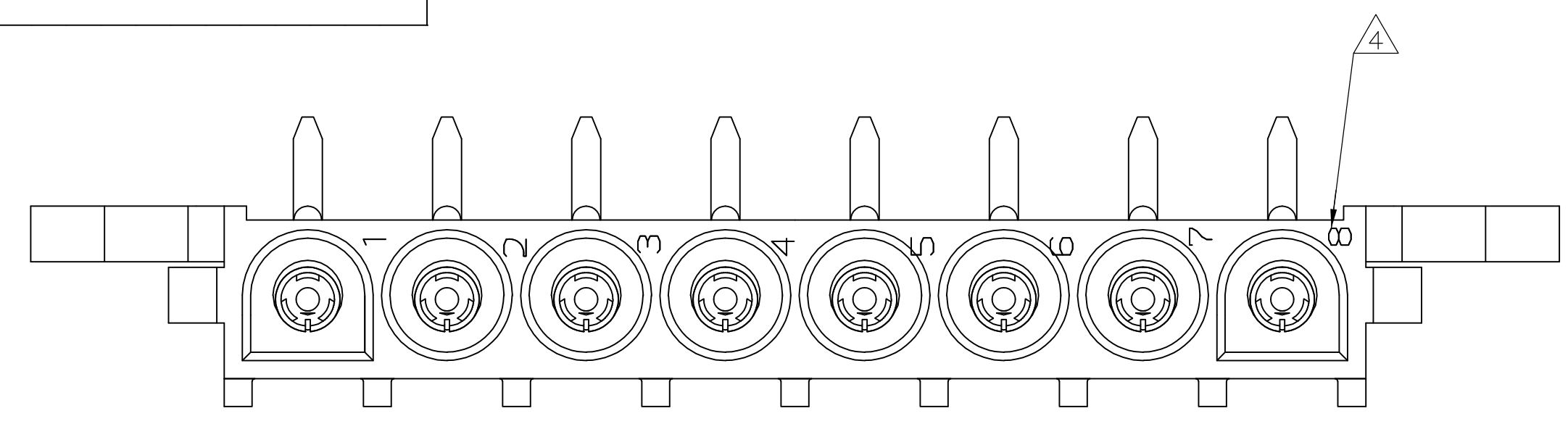
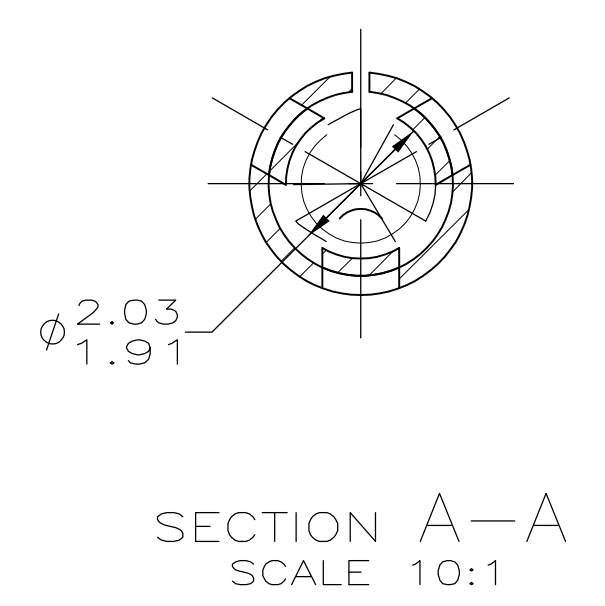
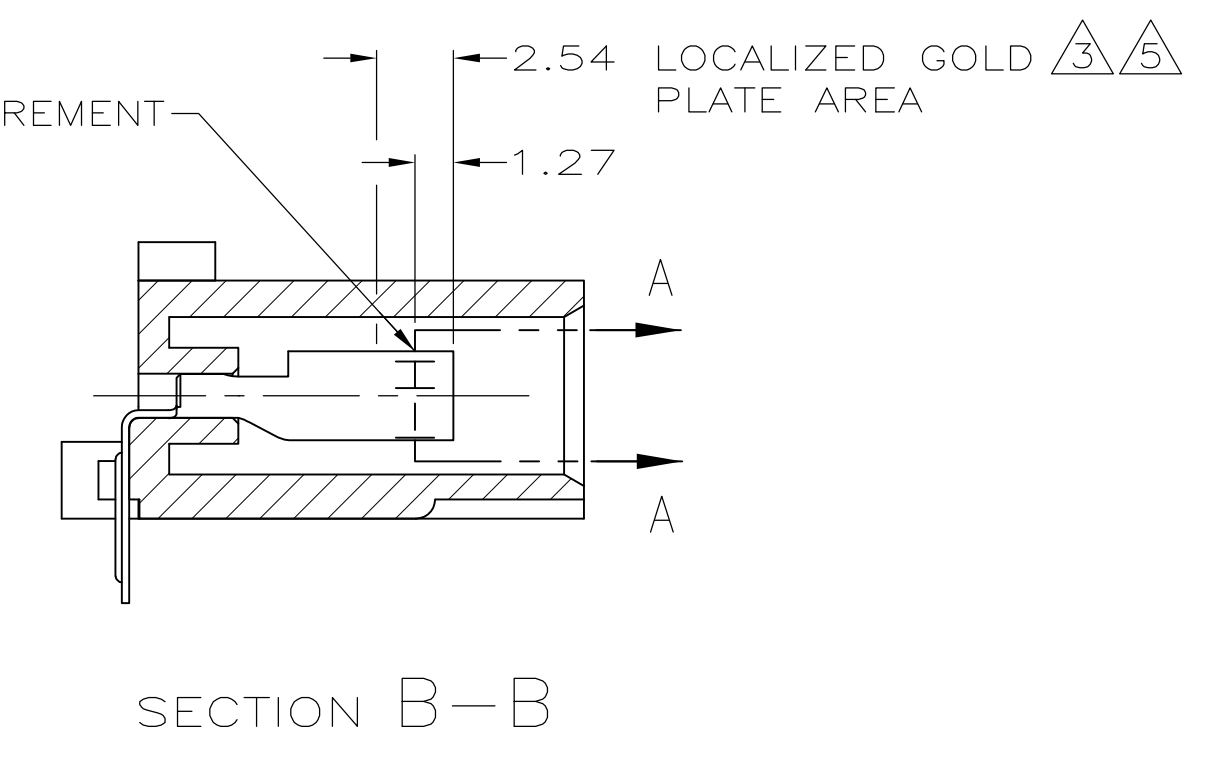
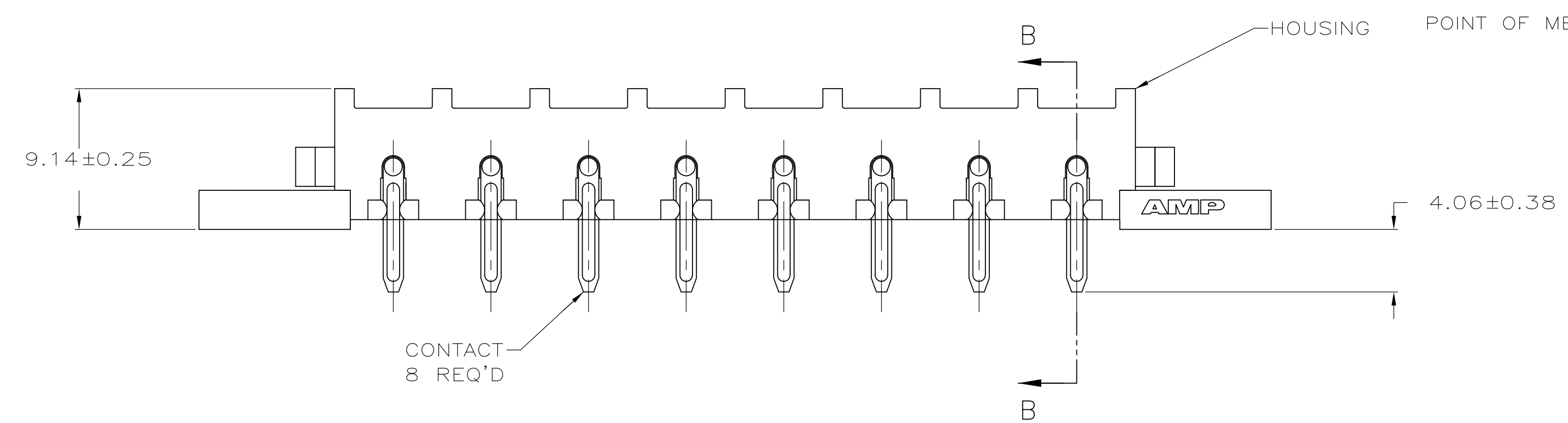
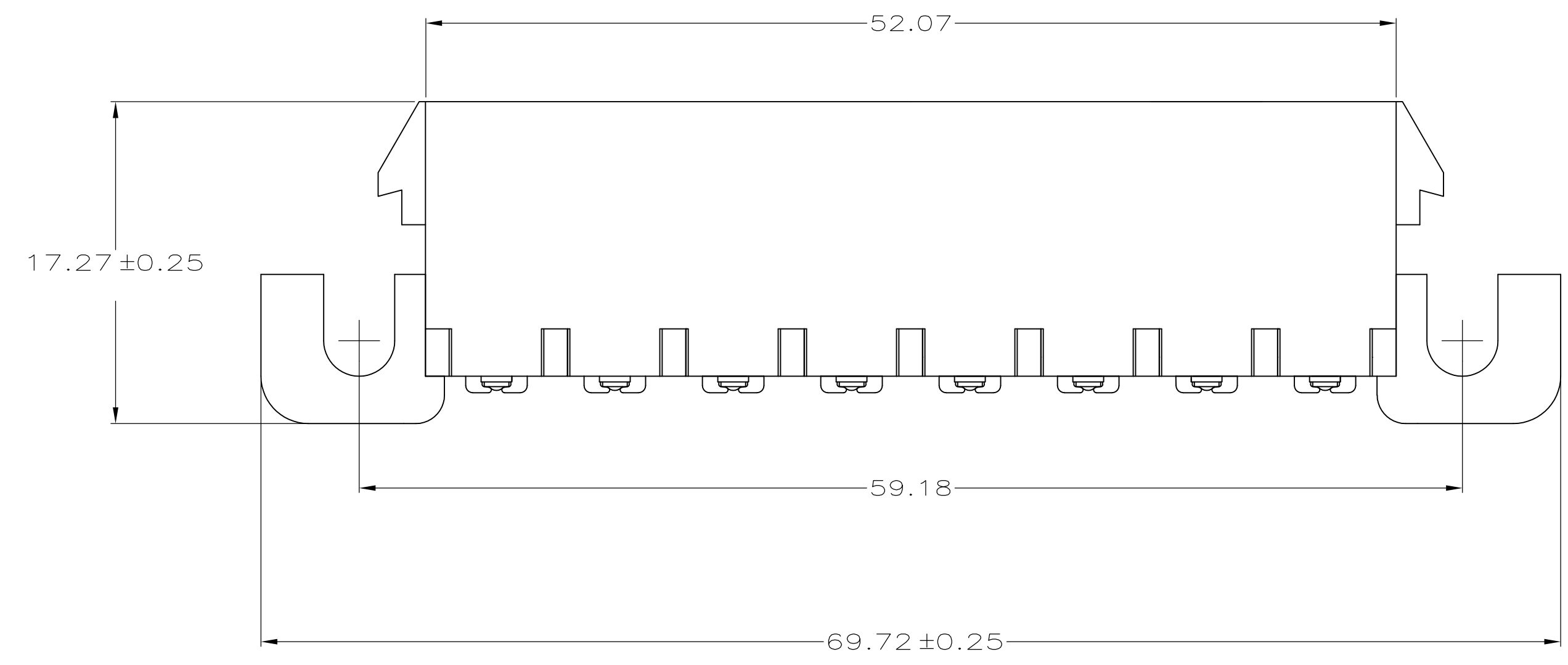


LOC		DIST		REVISIONS			
CM	00	REV	DATE	BY	CHK	APPV	
D1	REVISED PER ECR-12-011660		01FEB13	KH	TM		

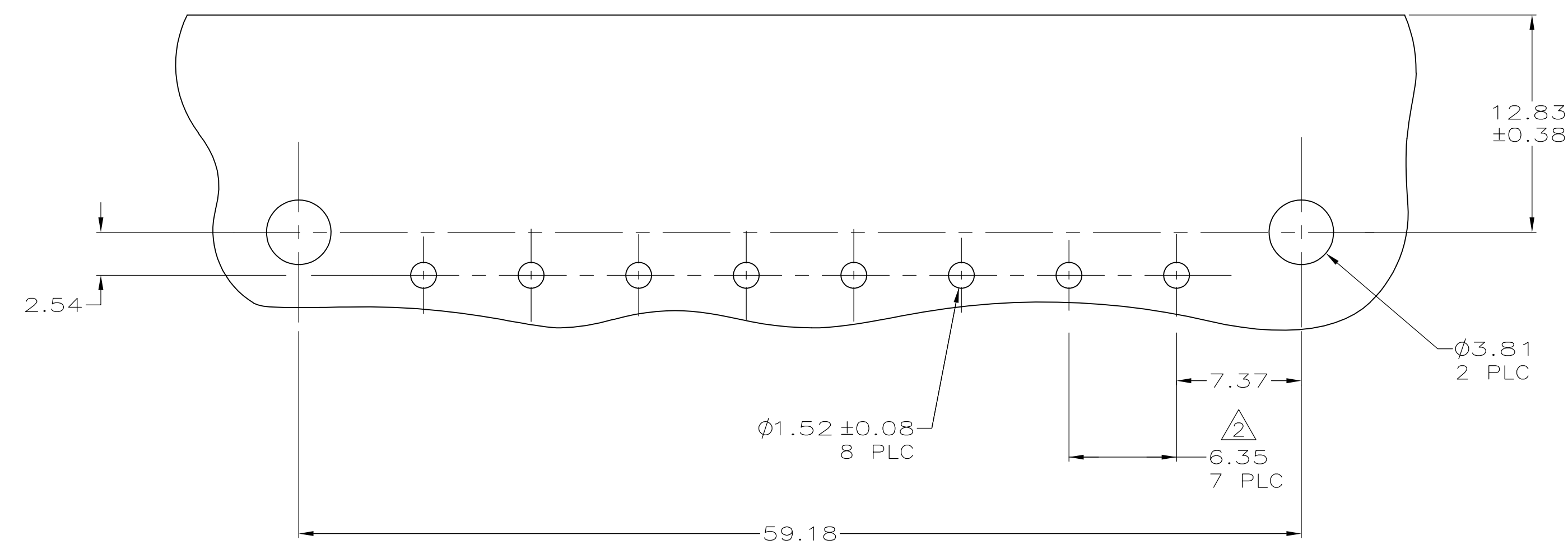


3-DIMENSIONAL MODEL NTS

- 1 PARTS COMPLY WITH AMP SOLDERABILITY SPECIFICATION 109-11-5.
- 2 TOLERANCE NON-CUMULATIVE.
- 3 0.00076 GOLD OVER 0.00127 MIN NICKEL WITH MATTE TIN LEAD ON SOLDER TAIL.
- 4 CIRCUIT IDENTIFICATION CHARACTERS ARE ADJACENT TO THE INDICATED CAVITIES, BUT LOCATION AND ORIENTATION MAY DIFFER FROM PRINT.
- 5 0.00076 GOLD OVER 0.00127 MIN NICKEL WITH MATTE TIN ON SOLDER TAIL.
- 6 SUPERSEDED BY 3-643236-0



SECTION A-A SCALE 10:1



RECOMMENDED MOUNTING HOLE PATTERN FOR 1.57 THICK P.C. BOARD

2.03	.080	69.72	2.745
1.91	.075	59.18	2.330
1.57	.062	52.07	2.050
1.52	.060	17.27	.680
1.27	.050	12.83	.505
0.38	.015	9.14	.360
0.25	.010	7.37	.290
0.13	.005	6.35	.250
0.08	.003	4.06	.160
0.00127	.000050	3.81	.150
0.00076	.000030	2.54	.100
MM	IN	MM	IN

CONVERSION TABLE

PH BRZ GOLD	5	NYLON, UL94V-0	3-643236-0
PH BRZ GOLD	3	NYLON, UL94V-0	643236-2
PH BRZ TIN		NYLON, UL94V-0	643236-1
CONTACT		HOUSING	PART NO

THIS DRAWING IS A CONTROLLED DOCUMENT.

DIMENSIONS: mm	TOLERANCES UNLESS OTHERWISE SPECIFIED:	DIN K. WHITAKER 21APR2005	NAME
0 PLC ± -	1 PLC ± -	CHK S. RIDGILL 21APR2005	TE Connectivity
2 PLC ± 0.13	3 PLC ± -	APPV S. RIDGILL 21APR2005	SOCKET HEADER ASSEMBLY, RIGHT ANGLE MOUNT, 8 POSITION, UNIVERSAL MATE-N-LOK™
4 PLC ± -	ANGLES ± -	APPLICATION SPEC	SIZE CAE CODE DRAWING NO
SEE TABLE	SEE TABLE	WEIGHT	A1 00779 C=643236
		CUSTOMER DRAWING	SCALE 4:1 SHEET 1 OF 1 REV D1