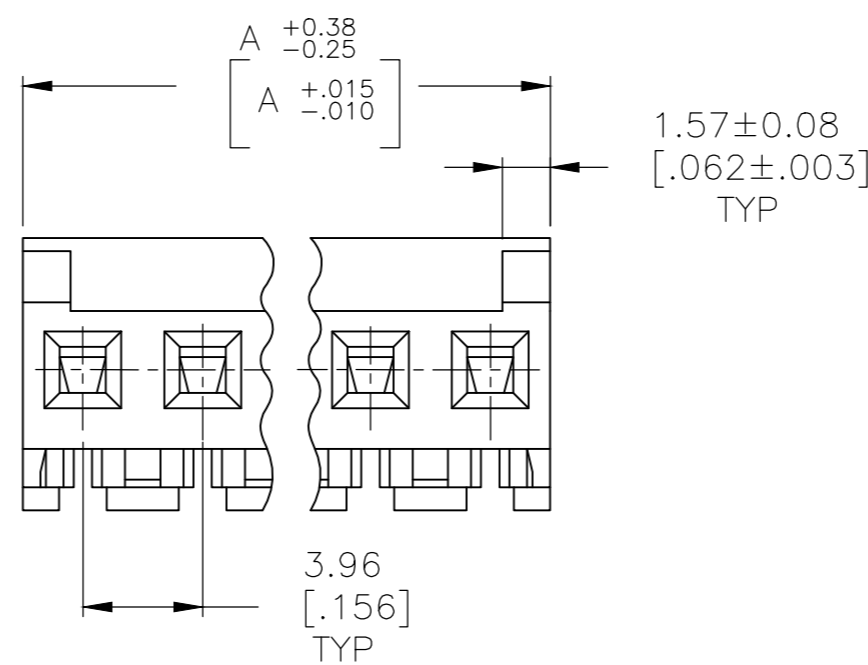
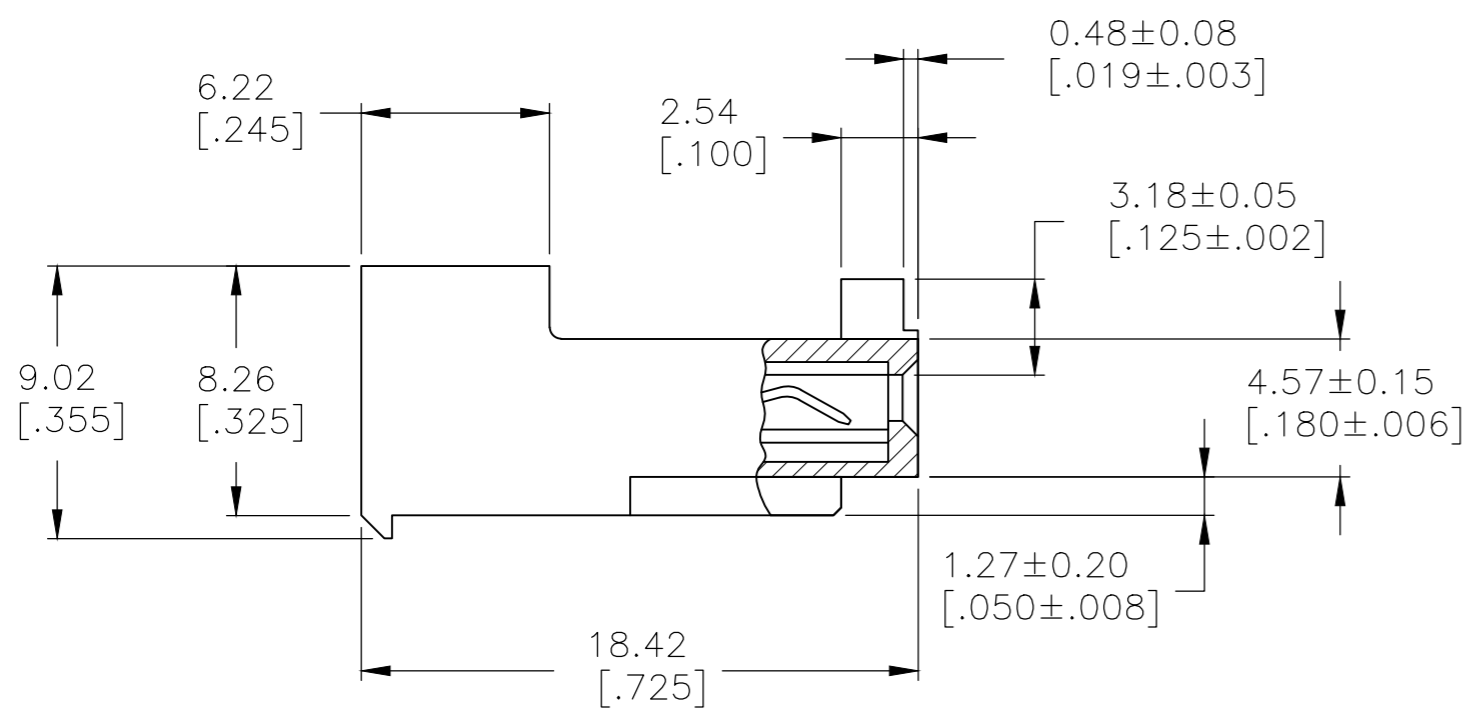
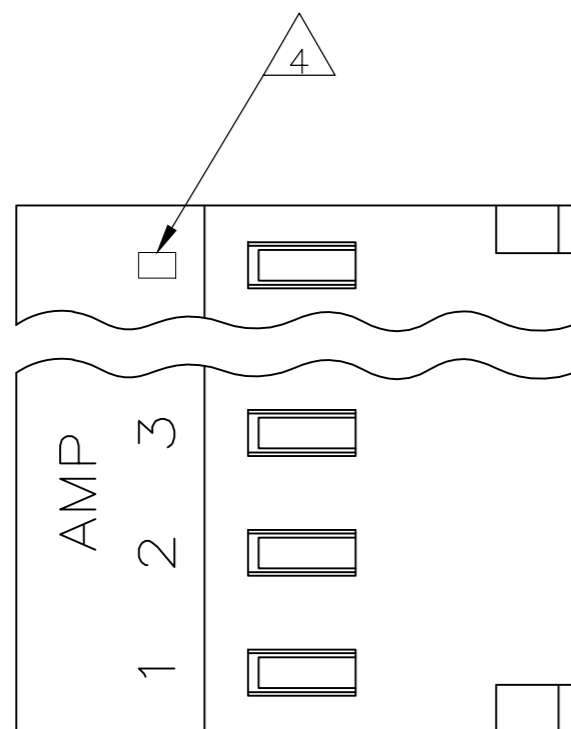


THIS DRAWING IS UNPUBLISHED. RELEASED FOR PUBLICATION
 © COPYRIGHT - By - TE CONNECTIVITY ALL RIGHTS RESERVED.

LOC	DIST	REVISIONS			
P	LTR	DESCRIPTION	DATE	DWN	APVD
CM	00	E1	ECO-14-012257	04NOV2014	KR OC



DIM A	NO. OF CIRCUITS	PART NO.
55.47[2.184]	14	4-644463-4
51.51[2.028]	13	4-644463-3
47.55[1.872]	12	4-644463-2
43.59[1.716]	11	4-644463-1
39.62[1.560]	10	4-644463-0
35.66[1.404]	9	3-644463-9
31.70[1.248]	8	3-644463-8
27.74[1.092]	7	3-644463-7
23.77[.936]	6	3-644463-6
19.81[.780]	5	3-644463-5
15.85[.624]	4	3-644463-4
11.89[.468]	3	3-644463-3
7.92[.312]	2	3-644463-2

1 MATERIAL: CONNECTOR - NYLON UL94-V2 (RED).
 CONTACTS - 0.30[.012] THICK COPPER ALLOY
 (BRIGHT TIN-LEAD 0.00203[.000080] MIN. THICK
 FOR CONTACTS 644463-2 THRU 1-644463-4).
 (MATTE WHISKER MITIGATED TIN 0.00203[.000080] MIN.
 THICKNESS OVER NICKEL UNDERPLATE FOR 3-644463-2
 THRU 4-644463-4).

2 CONTACTS ACCEPT 22 AWG WIRE WITH 2.41[.095] MAX
 INSULATION DIAMETER.

3 CONTACTS MUST ACCEPT 1.14±0.03[.045±.001]
 POST AND REMAIN LOCKED IN POSITION.

4 IDENTIFICATION NUMBER FOR LAST CIRCUIT MAY
 NOT APPEAR ON ALL ASSEMBLIES.

5 DIMENSIONS IN BRACKETS ARE IN INCHES.

6 HOUSING FEATURES ARE: CLOSED END WITHOUT
 LOCKING RAMP AND WITH POLARIZING TAB.

7 OBSOLETE PARTS: OBSOLETE CIS STREAMLINING PER D.RENAUD/D.SINISI

7	SUPERSEDED	55.47[2.184]	14	1-644463-4
7	SUPERSEDED	51.51[2.028]	13	1-644463-3
		47.55[1.872]	12	1-644463-2
7	SUPERSEDED	43.59[1.716]	11	1-644463-1
		39.62[1.560]	10	1-644463-0
7	SUPERSEDED	35.66[1.404]	9	644463-9
7	SUPERSEDED	31.70[1.248]	8	644463-8
7	SUPERSEDED	27.74[1.092]	7	644463-7
		23.77[.936]	6	644463-6
7	SUPERSEDED	19.81[.780]	5	644463-5
		15.85[.624]	4	644463-4
7	SUPERSEDED	11.89[.468]	3	644463-3
7	SUPERSEDED	7.92[.312]	2	644463-2

THIS DRAWING IS A CONTROLLED DOCUMENT.

DWN S. CARPENTER 21JUL2003
 CHK D. BOSSI 21JUL2003
 APVD D. BOSSI 21JUL2003

DIMENSIONS: mm [INCHES] TOLERANCES UNLESS OTHERWISE SPECIFIED:
 0 PLC ± -
 1 PLC ± -
 2 PLC ± -
 3 PLC ± 0.13 [.005]
 4 PLC ± -
 ANGLES ± -

MATERIAL 1 FINISH 1

108-1051
 APPLICATION SPEC
 114-1020
 WEIGHT -

CUSTOMER DRAWING

TE Connectivity
 MTA 156 CONNECTOR ASSEMBLY,
 22 AWG, STANDARD

SIZE A2 CAGE CODE 00779 DRAWING NO. C-644463 RESTRICTED TO -

SCALE 4:1 SHEET 1 OF 1 REV E1

