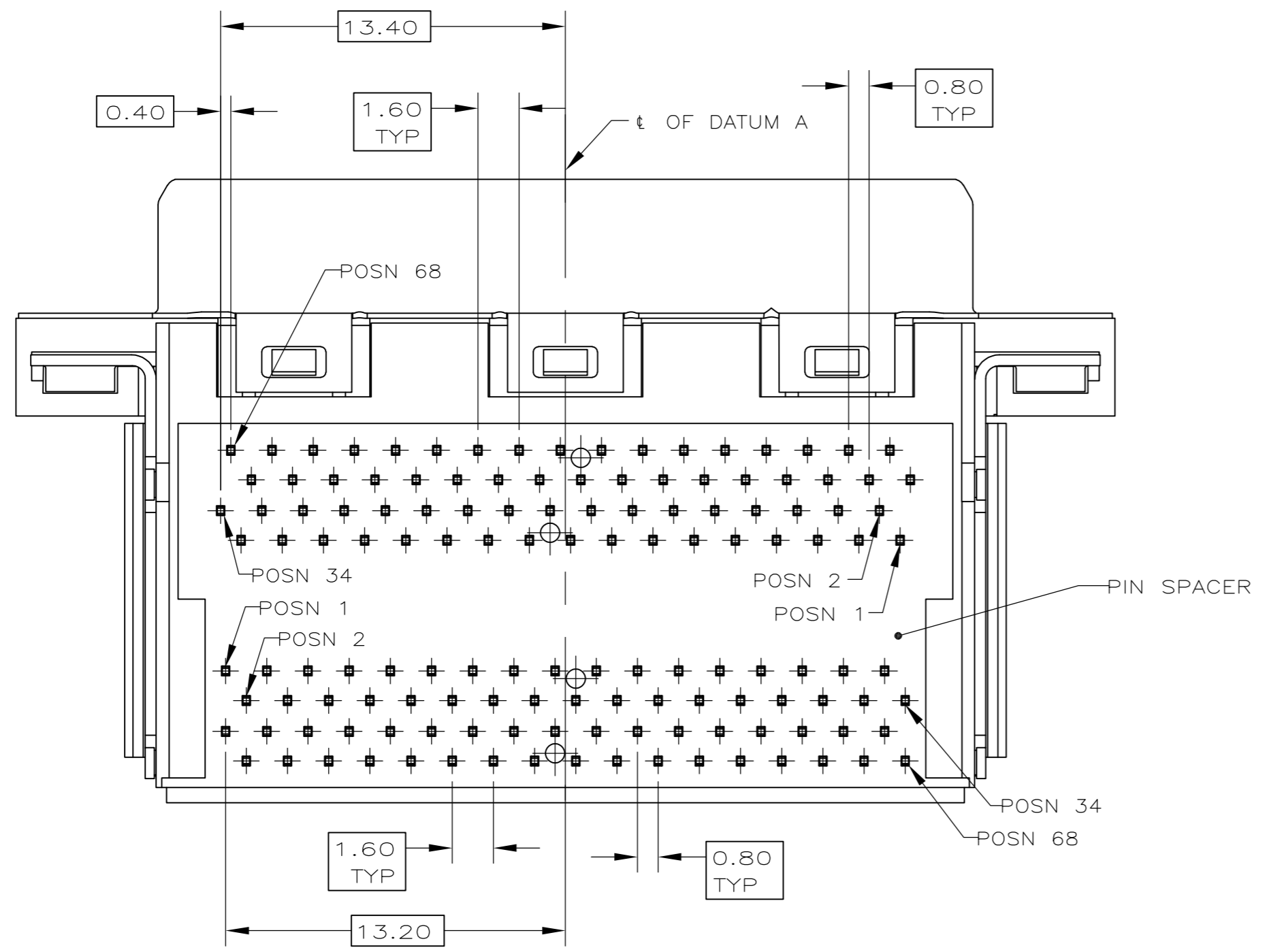
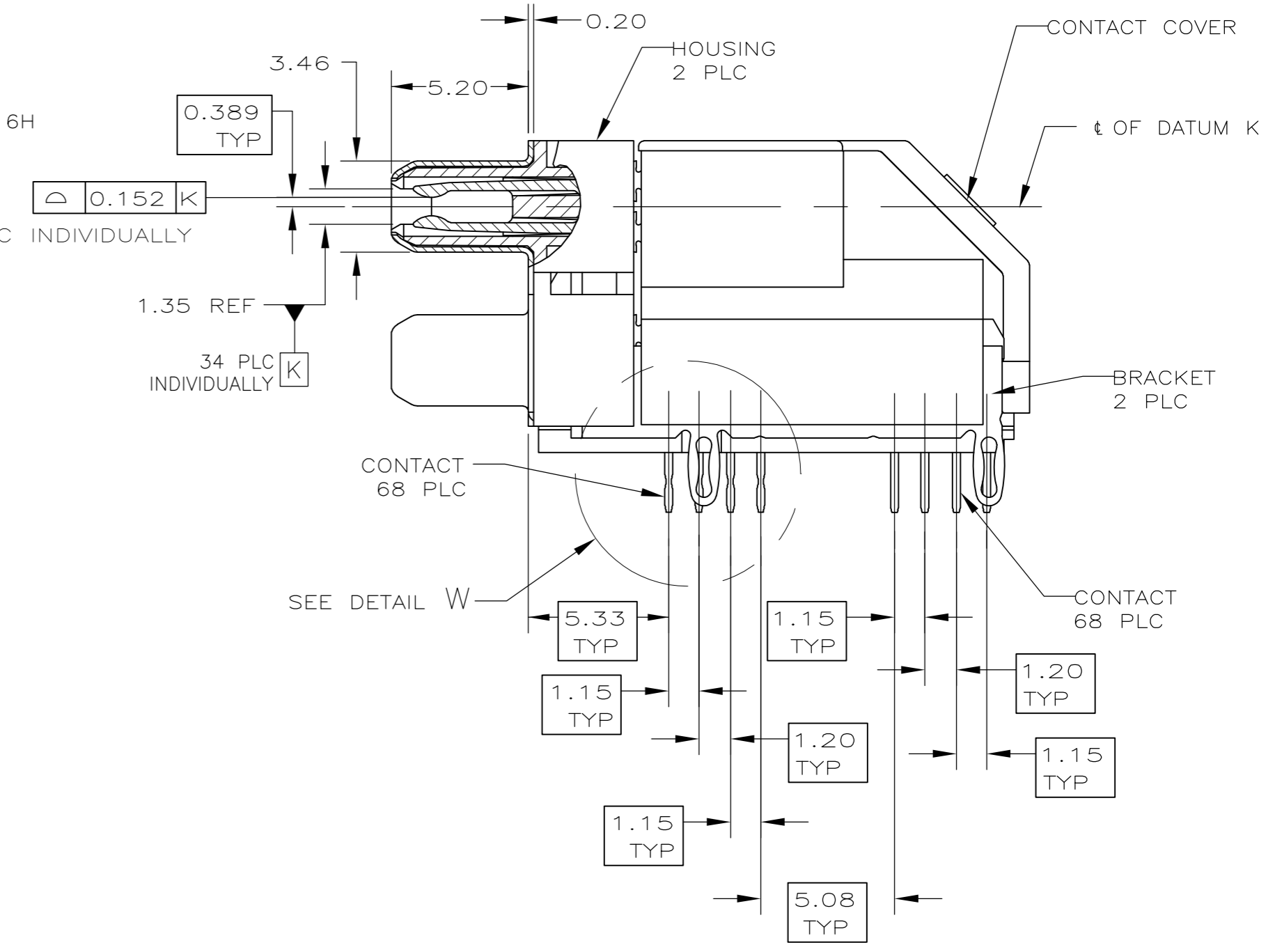
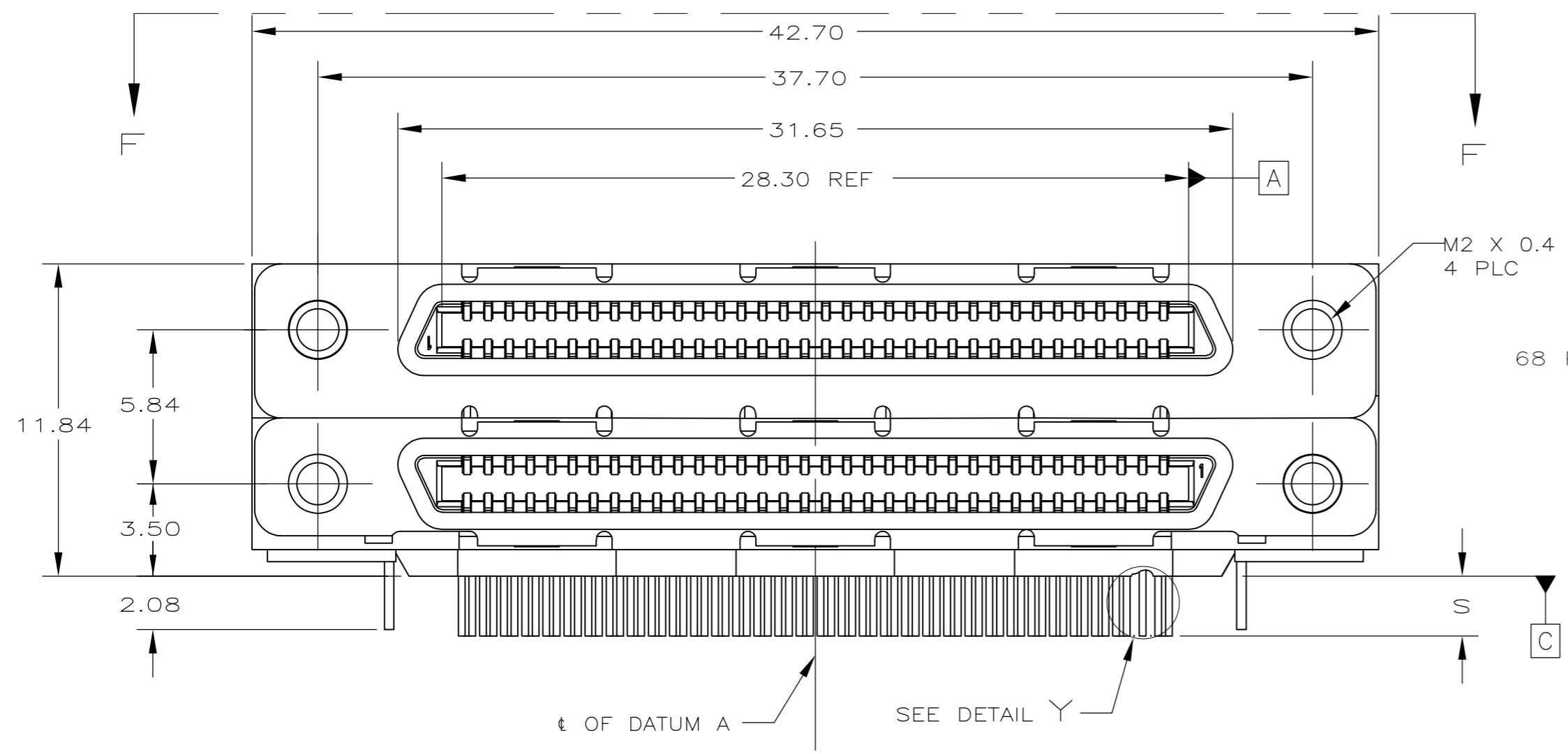


THIS DRAWING IS UNPUBLISHED. RELEASED FOR PUBLICATION
 © COPYRIGHT - By - ALL RIGHTS RESERVED.

LOC		DIST		REVISIONS			
P	LTR	DESCRIPTION		DATE	DWN	APVD	
GP	00	B		REVISED PER ECO-15-005167	27APR2015	AP	EB



OBsolete	3.55	8	6489232-2
	2.27	3	6489232-1
S	REMARKS		PART NUMBER

THIS DRAWING IS A CONTROLLED DOCUMENT. DIMENSIONING AND TOLERANCING PER ASME Y14.5M-2009

DIMENSIONS:	TOLERANCES UNLESS OTHERWISE SPECIFIED:	DWN	08-03-05	TE Connectivity	
mm		J. ALCORTA - DOCK5	08-03-05	RECEPTACLE ASSEMBLY, 68 POSITION, STACKED, COVERED CONTACTS, RIGHT ANGLE, CHAMP 0.8 mm	
		CHK	S. SHUEY	08-03-05	
		APVD	M. WALMSLEY	08-03-05	
		PRODUCT SPEC	108-1471-1	SIZE	A2
		APPLICATION SPEC	114-6057	CAGE CODE	00779
MATERIAL	FINISH	WEIGHT	-	DRAWING NO	C=6489232
1	2	CUSTOMER DRAWING		SCALE	5:1

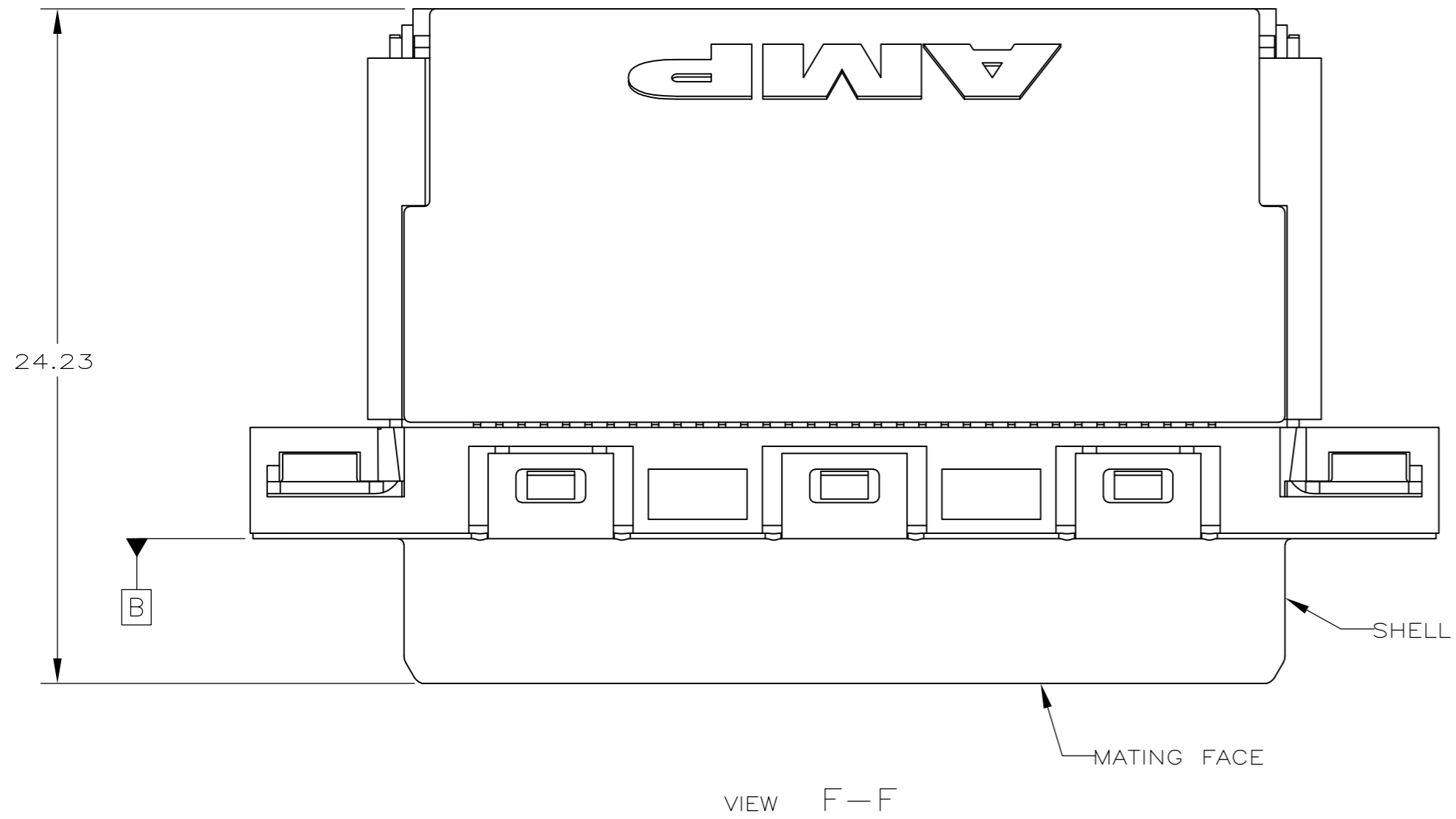
1471-9 (3/11)

COPYRIGHT 2005 TYCO ELECTRONICS CORP ALL RIGHTS RESERVED

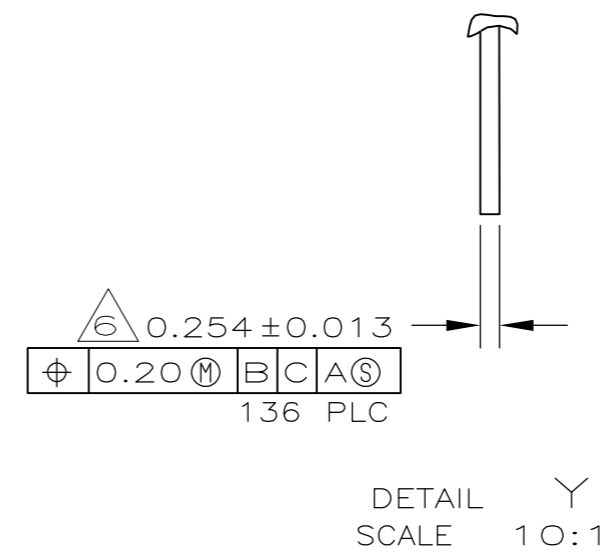
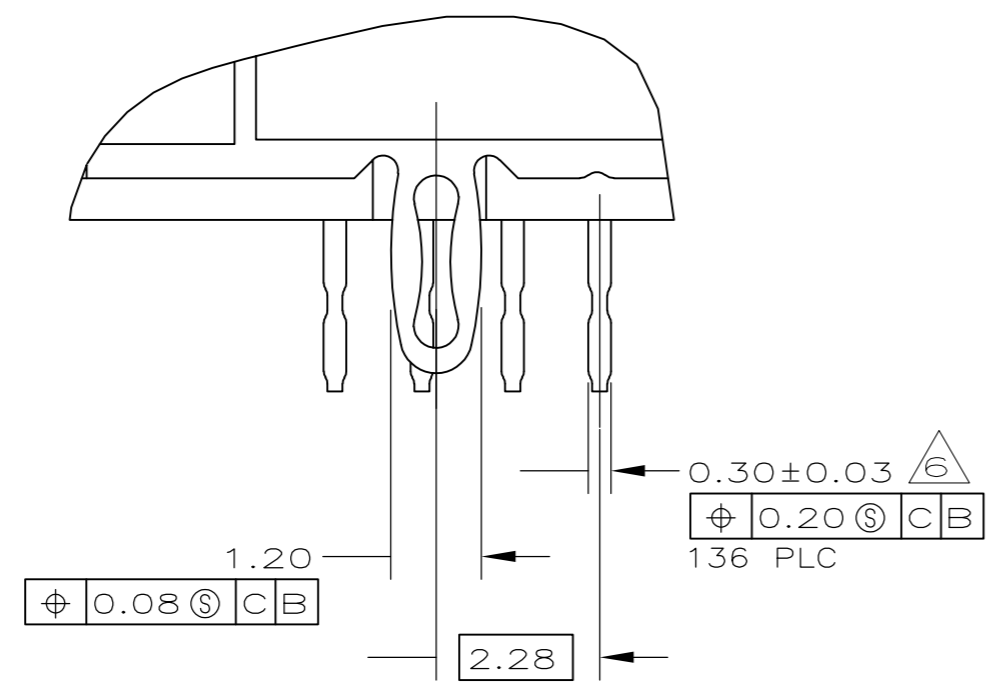
6489232

THIS DRAWING IS UNPUBLISHED. RELEASED FOR PUBLICATION
 © COPYRIGHT - By - ALL RIGHTS RESERVED.

LOC		DIST		REVISIONS			
P	LTR	DESCRIPTION	DATE	DWN	APVD		
GP	00	SEE SHEET 1	-	-	-		



- 1 MOLDED PARTS: THERMOPLASTIC, BLACK, UL 94V-0 RATED.
SHELL: CARBON STEEL.
CONTACTS: PHOSPHOR BRONZE.
BRACKETS: STEEL.
- 2 SHELL: 5.08µm MIN NICKEL OVER 6.35µm MIN COPPER.
CONTACTS: 0.76µm MIN GOLD ON MATING END, 3.75µm MIN TIN ON OPPOSITE END, BOTH OVER 1.27µm MIN NICKEL.
BRACKETS: TIN PLATED.
- 3 CONTACTS DESIGNED FOR USE ON 1.60±0.15 THICK PC BOARD WITH PLATED THRU MOUNTING HOLES.
- 4 RECEPTACLE ASSEMBLY DESIGNED FOR USE WITH 1.12±0.08 THICK PANEL.
- 5 DATUMS AND DIMENSIONS ESTABLISHED BY CUSTOMER.
- 6 POSITION TOLERANCE APPLIES AT CONTACT TIP ONLY.
- 7 OFFSET DIMENSION APPLIES TO LOWER FOOTPRINT ONLY.
- 8 CONTACTS DESIGNED FOR USE ON 2.35±0.15 THICK PC BOARD WITH PLATED THRU MOUNTING HOLES.

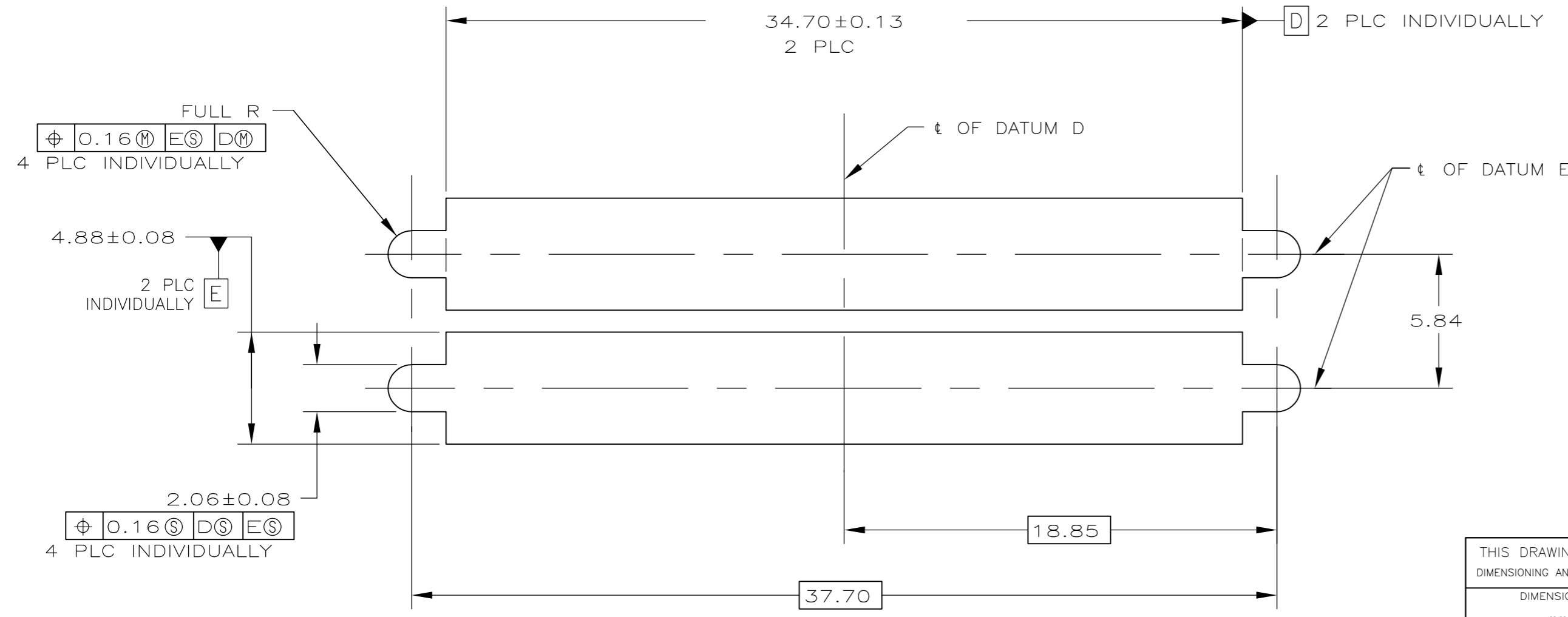
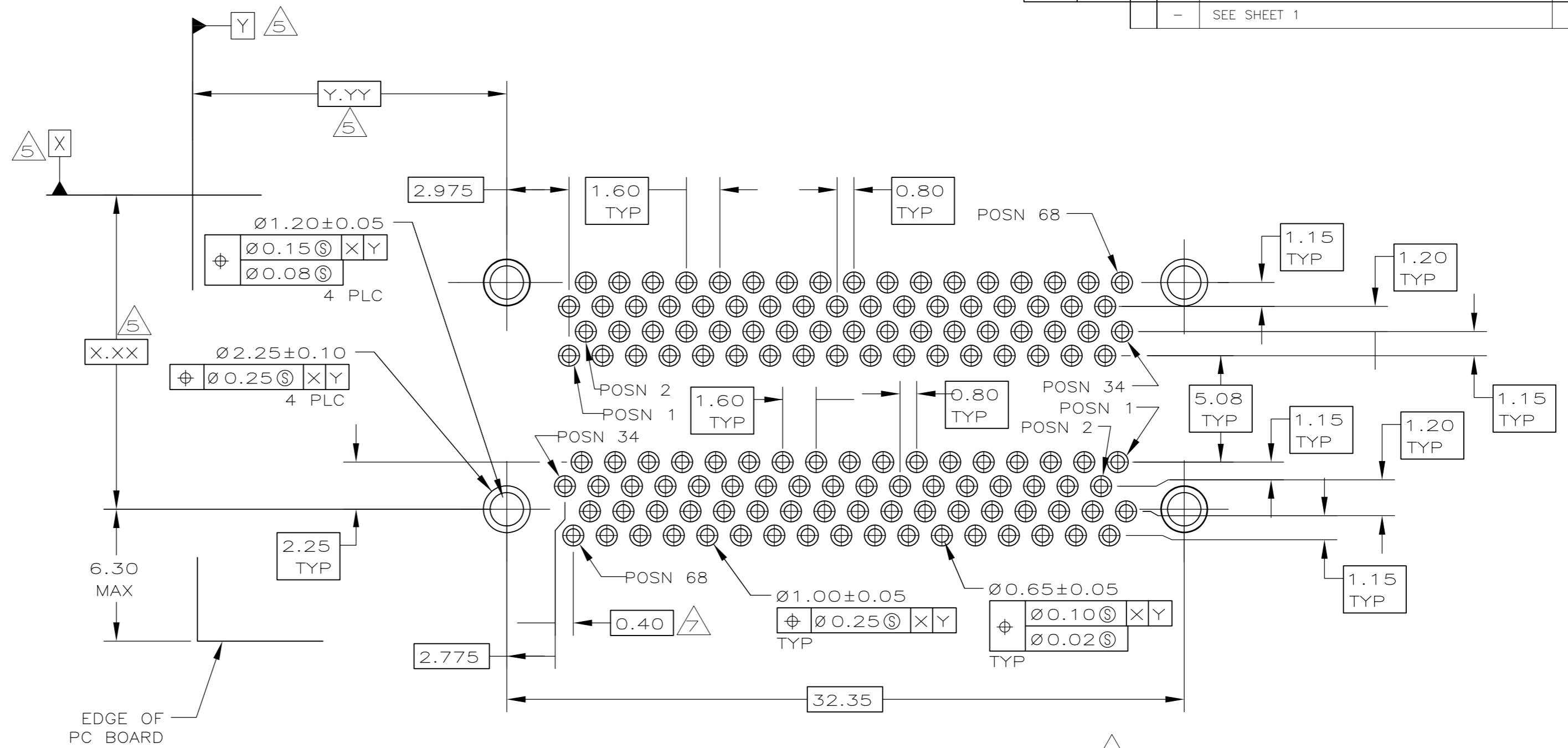


**COPYRIGHT 2005
 TYCO ELECTRONICS CORP
 ALL RIGHTS RESERVED**

THIS DRAWING IS A CONTROLLED DOCUMENT. DIMENSIONING AND TOLERANCING PER ASME Y14.5M-2009		DWN J. ALCORTA - DOCK5 08-03-05	TE Connectivity	
DIMENSIONS: mm		CHK S. SHUEY 08-03-05	NAME RECEPTACLE ASSEMBLY, 68 POSITION, STACKED, COVERED CONTACTS, RIGHT ANGLE, CHAMP 0.8mm	
TOLERANCES UNLESS OTHERWISE SPECIFIED: 0 PLC ± - 1 PLC ± - 2 PLC ± 0.13 3 PLC ± - 4 PLC ± - ANGLES ± 1°		APVD M. WALMSLEY 08-03-05	DRAWING NO A2 00779 C=6489232	
MATERIAL -		FINISH -	WEIGHT -	RESTRICTED TO -
CUSTOMER DRAWING			SCALE 5:1	SHEET 2 of 3 REV B

THIS DRAWING IS UNPUBLISHED. RELEASED FOR PUBLICATION
 © COPYRIGHT - By - ALL RIGHTS RESERVED.

LOC	DIST	REVISIONS					
GP	00	P	LTR	DESCRIPTION	DATE	DWN	APVD
		-		SEE SHEET 1	-	-	-



**COPYRIGHT 2005
 TYCO ELECTRONICS CORP
 ALL RIGHTS RESERVED**

THIS DRAWING IS A CONTROLLED DOCUMENT. DIMENSIONING AND TOLERANCING PER ASME Y14.5M-2009		DWN J. ALCORTA - 08-03-05	TE Connectivity	
DIMENSIONS: mm		CHK S. SHUEY	NAME	
TOLERANCES UNLESS OTHERWISE SPECIFIED:		APVD M. WALMSLEY	RECEPTACLE ASSEMBLY, 68 POSITION, STACKED, COVERED, CONTACTS, RIGHT ANGLE, CHAMP 0.8mm	
0 PLC \pm -		PRODUCT SPEC	SIZE	RESTRICTED TO
1 PLC \pm -		APPLICATION SPEC	CAGE CODE	
2 PLC ± 0.13		WEIGHT	DRAWING NO	
3 PLC \pm -			A2 00779	
4 PLC \pm -		CUSTOMER DRAWING	SCALE	SHEET
ANGLES $\pm 1^\circ$			6:1	3 OF 3
FINISH				REV B