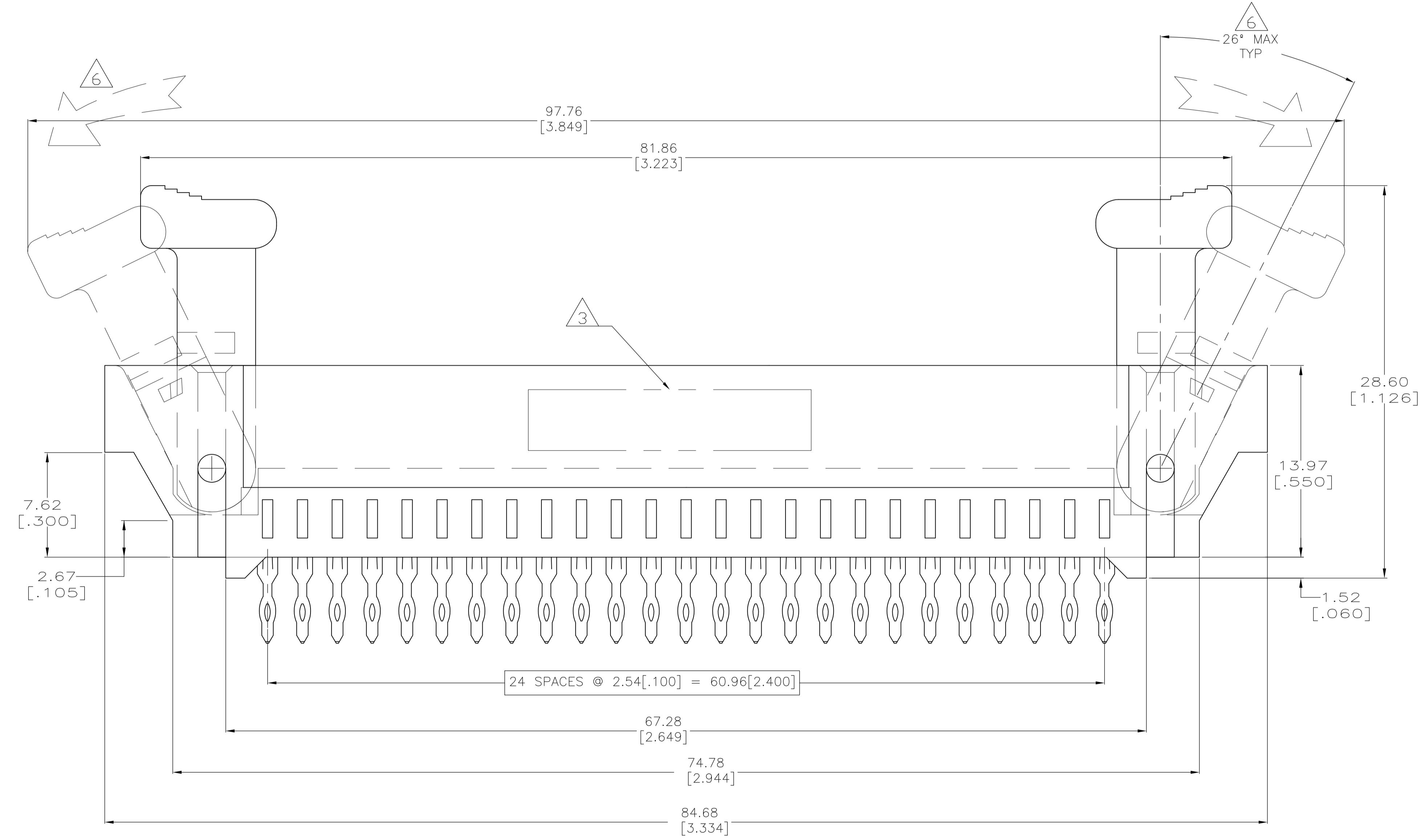
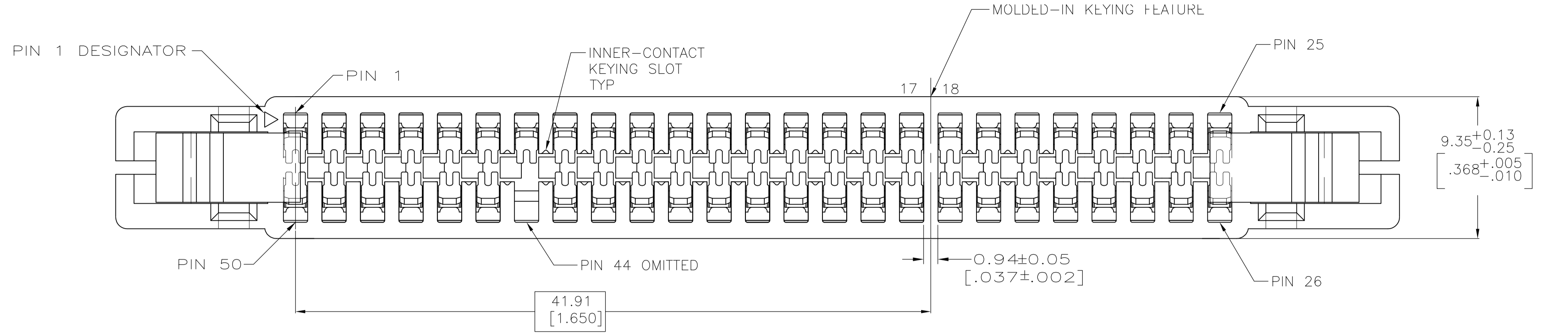
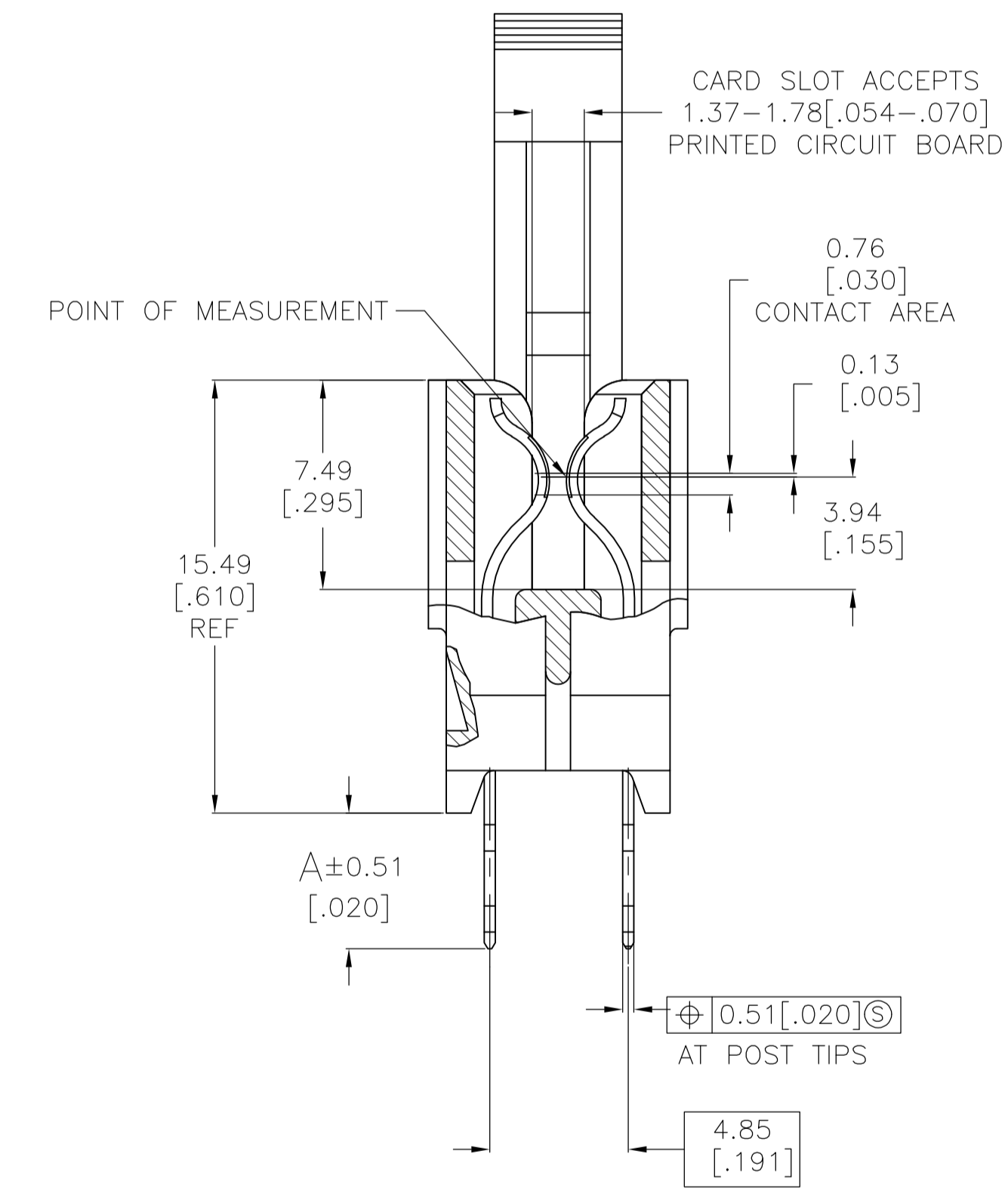


LOC	DIST	REVISIONS			
		REV	DESCRIPTION	DATE	BY
AA	00	C	ECO-07-029491	04MAR2008	LAM AWF
		C1	REVISED PER ECO-09-024927	10NOV09	KK AEG



- MATERIAL:
 HOUSING: GLASS FILLED POLYESTER; COLOR: BLACK.
 CONTACT: HIGH CONDUCTIVITY COPPER ALLOY
 LATCH: GLASS FILLED POLYESTER, COLOR: BLACK
- FINISH:
 0.00076[.000030] MIN GOLD PLATE IN CONTACT AREA,
 0.00254[.000100] MIN MATTE TIN ON SOLDER POSTS, ALL
 OVER 0.00127[.000050] MIN NICKEL
- AMP LOGO, TE PART NUMBER, DATE CODE AND CSA LOGO INK STAMPED WHITE (HOT STAMPED OR LAZER PRINTED) IN THE APPROXIMATE AREA SHOWN, EITHER SIDE PERMISSABLE, WHEN HOUSING SIZE PERMITS
- DATUMS AND BASIC DIMENSIONS ESTABLISHED BY CUSTOMER
- CONNECTORS SHOWN ARE USED IN APPLICATIONS WITH VRM MODULES WEIGHING 3 OUNCES OR LESS. ALTERNATE CONNECTOR AND LATCH METHOD IS AVAILABLE FOR VRM MODULES WEIGHING UP TO 6 OUNCES.
- CAUTION: LATCHES ARE INTENDED FOR RETENTION OF PC BOARD TO CONNECTOR. DO NOT ATTEMPT TO FULLY EJECT PC BOARD FROM CONNECTOR WHILE DISENGAGING LATCHES. DAMAGE TO LATCHES AND/OR CONNECTOR MAY OCCUR
- RECOMMENDED FINISHED HOLE SIZES:
 TIN PLATED HOLE - Ø1.02±0.08[Ø.040±.003]
 GOLD PLATED - Ø1.07±0.05[Ø.042±.002]
- OBSOLETE PARTS: OBSOLETE CIS STREAMLINING PER D.RENAUD/D.SINISI

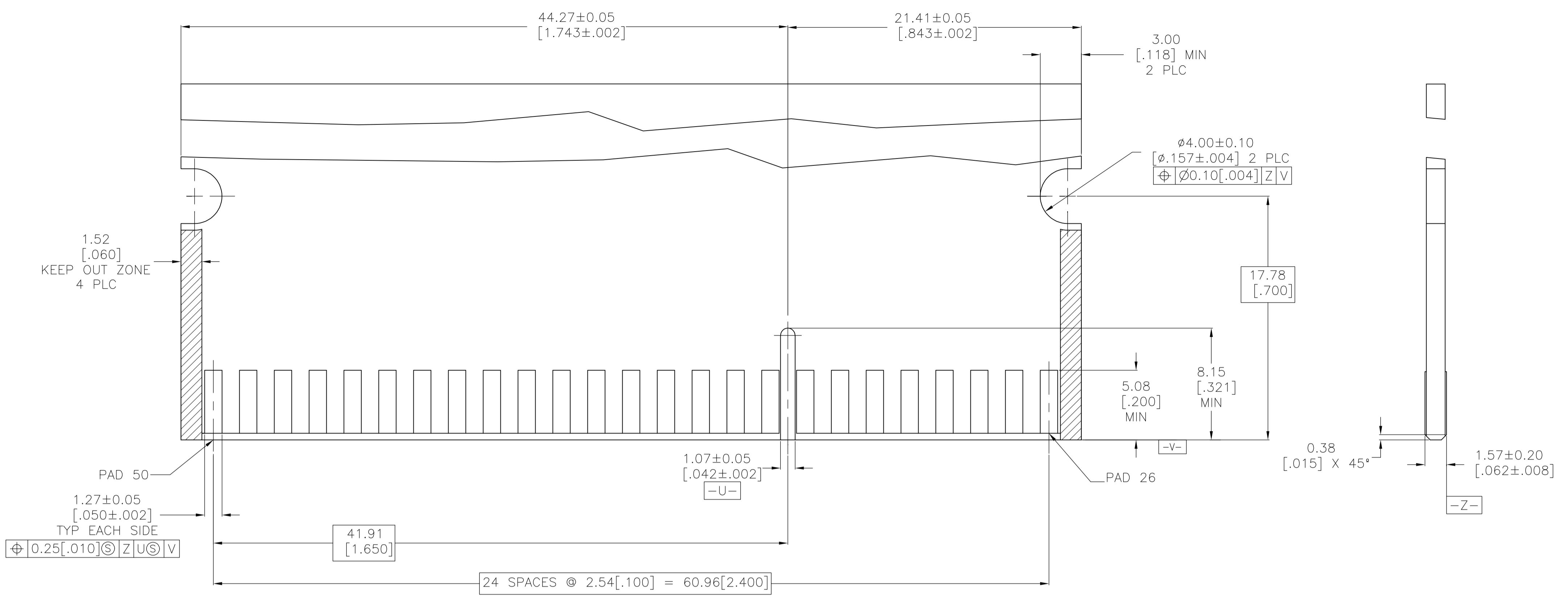


OBSOLETE	6489649-3
OBSOLETE	6489649-2

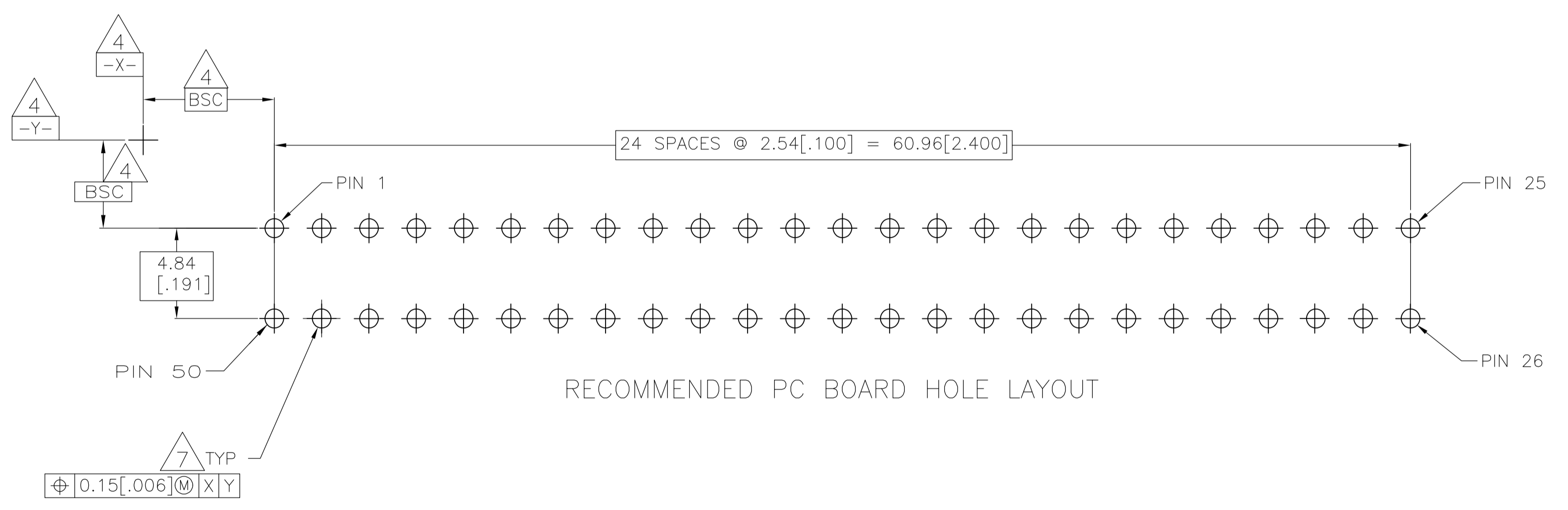
PART NUMBER

8	OBSOLETE	8.5, +12v	4.75 [.187]	25	-6489649-4-
		8.5, +12v	3.18 [.125]	25	6489649-1
	VRM DESIGNATION	A	NO OF POSITIONS		PART NUMBER

THIS DRAWING IS A CONTROLLED DOCUMENT.		DIN AWF/L.A.MAYER 04MAR2008 AWF/L.A.MAYER 04MAR2008		Tyco Electronics Corporation Harrisburg, PA 17105-3608	
DIMENSIONS: mm [INCHES]		TOLERANCES UNLESS OTHERWISE SPECIFIED: 0. PLC ± - 1. PLC ± - 2. PLC ± 0.13[.005] 3. PLC ± - 4. PLC ± - ANGLES ± °		NAME: S. FLICKINGER PRODUCT SPEC: 108-9039-1 APPLICATION SPEC: 114-13018	
MATERIAL: SEE NOTE 1		FINISH: SEE NOTE 2		SIZE: A1 CAGE CODE: 00779 DRAWING NO: 6489649 RESTRICTED TO: -	
		CUSTOMER DRAWING		SCALE: 5:1 SHEET: 1 OF 2 REV: C1	



RECOMMENDED MATING BOARD EDGE CONFIGURATION



RECOMMENDED PC BOARD HOLE LAYOUT

THIS DRAWING IS A CONTROLLED DOCUMENT.		DIN AWF/L.A.MAYER 04MAR2008		Tyco Electronics Corporation Harrisburg, PA 17105-3608	
DIMENSIONS: mm [INCHES]		TOLERANCES UNLESS OTHERWISE SPECIFIED:		AWF 04MAR2008	
0 PLC ± -		1 PLC ± -		S.FLICKINGER 04MAR2008	
1 PLC ± -		2 PLC ± 0.13[.005]		NAME	
2 PLC ± -		3 PLC ± -		CONNECTOR ASSEMBLY, HIGH CURRENT CARD EDGE, DUAL POSITION, 2.54 [.100] CENTERLINE	
3 PLC ± -		4 PLC ± -		PRODUCT SPEC	
4 PLC ± -		ANGLES ± ± °		108-9039-1	
MATERIAL SEE NOTE 1		FINISH SEE NOTE 2		APPLICATION SPEC	
				114-13018	
				SIZE CAGE CODE DRAWING NO RESTRICTED TO	
				A1 00779 6489649	
				WEIGHT	
				CUSTOMER DRAWING	
				SCALE 5:1 SHEET 2 OF 2 REV C1	