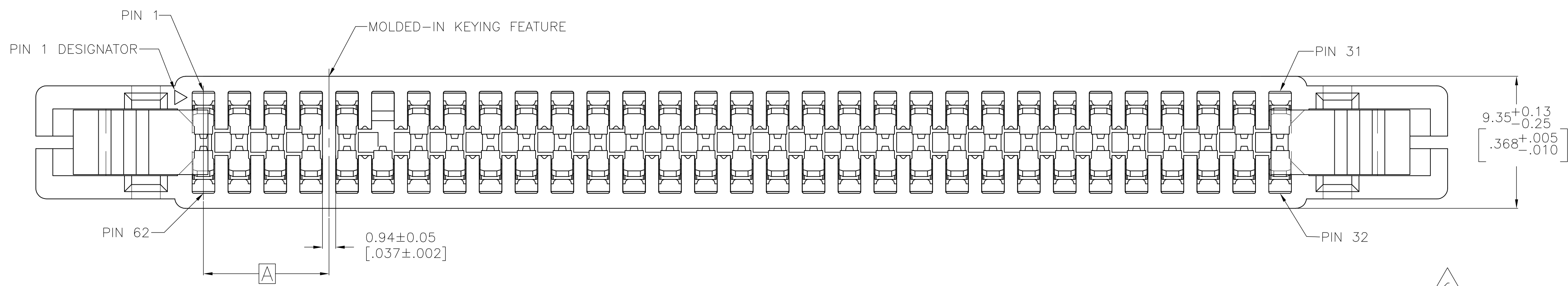
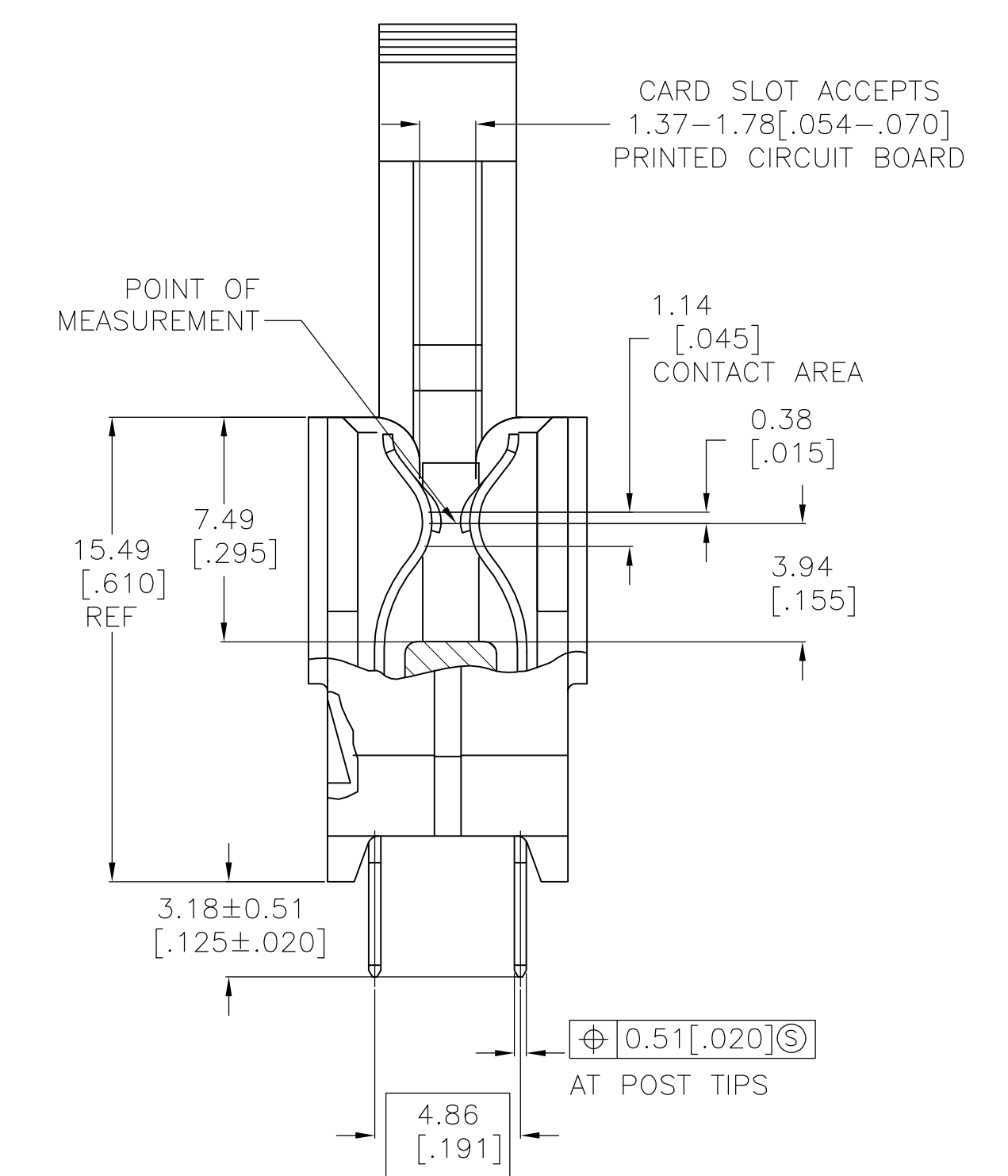
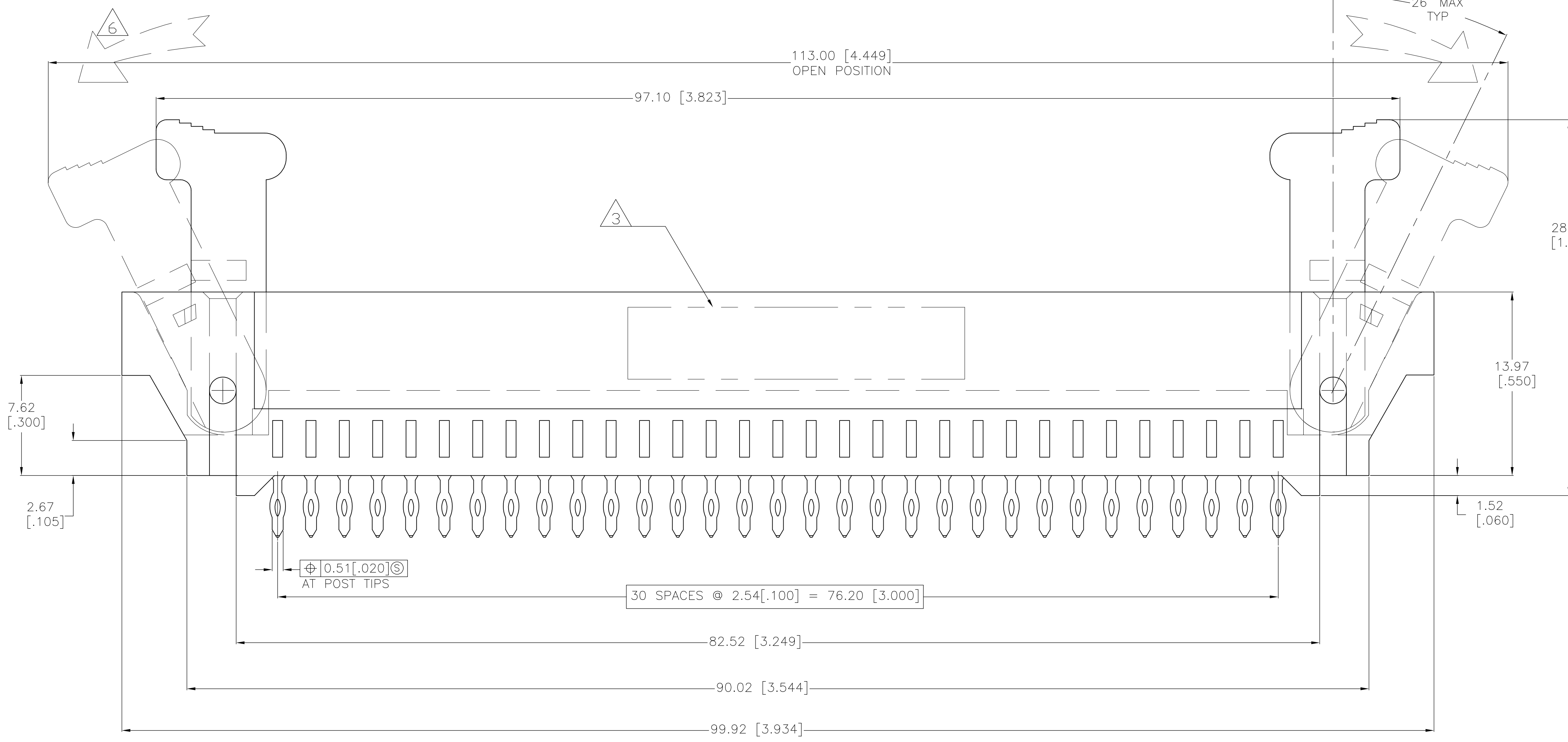


LOC		DIST		REVISIONS			
AA	00	REV	DATE	BY	CHK	APPV	
E	ECO-08-016953		7AUG08	RG	AWF		

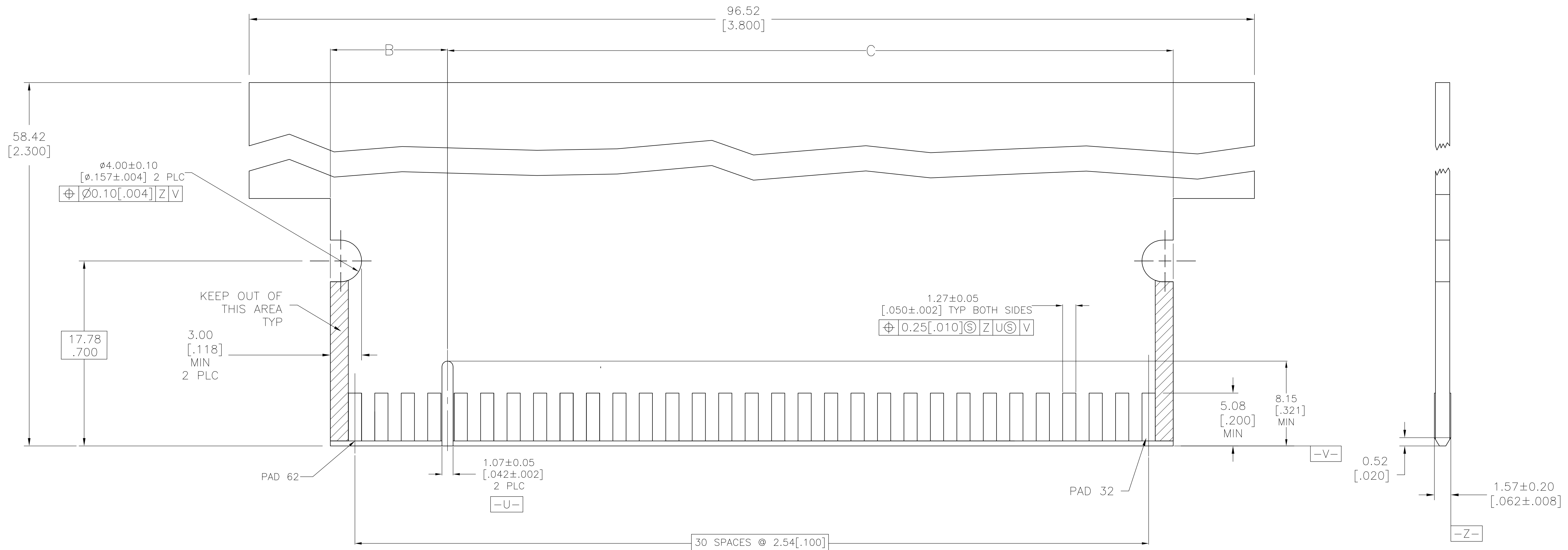


- MATERIAL:
HOUSING: GLASS FILLED POLYESTER, COLOR: BLACK.
CONTACT: HIGH CONDUCTIVITY COPPER ALLOY
LATCH: GLASS FILLED POLYESTER, COLOR: BLACK
- FINISH:
0.00038[.000015] MIN GOLD PLATE IN CONTACT AREA,
0.00254[.000100] MIN MATTE TIN ON SOLDER POSTS, ALL
OVER 0.00127[.000050] MIN NICKEL
- AMP LOGO, TE PART NUMBER, DATE CODE AND CSA LOGO INK
STAMPED WHITE (HOT STAMPED OR LAZER PRINTED) IN THE APPROXIMATE
AREA SHOWN, EITHER SIDE PERMISSABLE, WHEN HOUSING SIZE PERMITS
- DATUMS AND BASIC DIMENSIONS ESTABLISHED BY CUSTOMER
- CONNECTORS SHOWN ARE USED IN APPLICATIONS WITH VRM MODULES WEIGHING
3 OUNCES OR LESS. ALTERNATE CONNECTOR AND LATCH METHOD IS AVAILABLE FOR
VRM MODULES WEIGHING UP TO 6 OUNCES.
- CAUTION: LATCHES ARE INTENDED FOR RETENTION OF PC BOARD TO CONNECTOR.
DO NOT ATTEMPT TO FULLY EJECT PC BOARD FROM CONNECTOR WHILE DISENGAGING
LATCHES. DAMAGE TO LATCHES AND OR CONNECTOR MAY OCCUR
- RECOMMENDED FINISHED HOLE SIZES:
TIN PLATED HOLE - $\varnothing 1.02 \pm 0.08 [\varnothing 0.40 \pm 0.03]$
GOLD PLATED - $\varnothing 1.07 \pm 0.05 [\varnothing 0.42 \pm 0.02]$

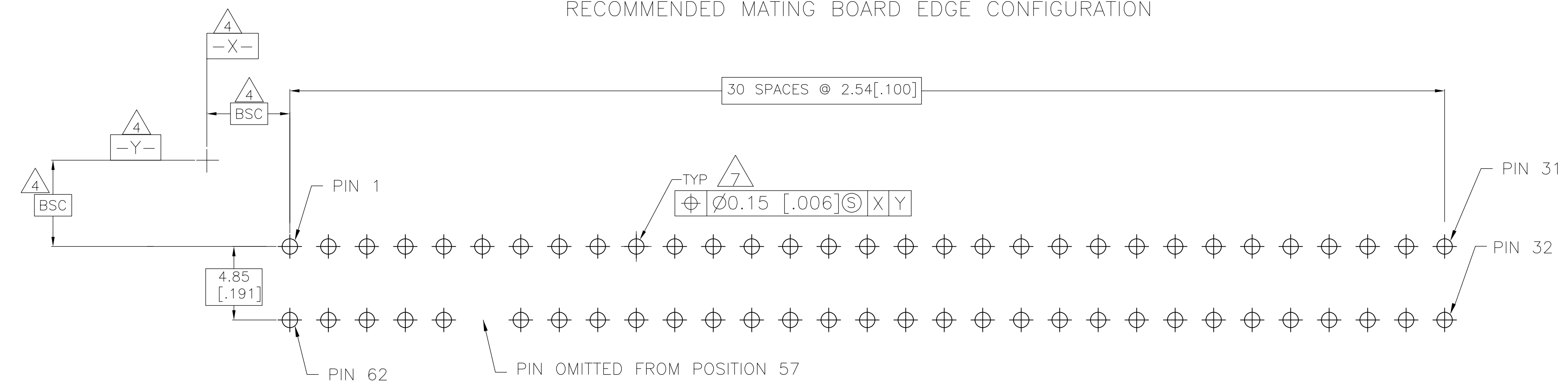


OBSOLETE	6489651-4
OBSOLETE	6489651-3
	PART NUMBER

69.67 [2.743]	11.18 [.440]	8.89 [.350]	9.1,+48v	6	4,5	2,3,29,30, 33,34,60,61	31	6489651-2
49.35 [1.943]	31.50 [1.240]	29.21 [1.150]	9.1,+12v		12,13			6489651-1
C	B	A	VRM DESIGNATION	OMIT PIN AND HOLE	MOLDED KEY BETWEEN PINS	RETENTION LOCATION	NO OF DUAL POSN	PART NUMBER
THIS DRAWING IS A CONTROLLED DOCUMENT.			DIN AWF/L.A.MAYER 04MAR2008 AWF/L.A.MAYER 04MAR2008		Tyco Electronics Corporation Harrisburg, PA 17105-3608			
DIMENSIONS: mm [INCHES]		TOLERANCES UNLESS OTHERWISE SPECIFIED:		NAME: S.FLICKINGER 04MAR2008		CONNECTOR ASSEMBLY, HIGH CURRENT CARD EDGE, DUAL POSITION, 2.54[.100] CENTERLINE		
0 PLC ± -		1 PLC ± -		PRODUCT SPEC: 108-9039-2		SIZE: A1		
2 PLC ± 0.13[.005]		3 PLC ± -		APPLICATION SPEC: 114-13018		CAGE CODE: 00779		
4 PLC ± -		ANGLES ± -		DRAWING NO: 6489651		RESTRICTED TO: -		
MATERIAL: SEE NOTE 1		FINISH: SEE NOTE 2		WEIGHT: -		CUSTOMER DRAWING		
				SCALE: 5:1		SHEET 1 OF 2		



RECOMMENDED MATING BOARD EDGE CONFIGURATION



RECOMMENDED PC BOARD HOLE LAYOUT

THIS DRAWING IS A CONTROLLED DOCUMENT.		DIN AWF/L.A.MAYER 04MAR2008	Tyco Electronics Corporation Harrisburg, PA 17105-3608
DIMENSIONS: mm [INCHES]		CHK A.W.FRANTUM 04MAR2008	
TOLERANCES UNLESS OTHERWISE SPECIFIED:		APVD S.FLICKINGER 04MAR2008	NAME
0 PLC ±	1 PLC ±	2 PLC ± 0.13[.005]	PRODUCT SPEC
3 PLC ±	4 PLC ±	ANGLES ± °	108-9039-2
MATERIAL SEE NOTE 1	FINISH SEE NOTE 2	WEIGHT	APPLICATION SPEC
		114-13018	SIZE CAGE CODE DRAWING NO RESTRICTED TO
		A1 00779 C=6489651	114-13018
		CUSTOMER DRAWING	SCALE 5:1 SHEET 2 OF 2 REV E