

4

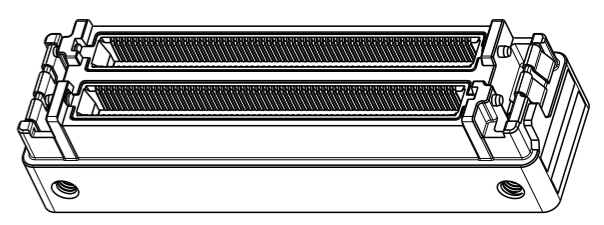
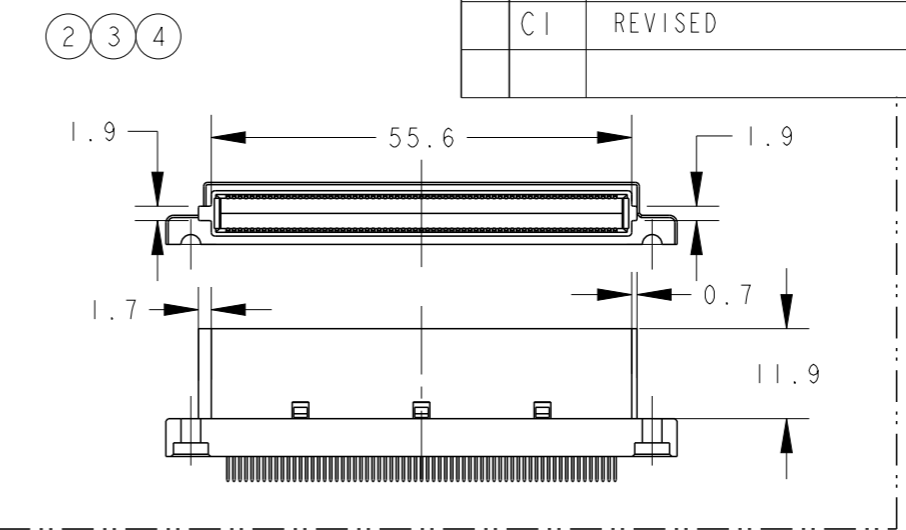
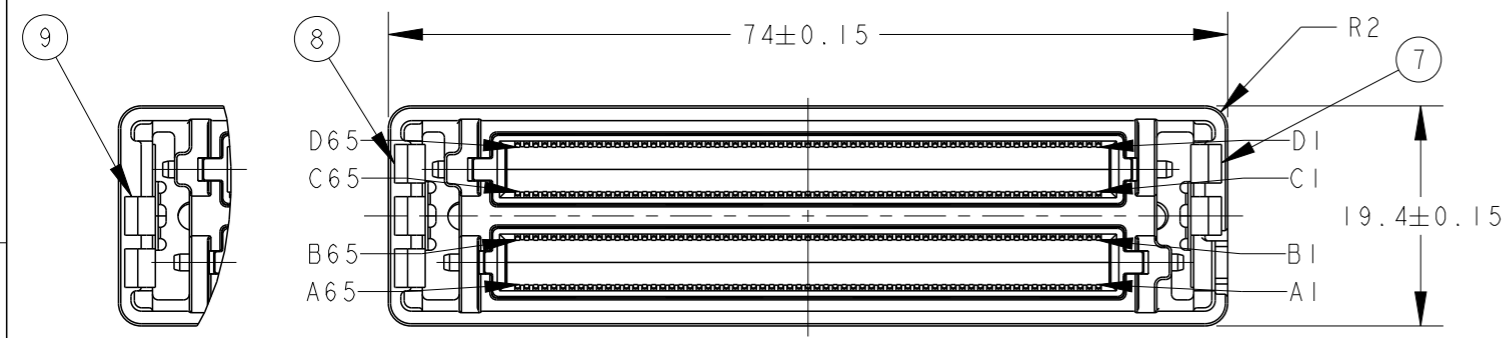
3

2

1

THIS DRAWING IS UNPUBLISHED. RELEASED FOR PUBLICATION 2008
COPYRIGHT 2008-2012 ALL RIGHTS RESERVED.

| LOC | DIST | REVISIONS | | | | | |
|-----|------|-----------|-----|-------------|-----------|-----|------|
| J | - | P | LTR | DESCRIPTION | DATE | DWN | APVD |
| | | B3 | | REVISED | 17JUN2011 | T.K | M.K |
| | | C | | REVISED | 10AUG2012 | T.K | M.K |
| | | CI | | REVISED | 28OCT2015 | T.K | M.K |

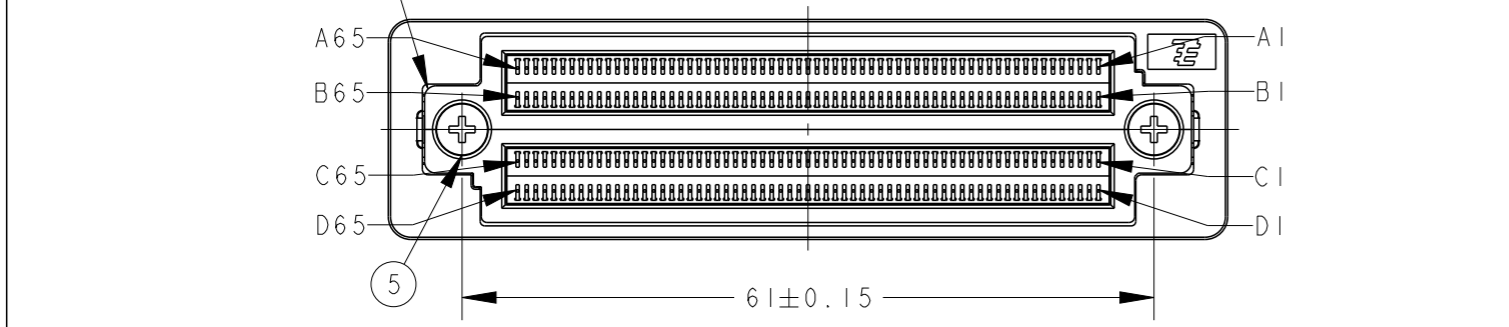
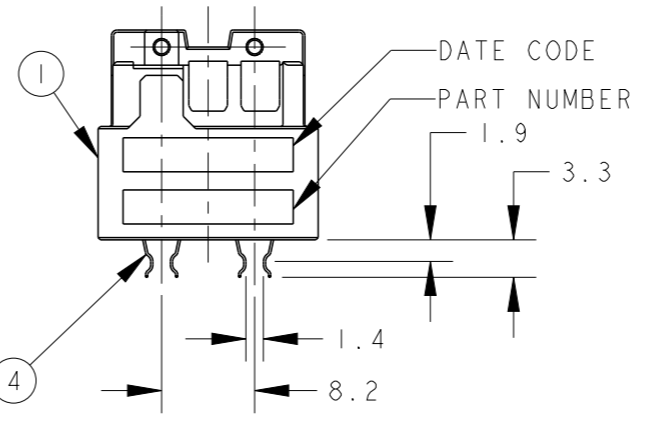
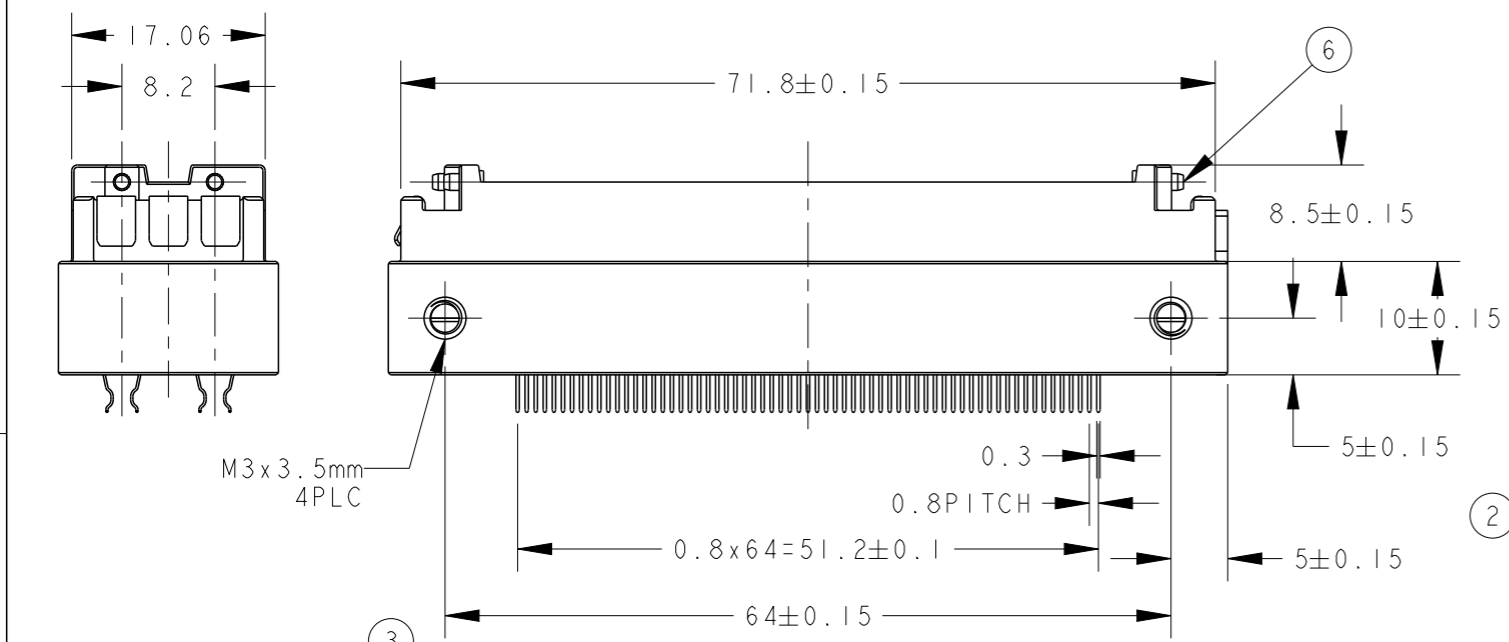


SCALE 1:1

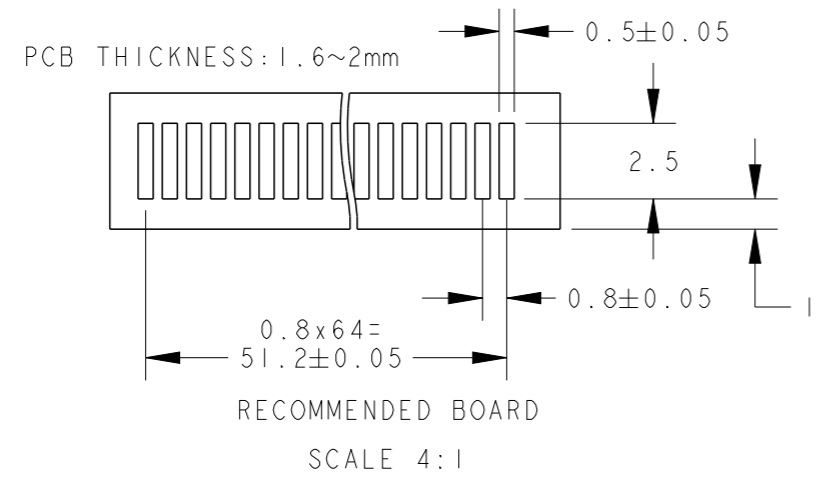
- ① MATING AREA
0.001mm MIN GOLD
OVER 0.0025mm MIN NICKEL
SOLDERING AREA
GOLD FLASH
OVER 0.00127mm MIN NICKEL
OTHERS
0.00127mm MIN NICKEL
- ② SHILED FINGER THICKNESS
0.25mm
- ③ SHILED FINGER THICKNESS
0.20mm

4. PIN ASSIGNMENTS AS A REFERENCE

ROHS COMPLIANT



| QTY | FINISH | MATERIAL | NAME | ITEM NO |
|-------|-----------------------|-----------------|----------------------|---------|
| 2 | Ni PLT. | STAINLESS STEEL | SHIELD FINGER | 9 |
| - | Ni PLT. | STAINLESS STEEL | SHIELD FINGER | 8 |
| - | Ni PLT. | STAINLESS STEEL | SHIELD FINGER | 7 |
| 4 | Ni PLT. | STAINLESS STEEL | PIN FOR HOOK | 6 |
| 2 | ZINC PLATING | STEEL | M2.5 CAP SCREW | 5 |
| (260) | | COPPER ALLOY | CONTACT | 4 |
| 2 | - | LCP | COVER HOUSING | 3 |
| 4 | - | LCP | INSERT MOLD, CONTACT | 2 |
| 1 | Ni PLT 0.0025~0.005mm | ZINC DIECAST | BASE HOUSING | 1 |



THIS DRAWING IS A CONTROLLED DOCUMENT.

DWN T.Kanno 5MAR2007
CHK M.Kimura 5MAR2007
APVD M.Kimura 5MAR2007

PRODUCT SPEC 108-5771
APPLICATION SPEC 114-5505

WEIGHT 68.5g

CUSTOMER DRAWING

SCALE 1:1 SHEET 1 OF 1 REV CI

TE Connectivity

HDR ASSEMBLY
TC-ZIF CONN
0.8mm PITCH 260P

SIZE A3 CAGE CODE G-6565199 DRAWING NO. RESTRICTED TO