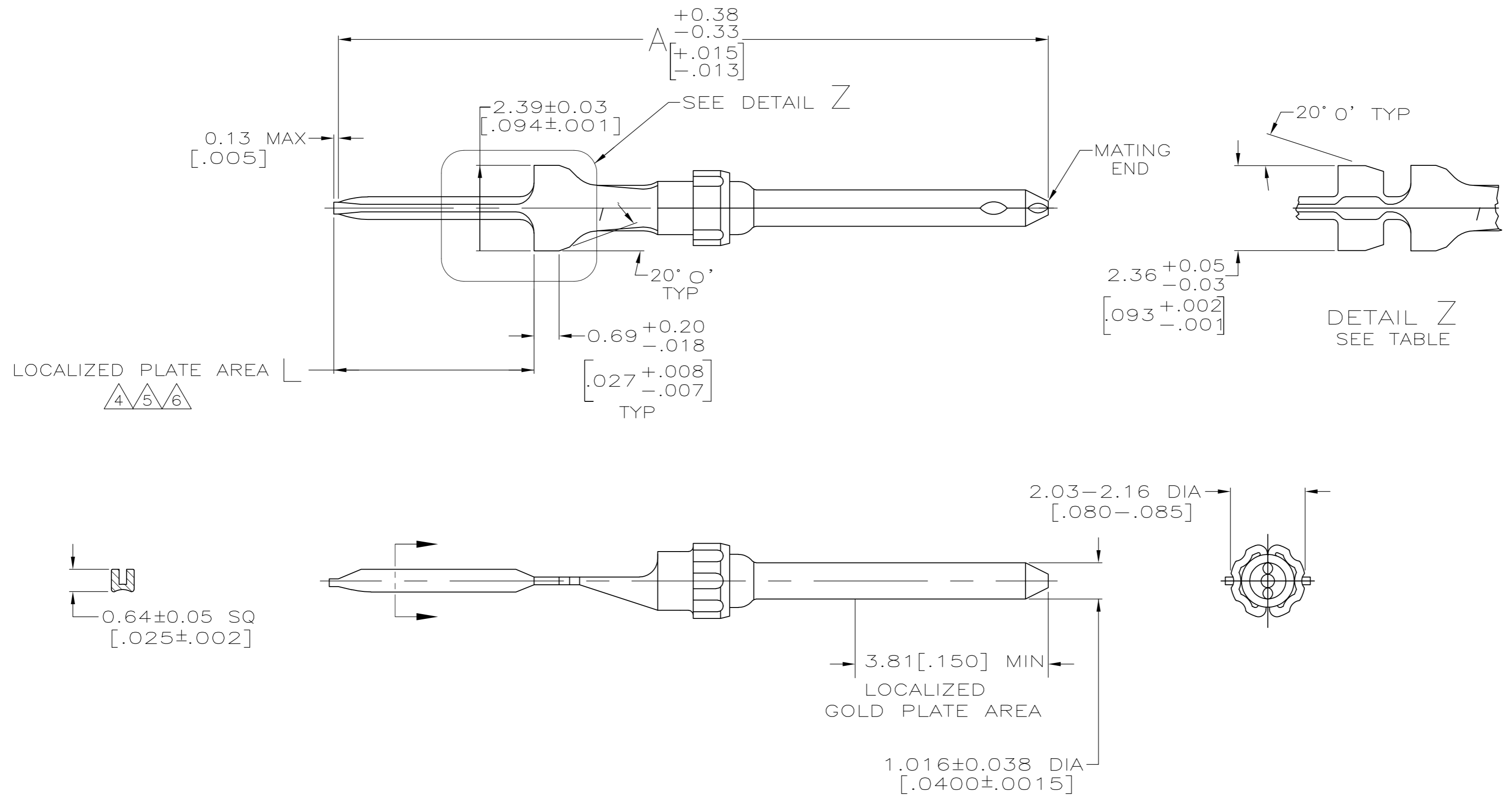


THIS DRAWING IS UNPUBLISHED. RELEASED FOR PUBLICATION
 © COPYRIGHT - By - ALL RIGHTS RESERVED.

| LOC | | DIST | | REVISIONS | | | |
|-----|-----|-------------|---------------------------|-----------|-----|------|--|
| P | LTR | DESCRIPTION | | DATE | DWN | APVD | |
| GP | 00 | L1 | REVISED PER ECO-11-004835 | 11MAR11 | RK | HMR | |



- FOR MATING CONTACT SEE DRAWING 745288.
- TO BE USED FOR REPLACEMENT ONLY.
- GOLD PLATED FOR LENGTH OF 3.81 [.150] MIN FROM MATING END, GOLD FLASH IN MATED AREA. 2.54µm [.000100] MIN TIN-LEAD ON AREA L, ALL OVER 1.27µm [.000050] MIN NICKEL.
- GOLD PLATED FOR LENGTH OF 3.81 [.150] MIN FROM MATING END, 0.76µm [.000030] MIN GOLD IN MATED AREA. 2.54µm [.000100] MIN TIN-LEAD ON AREA L, ALL OVER 1.27µm [.000050] MIN NICKEL.
- GOLD PLATED FOR LENGTH OF 3.81 [.150] MIN FROM MATING END, GOLD FLASH IN MATED AREA AND AREA L, ALL OVER 1.27µm [.000050] MIN NICKEL. GOLD PLATING ON EDGE CARRIER NOT REQUIRED.
- GOLD PLATED IN LOCALIZED GOLD PLATE AREA AS FOLLOWS:
 0.76µm [.000030] MIN GOLD IN MATED AREA 2.54µm [.000100] MIN TIN ON AREA L, ALL OVER 1.27µm [.000050] MIN NICKEL UNDERPLATE.
 OR
 GOLD FLASH OVER PALLADIUM-NICKEL PLATE, 0.76µm [.000030] MIN TOTAL IN MATED AREA, 2.54µm [.000100] MIN TIN ON AREA L, ALL OVER 1.27µm [.000050] MIN NICKEL UNDERPLATE.

| RETENTION | TINES | A | FINISH | PART NO |
|--------------------------|---------------|---|--------|------------|
| AS SHOWN | 21.67 [.853] | 6 | | 5-745287-4 |
| PER DETAIL Z | 33.07 [1.302] | 6 | | 5-745287-0 |
| PER DETAIL Z | 27.43 [1.080] | 6 | | 4-745287-7 |
| OBSOLETE | AS SHOWN | 5 | | 4-745287-2 |
| OBSOLETE | AS SHOWN | 4 | | 2-745287-0 |
| SUPERSEDED BY 2-745287-0 | | | | |
| OBSOLETE | AS SHOWN | 3 | | 1-745287-8 |
| OBSOLETE | PER DETAIL Z | 4 | | 1-745287-2 |
| OBSOLETE | PER DETAIL Z | 3 | | 1-745287-0 |
| OBSOLETE | PER DETAIL Z | 4 | | 745287-8 |
| OBSOLETE | PER DETAIL Z | 4 | | 745287-6 |
| OBSOLETE | PER DETAIL Z | 3 | | 745287-4 |
| OBSOLETE | AS SHOWN | 4 | | 745287-4 |
| OBSOLETE | AS SHOWN | 3 | | 745287-2 |

THIS DRAWING IS A CONTROLLED DOCUMENT.

| | | |
|------------------|--------------------|----------|
| DWN | R.SHIREY | 01/29/91 |
| CHK | J.McCLINTON | 2-6-91 |
| APVD | - | - |
| PRODUCT SPEC | - | |
| APPLICATION SPEC | - | |
| MATERIAL | BRASS PER MIL-C-50 | FINISH |
| SEE TABLE | | WEIGHT |
| - | | SCALE |
| CUSTOMER DRAWING | | SCALE |
| - | | SHEET |
| - | | REV |

STE TE Connectivity

PIN CONTACT, SIZE 20 DF, AMPLIMITE™

SIZE: A2 CAGE CODE: 00779 DRAWING NO: C=745287 RESTRICTED TO: -

SCALE: 10:1 SHEET: 1 of 1 REV: L1