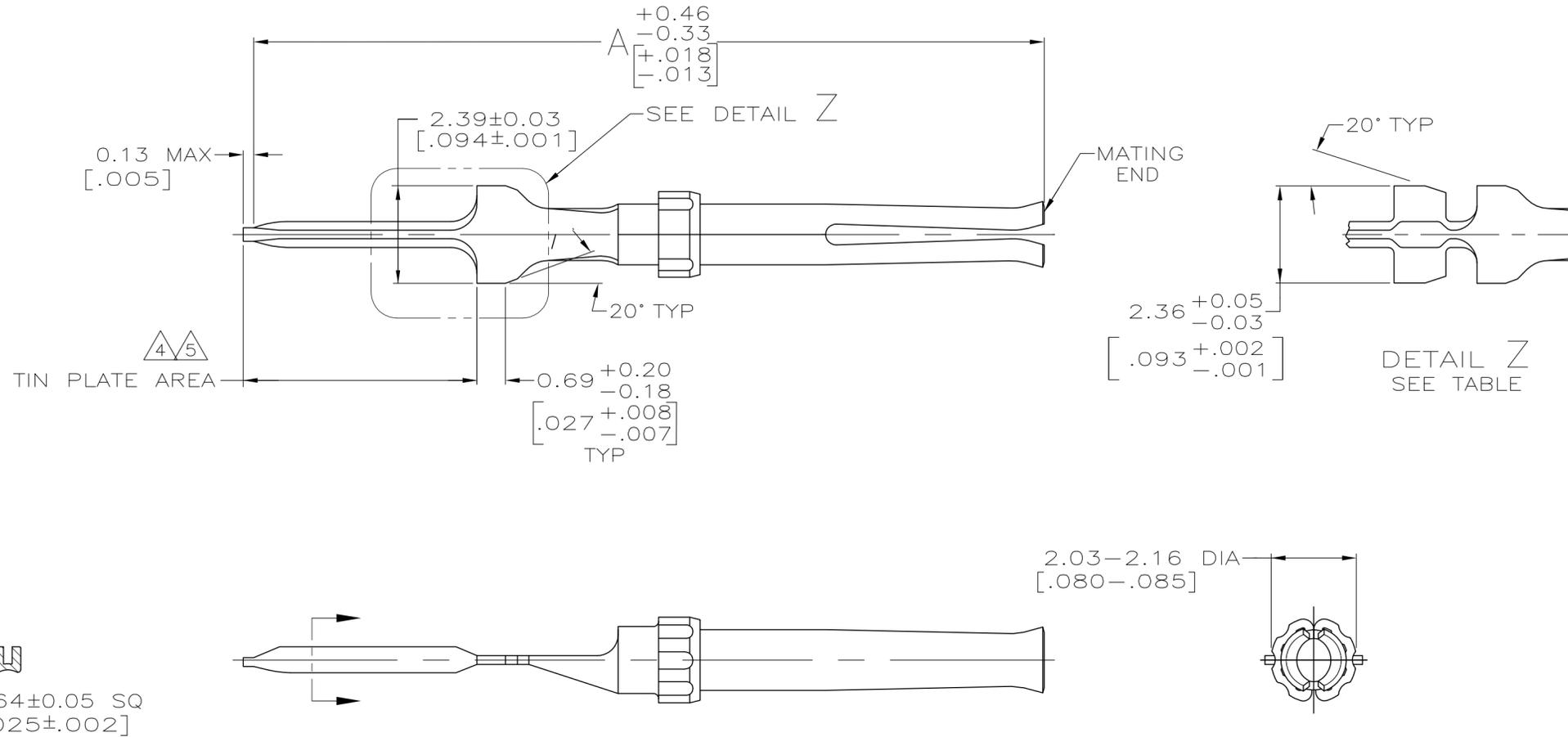


THIS DRAWING IS UNPUBLISHED. RELEASED FOR PUBLICATION
 © COPYRIGHT - By - ALL RIGHTS RESERVED.

| LOC | | DIST | | REVISIONS | | | |
|-----|-----|-------------|--|---------------------------|-----------|------|-----|
| P | LTR | DESCRIPTION | | DATE | DWN | APVD | |
| GP | 00 | M | | REVISED PER ECO-12-021105 | 27DEC2012 | CJV | SLB |



- FOR MATING CONTACT SEE DRAWING 745287.
- TO BE USED FOR REPLACEMENT ONLY.
- PLATED GOLD FLASH FOR LENGTH OF 2.54 [.100] MIN FROM MATING END, 2.54µm [.000100] MIN TIN ON TIN PLATE AREA, ALL OVER 1.27µm [.000050] MIN NICKEL.
- PLATED GOLD FLASH FOR LENGTH OF 2.54 [.100] MIN FROM MATING END 2.54µm [.000100] MIN TIN-LEAD ON TIN PLATE AREA, ALL OVER 1.27µm [.000050] MIN NICKEL.
- PLATED 0.76µm [.000030] GOLD FOR LENGTH OF 2.54 [.100] MIN FROM MATING END, 2.54µm [.000100] MIN TIN-LEAD ON TIN PLATE AREA, ALL OVER 1.27µm [.000050] MIN NICKEL.
- GOLD PLATED AS FOLLOWS:
 PLATED WITH 0.76µm [.000030] GOLD FOR A LENGTH OF 2.54 [.100] MIN FROM MATING END, 2.54µm [.000100] MIN TIN ON TIN PLATE AREA, ALL OVER 1.27µm [.000050] MIN NICKEL.
 OR
 GOLD FLASH OVER PALLADIUM-NICKEL PLATE, 0.76µm [.000030] MIN TOTAL FOR A LENGTH OF 2.54 [.100] MIN FROM MATING END, 2.54µm [.000100] MIN TIN ON TIN PLATE AREA, ALL OVER 1.27µm [.000050] MIN NICKEL.
- MATERIAL: PHOSPHOR BRONZE.

| REVISION | DESCRIPTION | DATE | DWN | APVD | PART NO |
|----------|--------------|---------------|-----|------|------------|
| 3 | PER DETAIL Z | 26.92 [1.060] | 3 | | 7-745288-2 |
| 6 | AS SHOWN | 30.15 [1.187] | 6 | | 7-745288-0 |
| 6 | PER DETAIL Z | 32.56 [1.282] | 6 | | 6-745288-1 |
| 6 | PER DETAIL Z | 26.92 [1.060] | 6 | | 5-745288-8 |
| 6 | AS SHOWN | 19.30 [.760] | 6 | | 5-745288-5 |
| 5 | AS SHOWN | 30.15 [1.187] | 5 | | 4-745288-4 |
| 5 | AS SHOWN | 21.16 [.833] | 5 | | 2-745288-0 |
| 4 | AS SHOWN | 21.16 [.833] | 4 | | 1-745288-8 |
| 5 | PER DETAIL Z | 32.56 [1.282] | 5 | | 1-745288-2 |
| 4 | PER DETAIL Z | 32.56 [1.282] | 4 | | 1-745288-0 |
| 5 | PER DETAIL Z | 26.92 [1.060] | 5 | | 745288-8 |
| 4 | PER DETAIL Z | 26.92 [1.060] | 4 | | 745288-6 |
| 5 | AS SHOWN | 19.30 [.760] | 5 | | 745288-4 |
| 4 | AS SHOWN | 19.30 [.760] | 4 | | 745288-2 |

| | | | | |
|--|----------------|---------------------------|---------------------------------------|-----------------|
| THIS DRAWING IS A CONTROLLED DOCUMENT. DIMENSIONING AND TOLERANCING PER ASME Y14.5M-2009 | | DWN R.SHIREY 29 JAN 91 | TE Connectivity | |
| DIMENSIONS: mm [INCHES] | | CHK J.MCCLINTON 06 FEB 91 | SOCKET CONTACT, SIZE 20 DF, AMPLIMITE | |
| TOLERANCES UNLESS OTHERWISE SPECIFIED: | | APVD - | SIZE A2 | CAGE CODE 00779 |
| 0 PLC ± - | 1 PLC ± - | PRODUCT SPEC - | DRAWING NO C=745288 | RESTRICTED TO - |
| 2 PLC ± 0.13 [.005] | 3 PLC ± - | APPLICATION SPEC - | SCALE 10:1 | SHEET 1 OF 1 |
| 4 PLC ± - | 5 PLC ± - | WEIGHT - | REV M | |
| ANGLES ± - | FINISH 3 4 5 6 | CUSTOMER DRAWING | | |