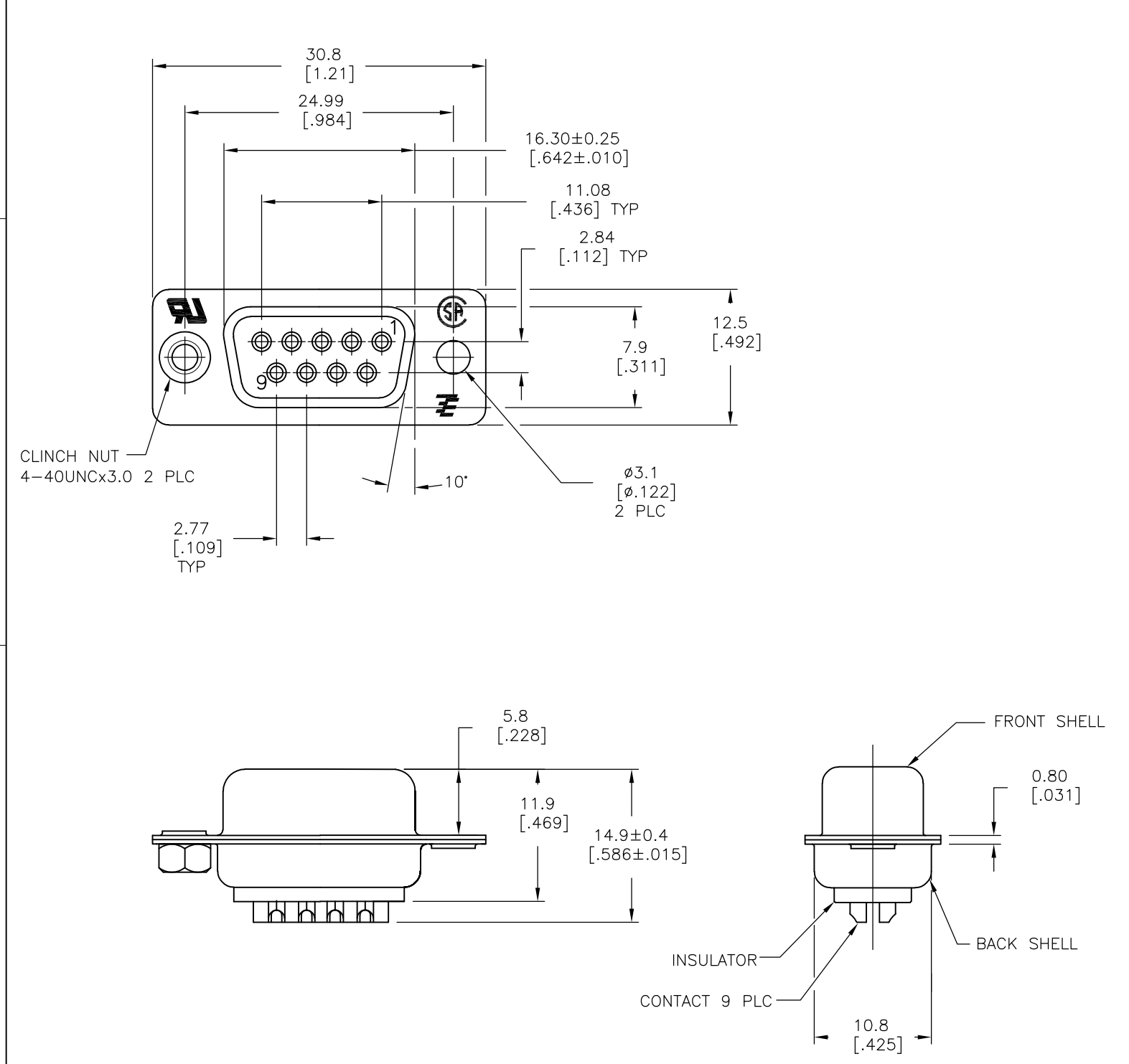


THIS DRAWING IS UNPUBLISHED. RELEASED FOR PUBLICATION  
 © COPYRIGHT - By - ALL RIGHTS RESERVED.

LOC	DIST	REVISIONS					
GP	00	P	LTR	DESCRIPTION	DATE	DWN	APVD
			AB	REVISED PER ECO-15-010090	16JUL2015	AP	DG



- 1 MATERIAL:  
 FRONT INSULATOR: PBT, 30 %GF, UL94V-0, BLACK COLOR  
 BACK INSULATOR: PBT, 30 %GF, UL94V-0, BLACK COLOR  
 CONTACT: BRASS  
 FRONT & BACK SHELL: STEEL  
 CLINCH NUTS: BRASS
- 2 FINISH:  
 CONTACT: GOLD PLATING 0.00002[.000008] MIN ON CONTACT AREA 0.00229[.000090]  
 MIN TIN-LEAD PLATING ALL OVER 0.00127[.000050] MIN NICKEL
- 3 CONTACT: GOLD PLATING 0.00076[.000030] MIN ON CONTACT AREA 0.00229[.000090]  
 MIN TIN-LEAD PLATING ALL OVER 0.00127[.000050] MIN NICKEL
- 4 SHELL: BRIGHT TIN 0.00241[.000095] MIN FULL SHELL
- 5 SHELL: BLUE ZINC: 0.00508[.000200] - 0.00762[.000300] OVER ENTIRE SHELL
- 6 CONTACT: GOLD PLATING 0.00002[.000008] MIN ON CONTACT AREA 0.00229[.000090]  
 MIN HOT DIPPED TIN-COPPER PLATING ALL OVER 0.00127[.000050] MIN NICKEL
- 7 CLINCH NUTS: NICKEL PLATING .00305-.00508[.000120-.000200]
- 8 SPECIFICATION  
 ELECTRICAL CHARACTERISTICS: CURRENT RATING: 3 AMPERES  
 DIELECTRIC WITHSTANDING VOLTAGE: AC 1000V r.m.s  
 INSULATION RESISTANCE: 5000 MEGOHMS MINIMUM AT DC 500V  
 CONTACT RESISTANCE: 10 MILLIOHMS MAXIMUM.
- 9 RECEPTACLE ASSEMBLY MATES WITH ANY 9 POSITION PLUG IN AMPLIMITE SERIES
- 10 SOLDER CUP WILL ACCOMODATE 20 AWG MAX WIRE.
- 11 ROHS 2002/95/EC/COMPLIANT
- 12 CONTACT: GOLD PLATING 0.00076[.000030] MIN ON CONTACT AREA 0.00229[.000090]  
 MIN HOT DIPPED TIN-COPPER ALL OVER 0.00127[.000050] MIN NICKEL PLATING

11	OBSOLETE	STANDARD	NO	6	5	5-747905-4
11		STANDARD	YES	6	4	5-747905-7
11		STANDARD	NO	12	4	5-747905-5
11		STANDARD	NO	6	4	5-747905-2
11	SUPERSEDED TO 5-747905-2	STANDARD	NO	6	4	747905-8
	SUPERSEDED TO 5-747905-7	STANDARD	YES	2	4	747905-7
	SUPERSEDED TO 5-747905-5	STANDARD	NO	3	4	747905-5
	SUPERSEDED TO 5-747905-4	STANDARD	NO	2	5	747905-4
	SUPERSEDED TO 5-747905-2	STANDARD	NO	2	4	747905-2

PACKAGING TYPE	7 CLINCH NUTS	CONTACTS	SHELLS	PART NO.
----------------	---------------	----------	--------	----------

THIS DRAWING IS A CONTROLLED DOCUMENT. DIMENSIONING AND TOLERANCING PER ASME Y14.5M-2009

DIMENSIONS: mm	TOLERANCES UNLESS OTHERWISE SPECIFIED:	DWN M.BINNER 03MAR03	TE Connectivity RECEPTACLE ASSEMBLY, SOLDER CUP, SIZE 1, 9 POSITION, AMPLMITE
	0 PLC ± -	CHK R.BENDORF 05MAR03	
	1 PLC ± 0.25	APVD R.BENDORF 05MAR03	
	2 PLC ± 0.13	NAME	
	3 PLC ± 0.05	PRODUCT SPEC	SIZE
	4 PLC ± -	APPLICATION SPEC	CAGE CODE
	ANGLES ± -	WEIGHT -	DRAWING NO
MATERIAL 1	FINISH SEE TABLE	CUSTOMER DRAWING	RESTRICTED TO
		SCALE 2:1	SHEET 1 OF 1
		REV AB	