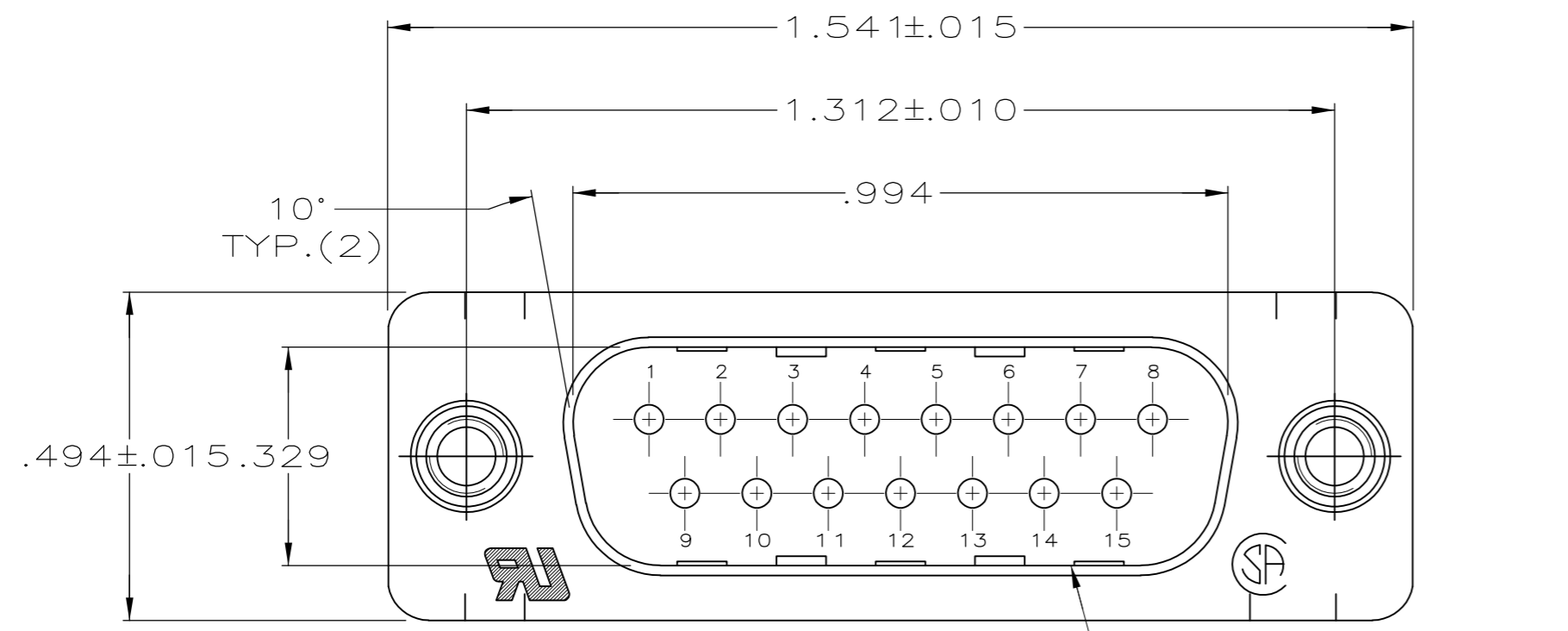
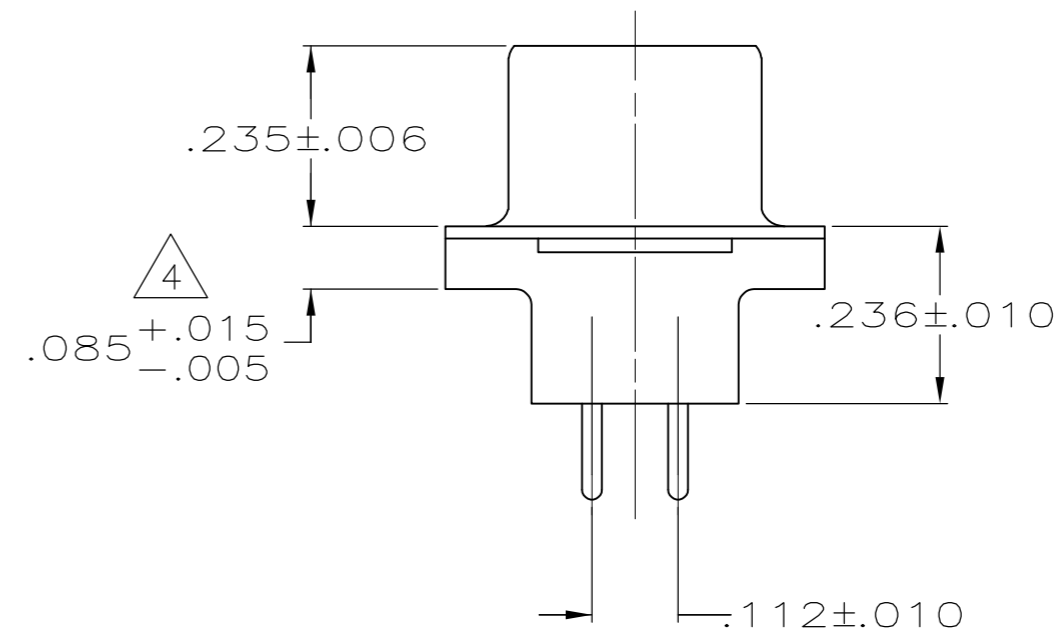
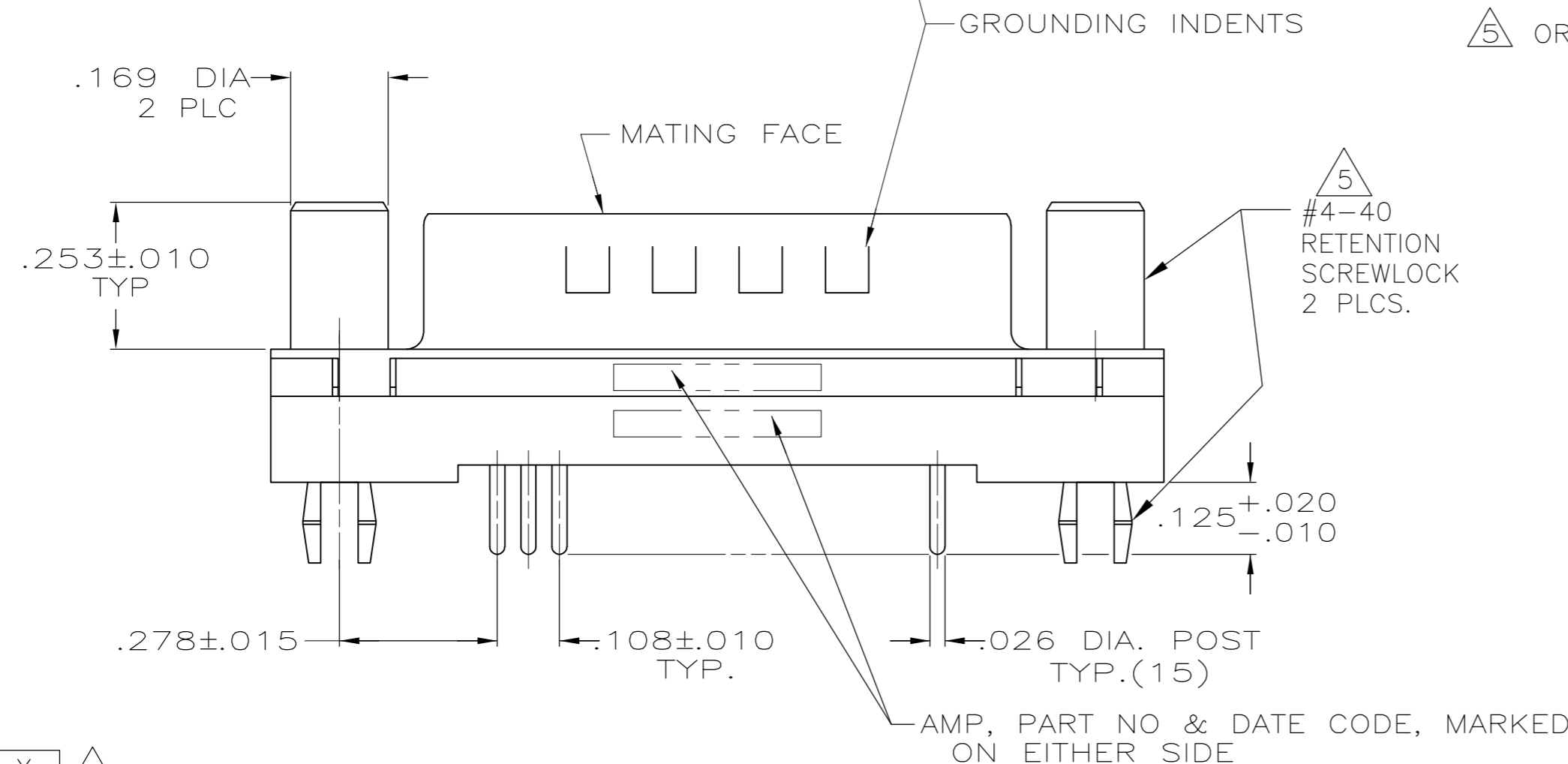


THIS DRAWING IS UNPUBLISHED. RELEASED FOR PUBLICATION
 © COPYRIGHT BY TYCO ELECTRONICS CORPORATION. ALL RIGHTS RESERVED.

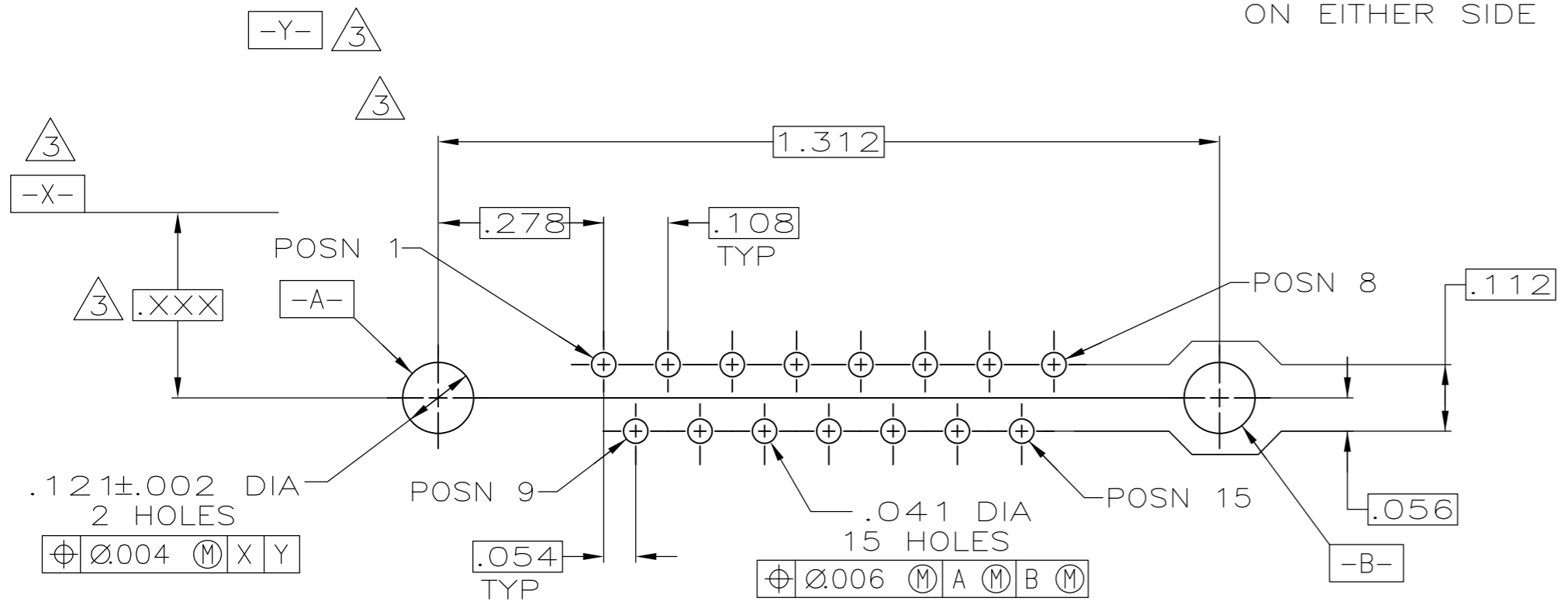
LOC		DIST		REVISIONS			
P	LTR	DESCRIPTION	DATE	DWN	APVD		
GP	00						
	L	REVISED PER ECO-09-024765	14JAN2010	CR	SB		



- 1 HOUSING: FLAME RETARDANT 94V-0 RATED THERMOPLASTIC, BLACK
SHELLS: CARBON STEEL
CONTACTS: BRASS
SCREWLOCKS: BRASS
- 2 SHELLS: .000200 MIN TIN OVER .000100 MIN COPPER.
SCREWLOCKS: .000100 MIN TIN-LEAD OVER .000050 MIN NICKEL OVER COPPER FLASH.
CONTACTS: GOLD PLATED FOR A LENGTH OF .150 FROM MATING END, .000030 MIN GOLD IN MATED AREA, .000100-.000200 BRIGHT TIN OR BRIGHT TIN-LEAD ON SOLDER END, ALL OVER .000050 MIN NICKEL ON ENTIRE CONTACT.
-OR-
GOLD FLASH OVER PALLADIUM NICKEL PLATED FOR LENGTH OF .150 FROM MATING END, .000030 MIN PALLADIUM NICKEL IN MATED AREA, .000100-.000200 BRIGHT TIN OR BRIGHT TIN-LEAD ON SOLDER END, ALL OVER .000050 MIN NICKEL ON ENTIRE CONTACT.
- 3 DATUMS AND BASIC DIMENSIONS ESTABLISHED BY CUSTOMERS.
- 4 .110 MAX IN SHELL TAB CLINCH AREAS.
- 5 ORIENTATION IS OPTIONAL AND MAY NOT BE AS SHOWN.



SCREWLOCKS OMITTED FOR CLARITY



PC BOARD MOUNTING DIMENSIONS
 CONNECTOR SIDE OF BOARD
 .062 PC BOARD THICKNESS

748026-1
 PART NUMBER

THIS DRAWING IS A CONTROLLED DOCUMENT.		DWN S. WELDON 5-9-85	Tyco Electronics Corporation Harrisburg, PA 17105-3608	
DIMENSIONS: INCHES		CHK J. GERACE 7-17-85	NAME	
TOLERANCES UNLESS OTHERWISE SPECIFIED:		APVD -	PRODUCT SPEC 108-40025	
0 PLC ± -	1 PLC ± -	APPLICATION SPEC 114-40023	SIZE CAGE CODE DRAWING NO RESTRICTED TO	
2 PLC ± -	3 PLC ± .005	WEIGHT -	A2 00779 C=748026	-
4 PLC ± -	ANGLES ± -	CUSTOMER DRAWING	SCALE NTS	SHEET 1 of 1
MATERIAL 1	FINISH 2	REV L		