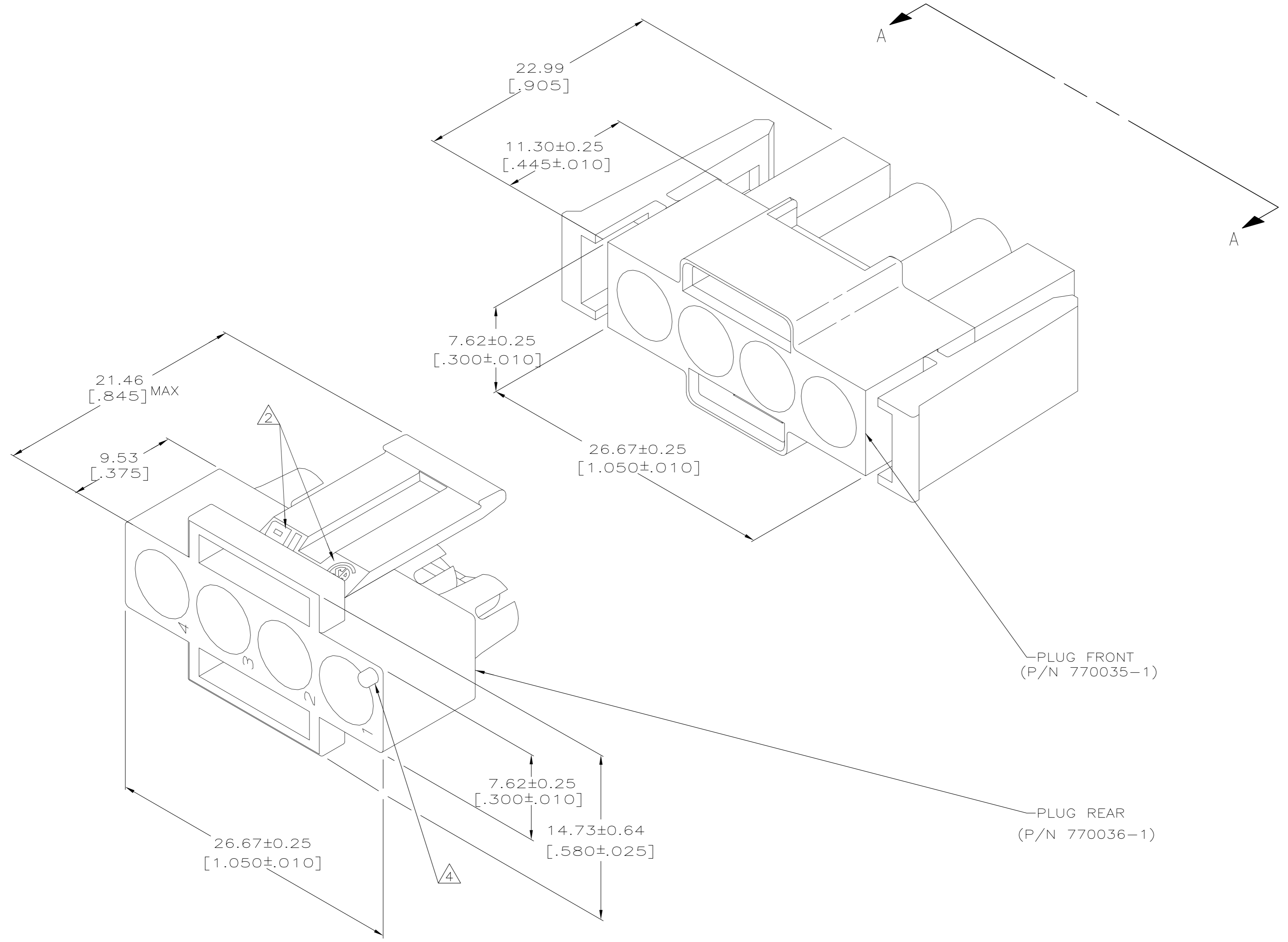
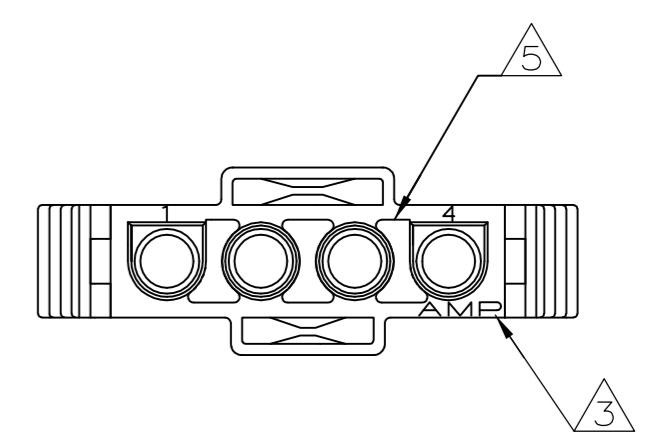


REVISIONS					
P	LTR	DESCRIPTION	DATE	DWN	APVD
E2		REVISED PER ECO-17-009556	03JUL2017	RS	SW



- BULK PACKAGED, UNASSEMBLED.
- APPROVAL AGENCY LOGO LOCATED APPROXIMATELY AS SHOWN.
- AMP LOGO LOCATED THIS SURFACE.
- CIRCUIT NUMBER ONE IDENTIFICATION BUTTON AND CIRCUIT IDENTIFICATION NUMBERS ARE EACH LOCATED ADJACENT TO THE APPROPRIATE CIRCUIT CAVITIES.
- NEW MOLD CONSTRUCTION PROVIDES MATERIAL REDUCTION CORING AT BASE OF SILOS WITH NO CORING AS OPTIONAL.
- DIMENSIONS SHOWN REPRESENT PRODUCT IN DRY, AS MOLDED CONDITION. ADDITIONAL 2% GROWTH DUE TO SUBSEQUENT MOISTURE ABSORPTION MAY OCCUR AND SHOULD BE ACCOUNTED FOR



770019-1
PART NUMBER
PART NO

METRIC

THIS DRAWING IS A CONTROLLED DOCUMENT.		DWN K. SALMON 1-22-92	TE Connectivity	
DIMENSIONS: INCHES		CHK R. SWING 1-22-92	NAME	
TOLERANCES UNLESS OTHERWISE SPECIFIED:		APVD M. TRULL 1-22-92	PLUG HOUSING KIT, 4 CIRCUIT, IN-LINE, UNIVERSAL MATE-N-LOK™	
0 PLC ± -	1 PLC ± -	PRODUCT SPEC	SIZE	CAGE CODE
2 PLC ± -	3 PLC ± 0.13 [.005]	APPLICATION SPEC	A1	00779
4 PLC ± -	ANGLES ± ± -	FINISH	00779	770019
MATERIAL NYLON,UL94V-0,	FINISH	WEIGHT 0.000000	CUSTOMER DRAWING	SCALE 5:1
		RESTRICTED TO	SHEET 1 of 1	REV E2