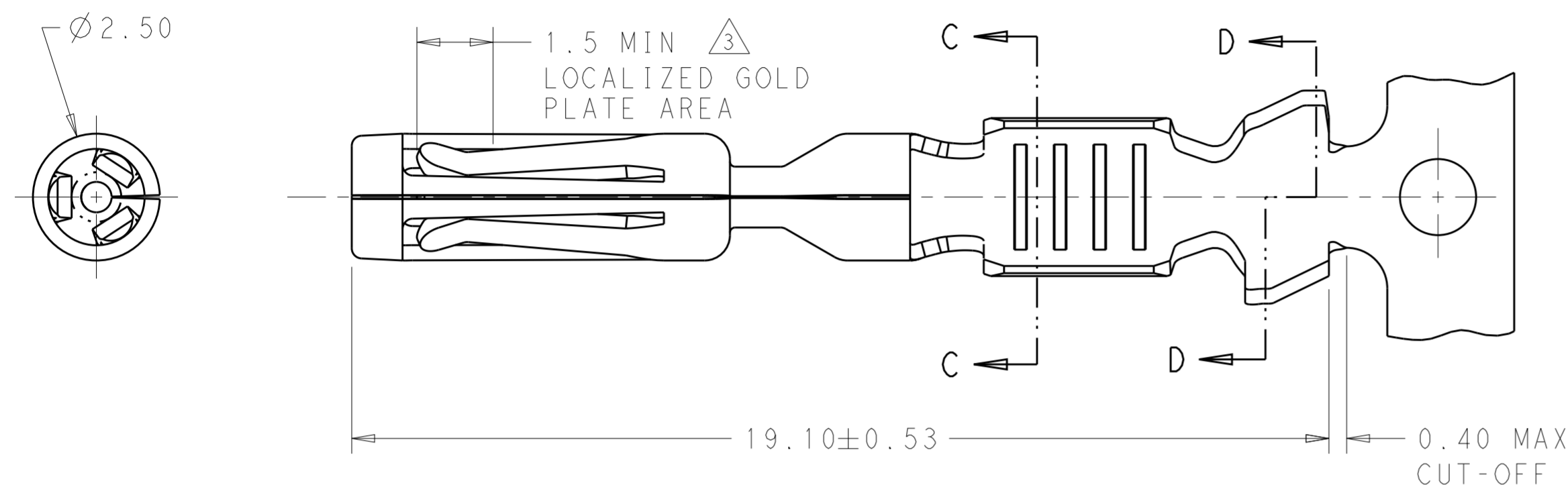
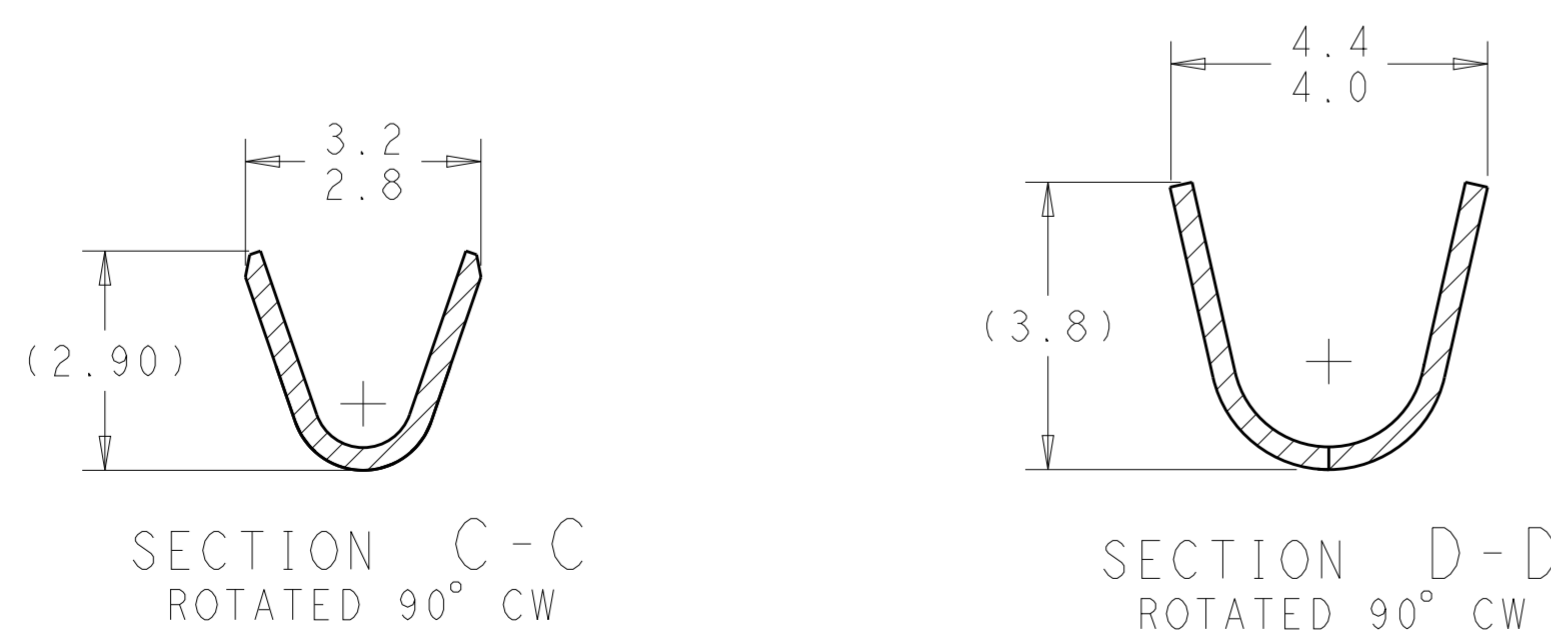
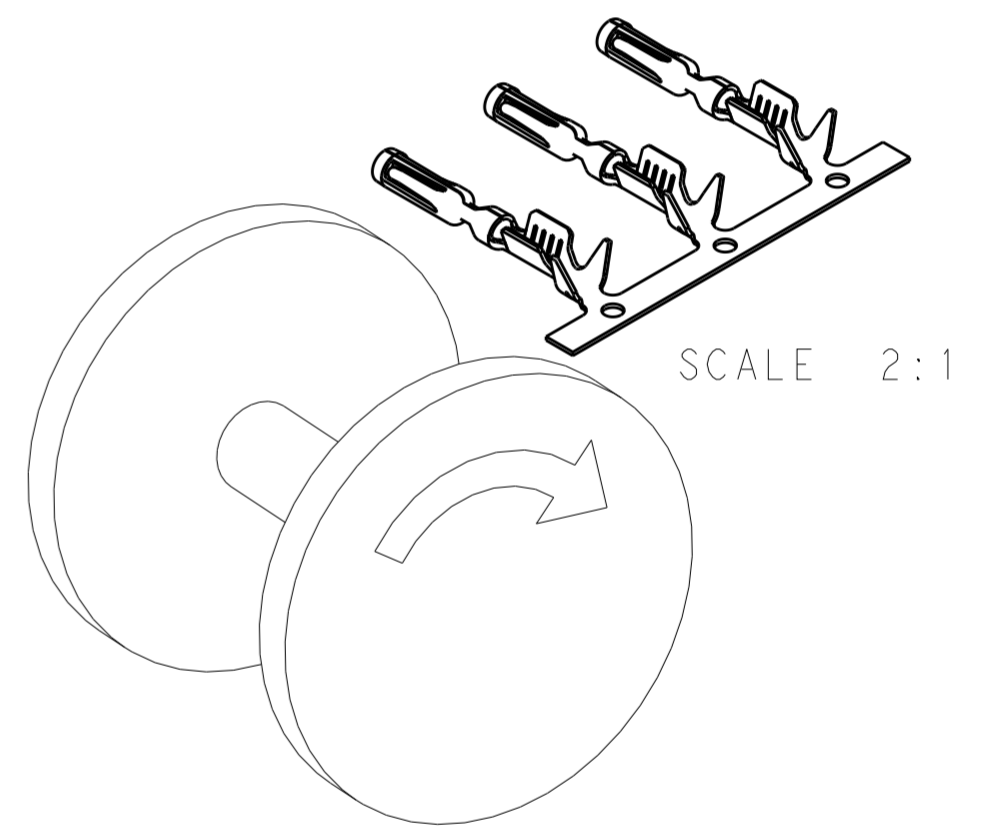
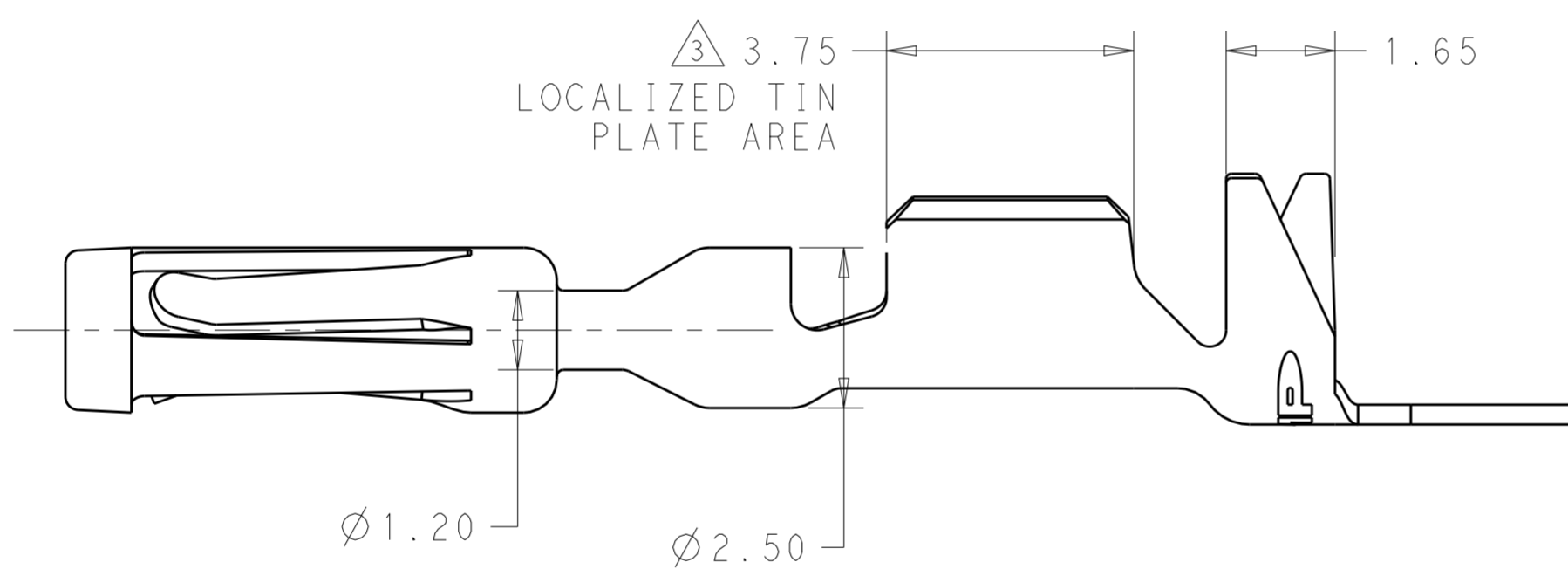


THIS DRAWING IS UNPUBLISHED. RELEASED FOR PUBLICATION 2012
 © COPYRIGHT 2012 BY TE CONNECTIVITY ALL RIGHTS RESERVED.

LOC	DIST	REVISIONS					
CM	00	P	LTR	DESCRIPTION	DATE	DWN	APVD
		D5		REVISED PER ECO-12-011527	19JUN2012	RGV	DCS
		D6		REVISED PER ECO-13-006897	22APR2013	DLG	DCS
		D7		REVISED PER ECO-13-013385	24OCT2013	DLG	DCS



1. WIRE RANGE: 20-16 AWG, 1.0mm², 1.5mm².
2. INSULATION RANGE: 1.70-2.70.
3. .00075 MIN GOLD IN THE LOCALIZED GOLD PLATE AREA, .0025 MIN MATTE TIN IN THE LOCALIZED TIN PLATE AREA OVER .00125 MIN NICKEL OVER ENTIRE CONTACT.
4. USED WITH AMPSEAL PLUG ASSEMBLY: 776286, 776273, 770680, 776164.



770854-3	GOLD 3	0.38 COPPER ALLOY	770520-3
770854-1	PRE-TIN	0.38 COPPER ALLOY	770520-1
LOOSE PIECE	FINISH	MATERIAL	PART NUMBER

THIS DRAWING IS A CONTROLLED DOCUMENT.

DWN R. VESTAL 19 JUN 2012	TE Connectivity	
CHK D. STRAUSSER 19 JUN 2012		
APVD D. STRAUSSER 19 JUN 2012		
DIMENSIONS: mm	TOLERANCES UNLESS OTHERWISE SPECIFIED:	NAME CONTACT, AMPSEAL
0 PLC ±	1 PLC ±	PRODUCT SPEC 108-1329
2 PLC ±0.15	3 PLC ±	APPLICATION SPEC 114-16016
4 PLC ±	ANGLES ±	WEIGHT -
MATERIAL SEE TABLE	FINISH SEE TABLE	SIZE A200779
		CAGE CODE C-770520
		DRAWING NO. -
		RESTRICTED TO -
		SCALE 10:1
		SHEET 1 OF 1
		REV D7