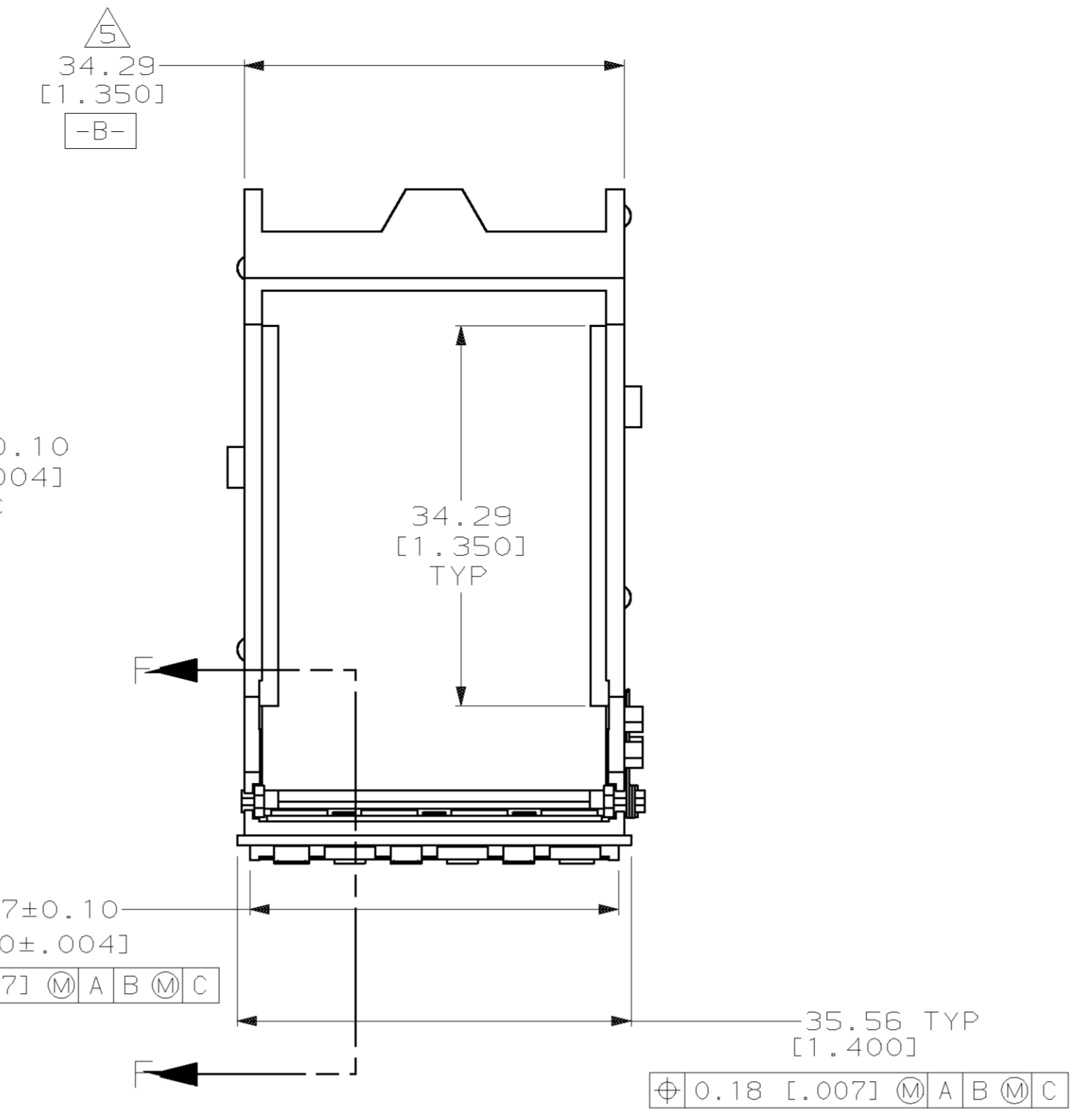
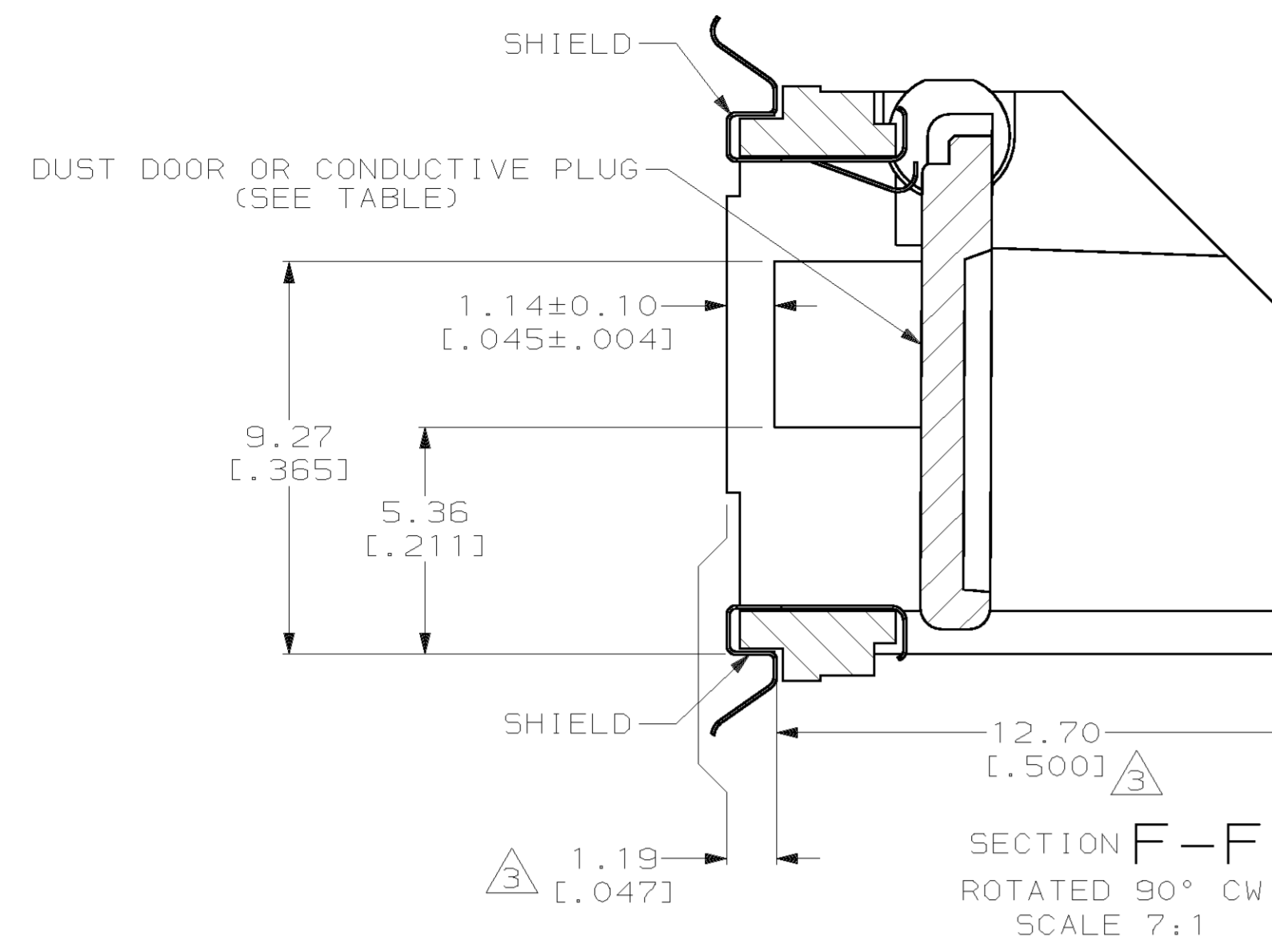
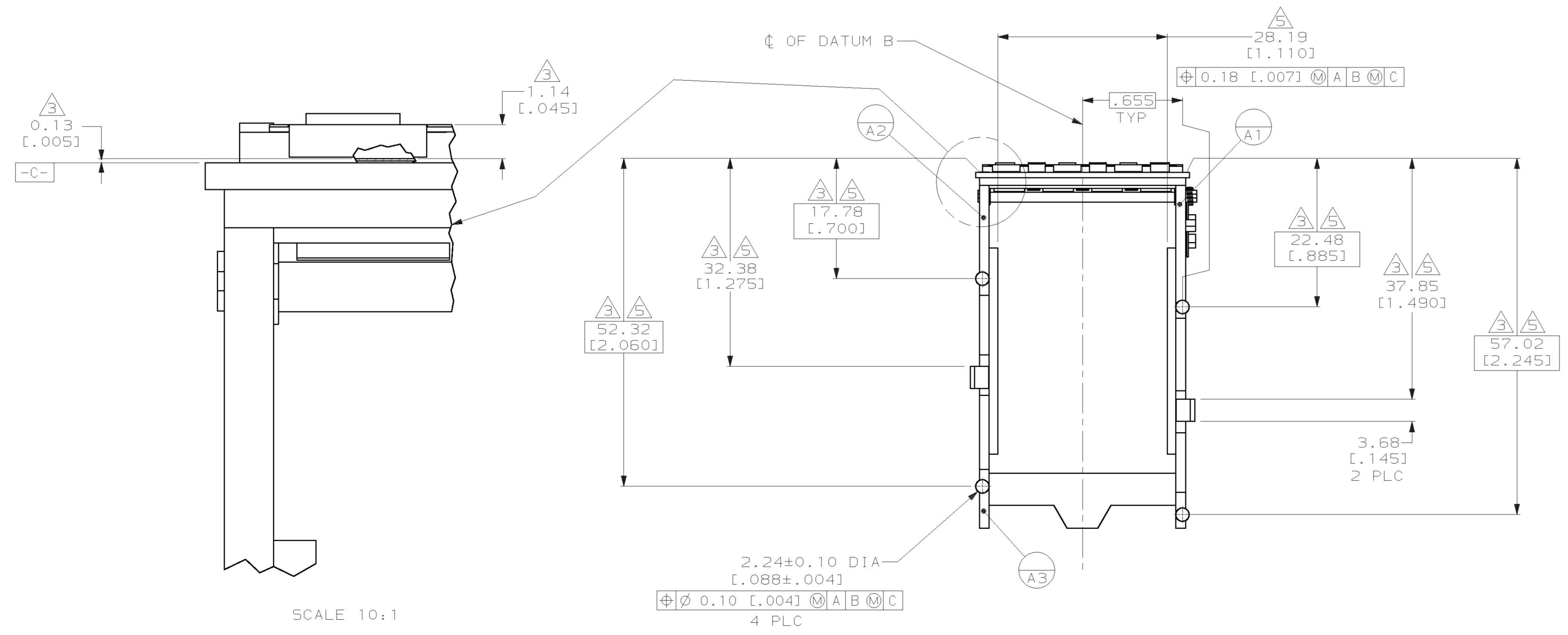
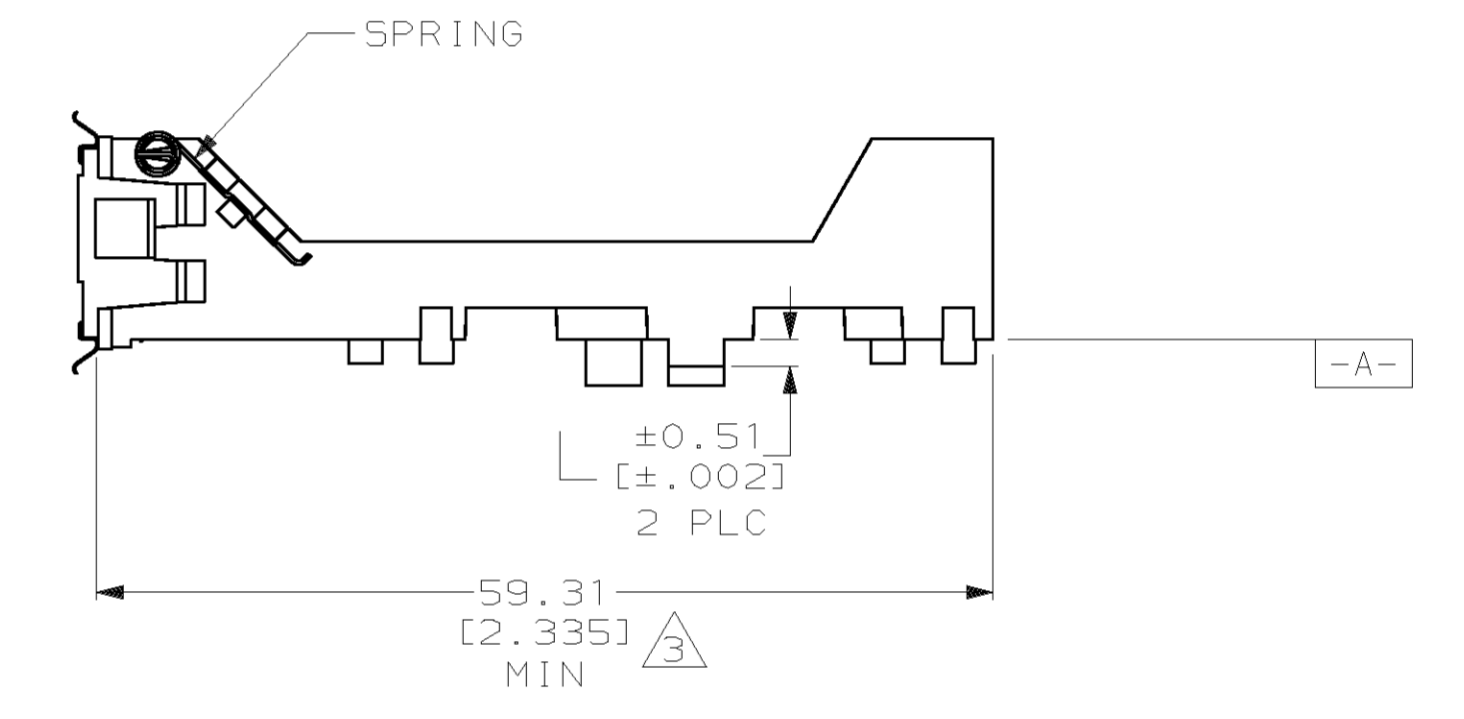
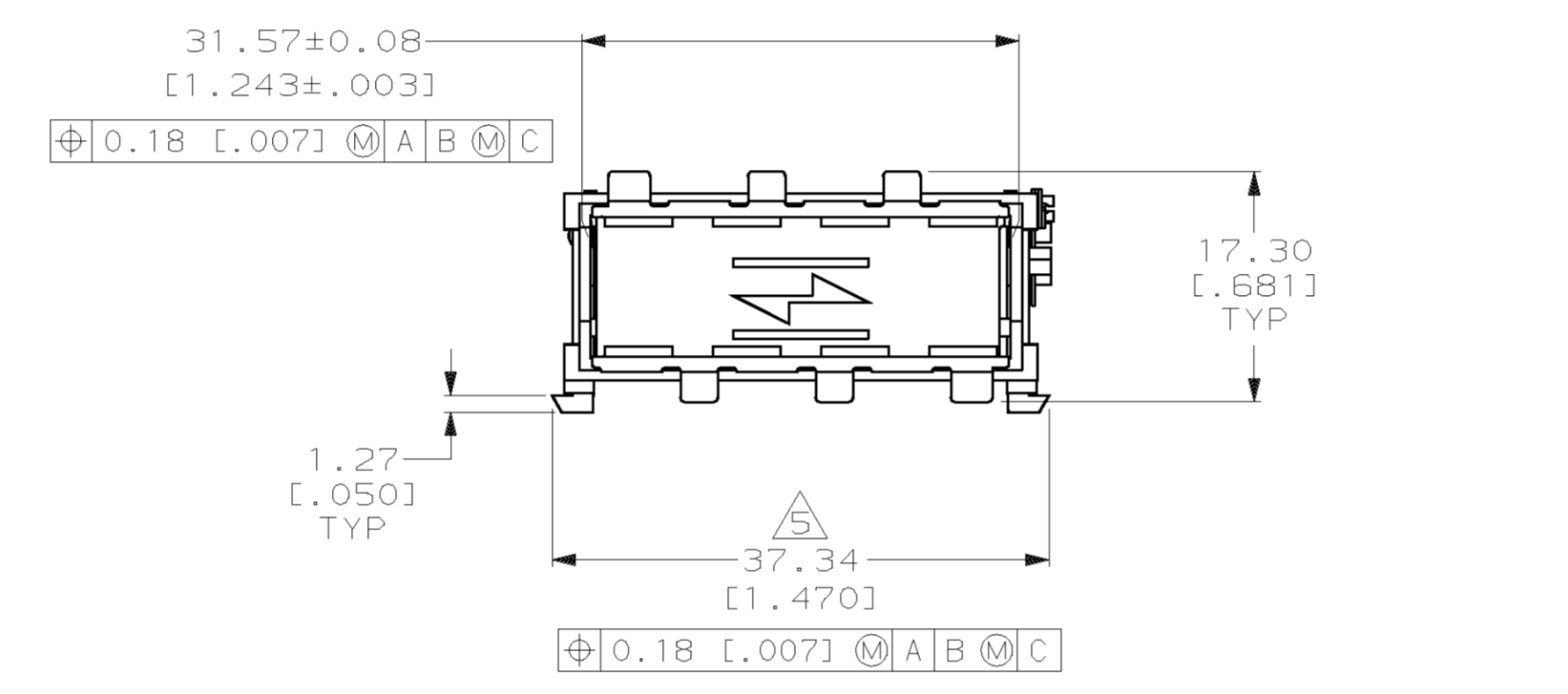
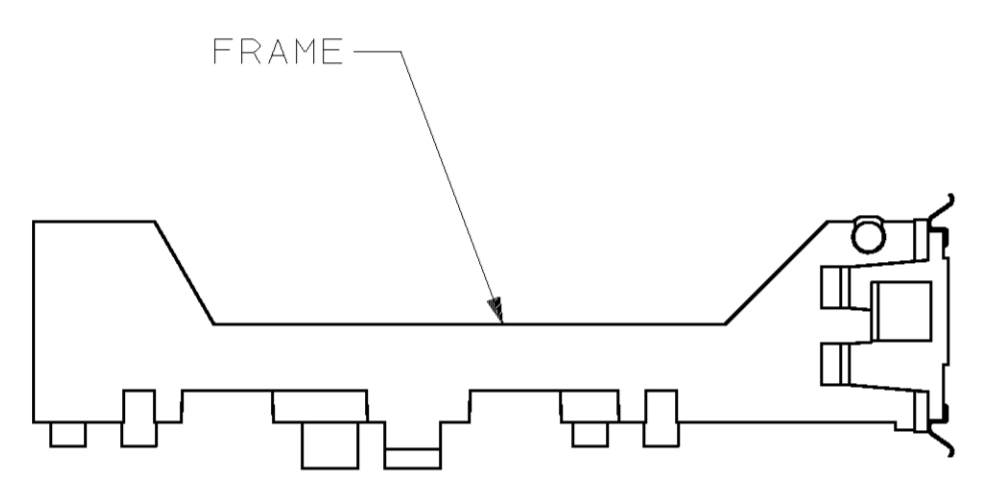


| LOC |    | DIST |     | REVISIONS                   |         |     |      |
|-----|----|------|-----|-----------------------------|---------|-----|------|
| GP  | 00 | TR   | LYR | DESCRIPTION                 | DATE    | OWN | APPR |
| L   |    |      |     | REVISED PER EC 0513-0435-03 | 16APR04 | JG  | JG   |



- 1 DUST DOOR: ZINC ALLOY (-3,-4,-4), HTN POLYMER (-6,-7,-8).
- CONDUCTIVE PLUG: ABS (1-2,1-3,1-4).
- SPRING: STAINLESS STEEL.
- SHIELD: PHOSPHOR BRONZE.
- 2 METAL DUST DOOR: 2.54µm [0.000100] MIN NICKEL OVER 5.08µm [0.000200] MIN COPPER.
- SHIELD: 1.27µm [0.000050] MIN NICKEL.
- 3 DIMENSION APPLIES TO FRONT OF SHIELD.
- 4 LOWER EDGE OF PANEL OPENING IS 0.15 [.006] BELOW TOP OF PCB FOR HORIZONTAL APPLICATION.
- 5 DIMENSION APPLIES WHEN ASSEMBLED TO PRINTED CIRCUIT BOARD.

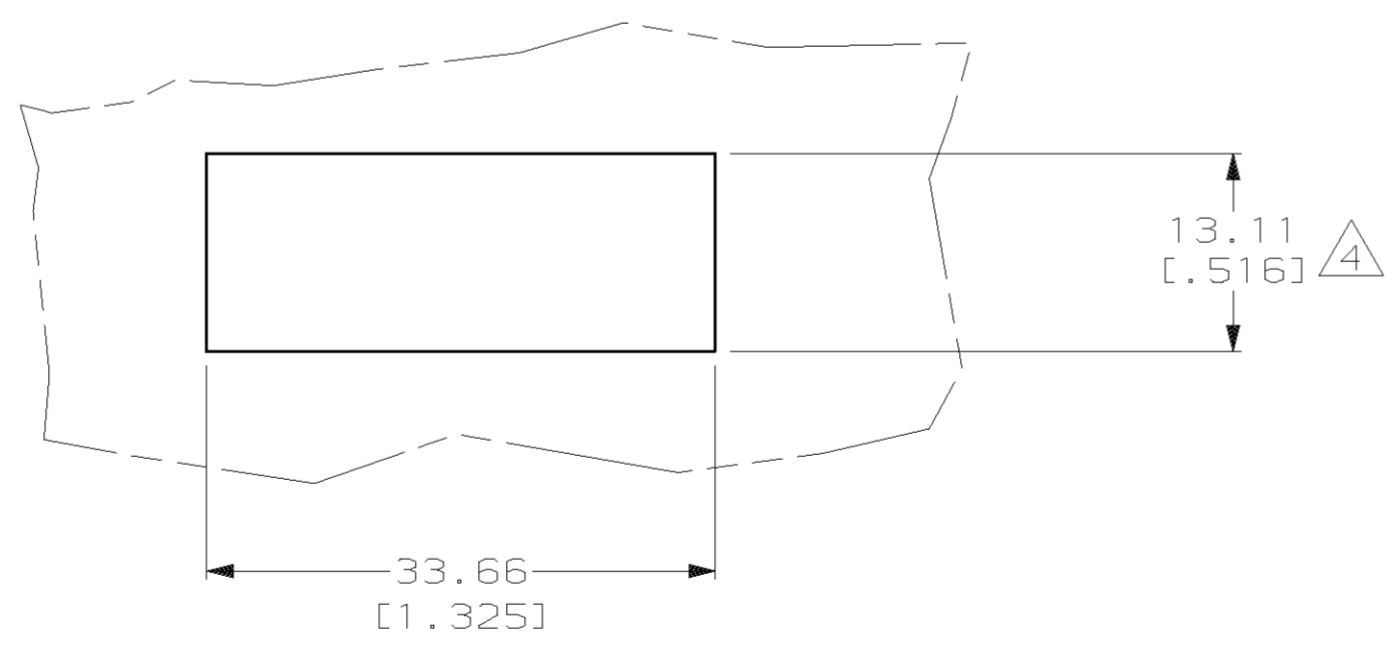
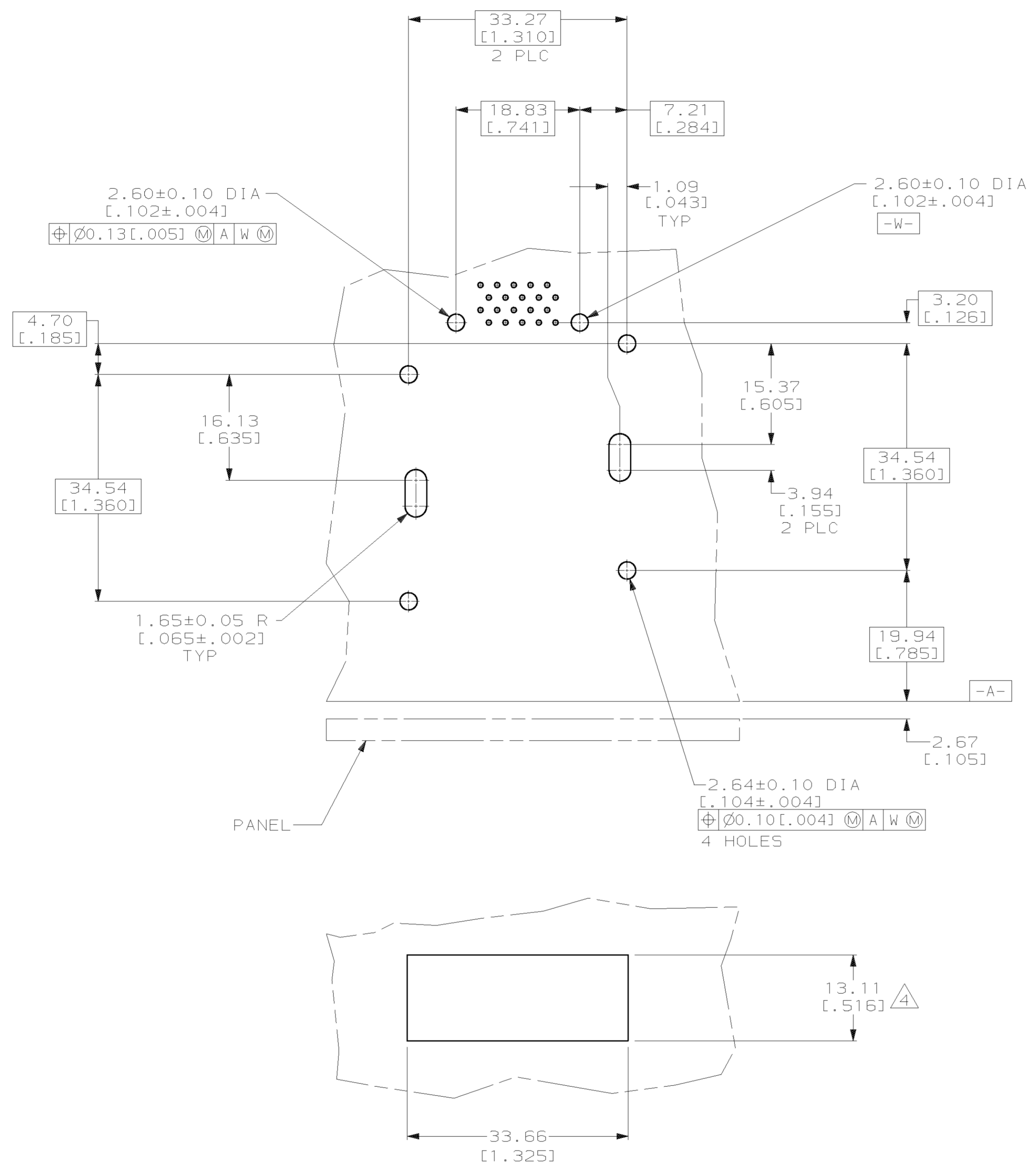


|          |                              |             |             |
|----------|------------------------------|-------------|-------------|
| OBSOLETE | CONDUCTIVE PLUG              | 2.26 [.089] | 1-788370-4  |
| OBSOLETE | CONDUCTIVE PLUG              | 2.77 [.109] | 1-788370-3  |
| OBSOLETE | CONDUCTIVE PLUG              | 1.80 [.071] | 1-788370-2  |
| OBSOLETE | NO DOOR OR PLUG              | 2.26 [.089] | 1-788370-1  |
| OBSOLETE | NO DOOR OR PLUG              | 2.77 [.109] | 1-788370-0  |
| OBSOLETE | NO DOOR OR PLUG              | 1.80 [.071] | 788370-9    |
| OBSOLETE | PLASTIC DOOR                 | 2.26 [.089] | 788370-8    |
| OBSOLETE | PLASTIC DOOR                 | 2.77 [.109] | 788370-7    |
| OBSOLETE | PLASTIC DOOR                 | 1.80 [.071] | 788370-6    |
|          | METAL DOOR                   | 2.26 [.089] | 788370-5    |
|          | METAL DOOR                   | 2.77 [.109] | 788370-4    |
|          | METAL DOOR                   | 1.80 [.071] | 788370-3    |
|          | DUST DOOR OR CONDUCTIVE PLUG | L           | PART NUMBER |

THIS DRAWING IS A CONTROLLED DOCUMENT.

|                    |           |  |
|--------------------|-----------|--|
| DW: C. OBERMAN     | 11 JUN 98 | AMP Incorporated<br>Harrisburg, PA 17105-3608                        |
| CHK: D. STONE      | 25 JUN 98 |  |
| APPV: S. LINDSTROM | 25 JUN 98 | AMP<br>GUIDE ASSEMBLY,<br>MEDIA CONVERTER MODULE,<br>CHAMP BLINDMATE |
| PRODUCT SPEC       |           |  |
| APPLICATION SPEC   |           | SIZE: A1   |
| WEIGHT             |           | CAGE CODE: 00779   |
| CUSTOMER DRAWING   |           | DRAWING NO: 788370   |

SCALE: 2:1 SHEET 1 OF 2 REV L



RECOMMENDED HOST CARD FOOTPRINT/PANEL CUTOUT

|  |  |   |   |  |
|--|--|---|---|--|
| THIS DRAWING IS A CONTROLLED DOCUMENT. |  | DWN<br>C. OBERMAN<br>11 JUN 98  | AMP Incorporated<br>Harrisburg, PA 17105-3608 |  |
| DIMENSIONS:<br>mm (INCHES)             |  | CHK<br>D. STONE<br>25 JUN 98  | AMP<br>S. LINDSTROM<br>25 JUN 98              |  |
| TOLERANCES UNLESS OTHERWISE SPECIFIED: |  | NAME<br>GUIDE ASSEMBLY,<br>MEDIA CONVERTER MODULE,<br>CHAMP BLINDMATE |   |  |
| 0 PLC ±-                               |  | PRODUCT SPEC  |   |  |
| 1 PLC ±-                               |  | APPLICATION SPEC  |   |  |
| 2 PLC ±0.13 (.005)                     |  | SIZE<br>A1  |   |  |
| 3 PLC ±-                               |  | SCALE CODE<br>788370  |   |  |
| 4 PLC ±-                               |  | DRAWING NO<br>788370  |   |  |
| ANGLES ±-                              |  | RESTRICTED TO   |   |  |
| FINISH                                 |  | WEIGHT  |   |  |
| -                                      |  | -   |   |  |
| -                                      |  | CUSTOMER DRAWING  |   |  |
| -                                      |  | SCALE 2:1 SHEET 2 OF 2 REV L  |   |  |