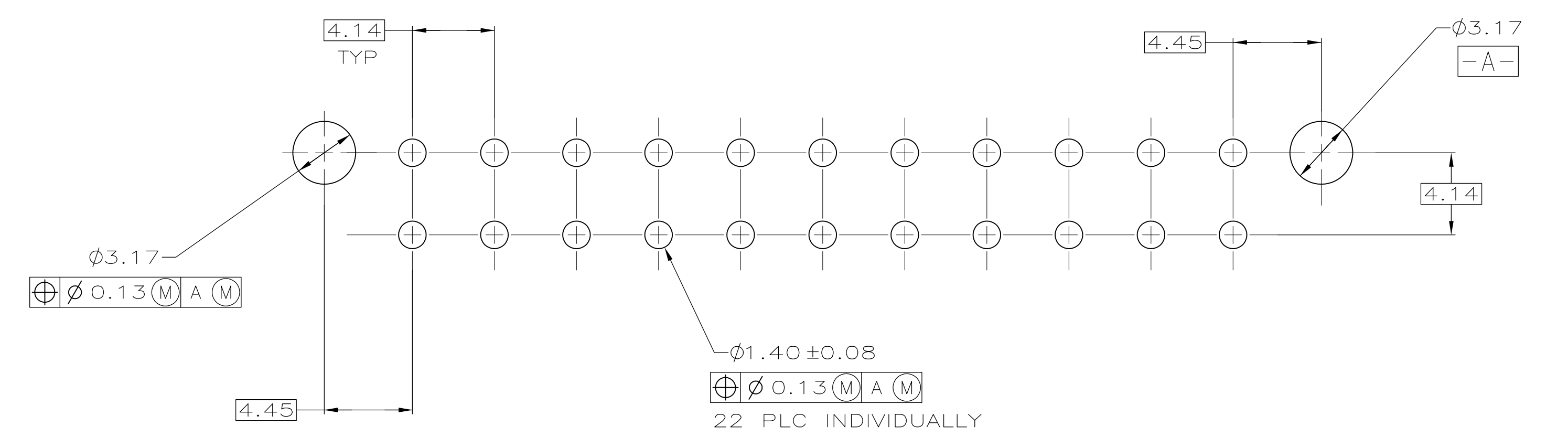
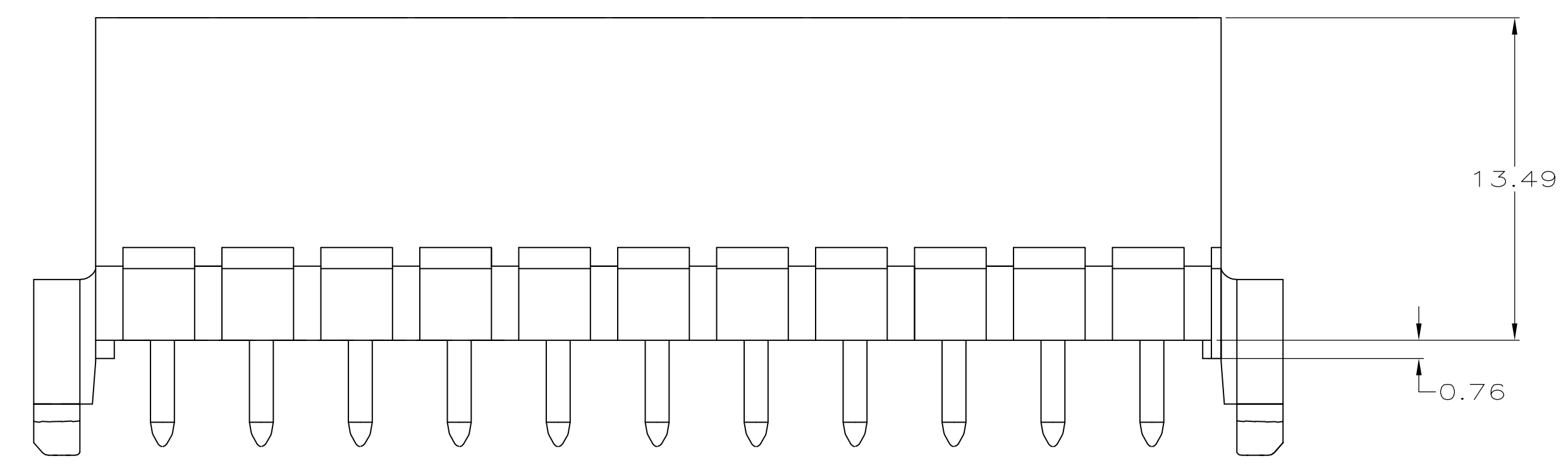
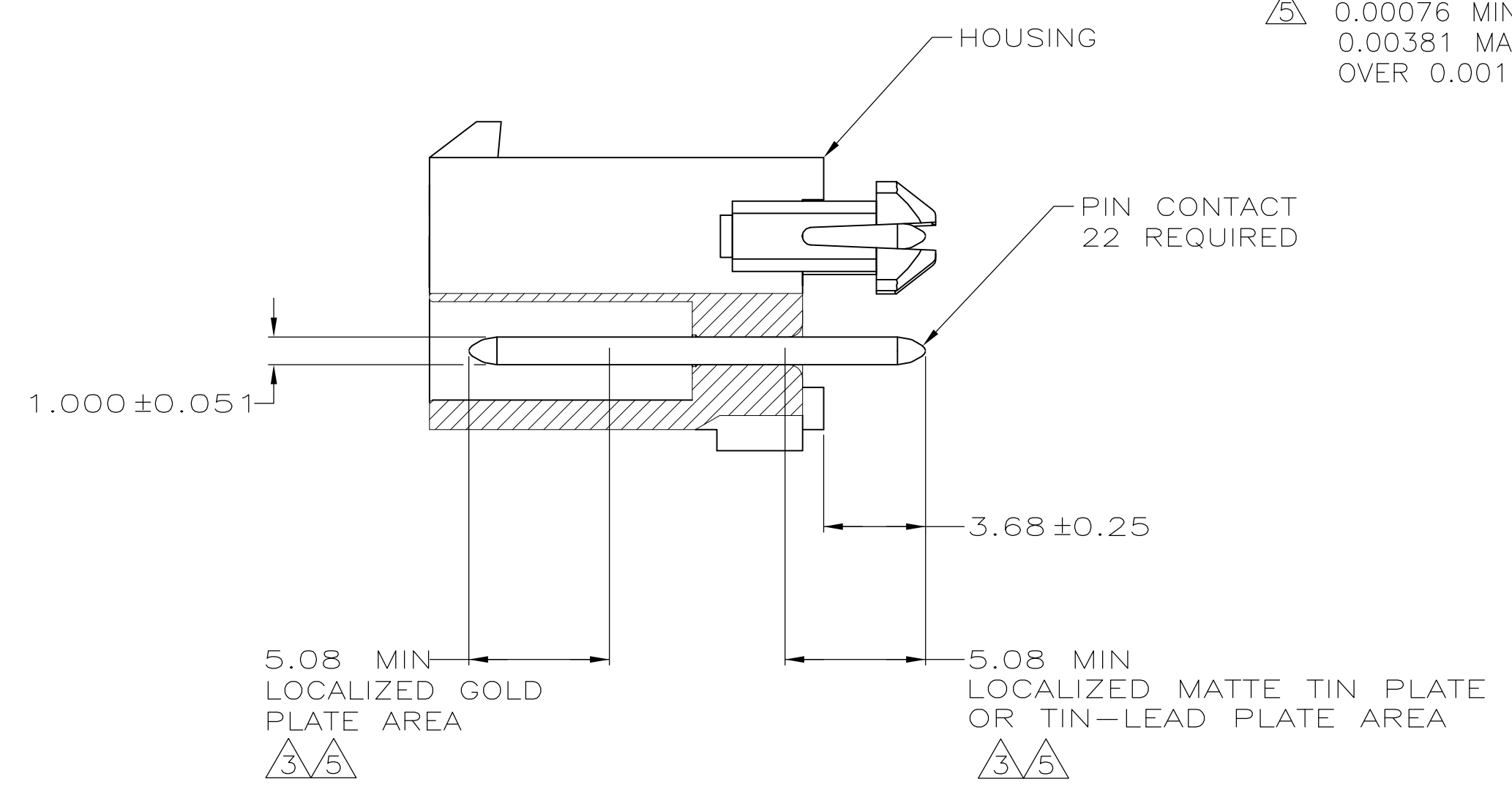
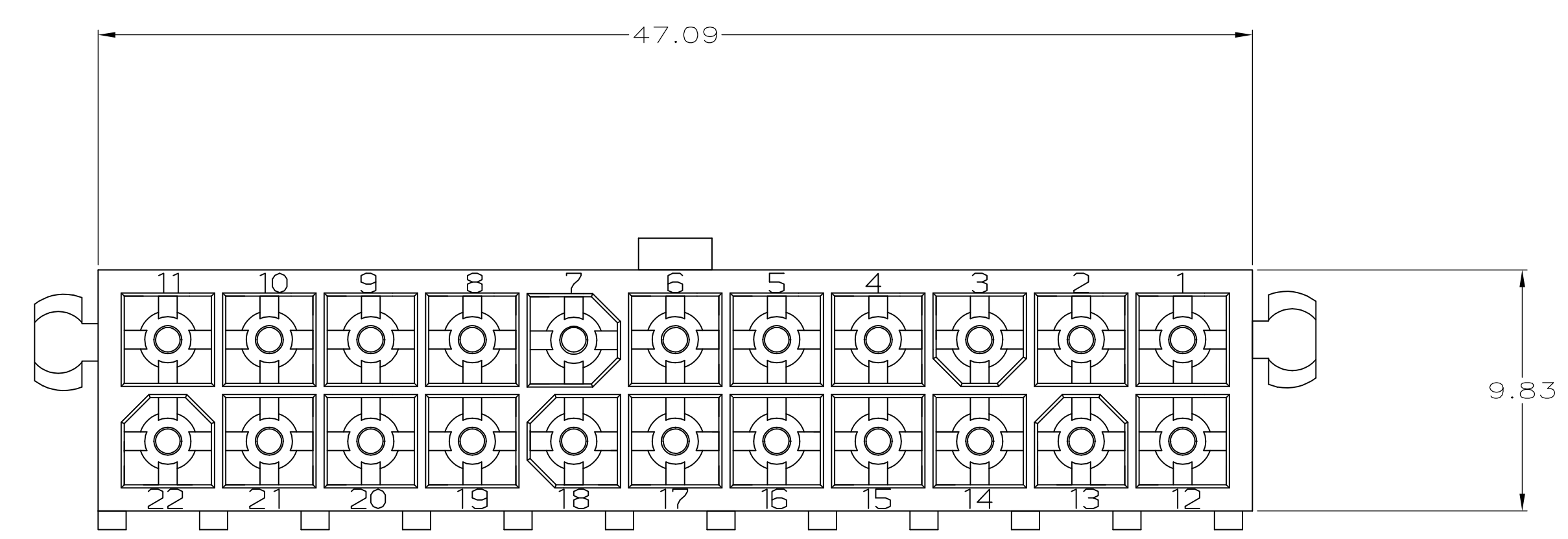
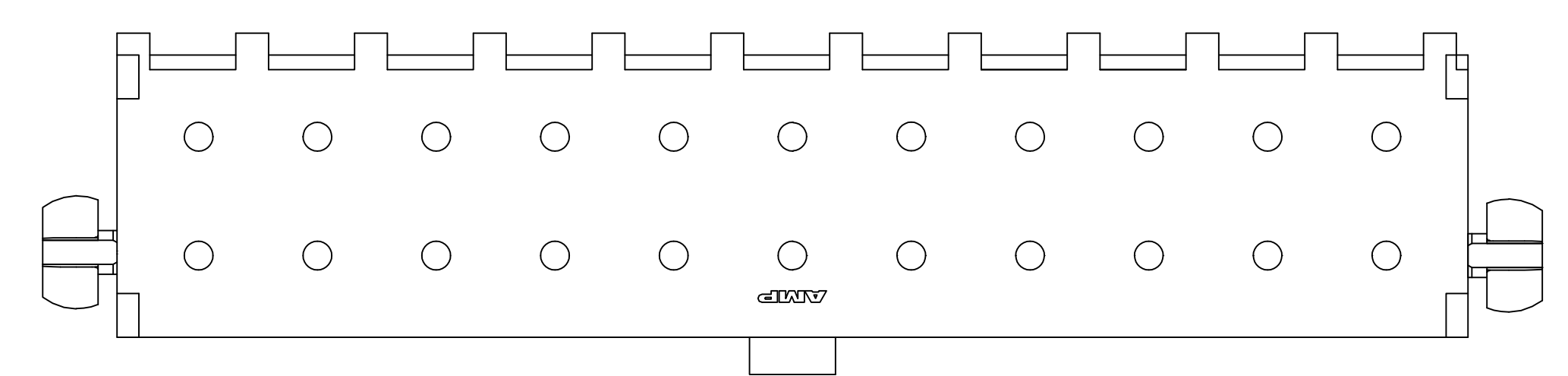


LOC		DIST		REVISIONS			
P	LTR	DESCRIPTION	DATE	DWN	APVD		
E		REVISED PER ECR-15-010337	23JUL2015	RK	SC		

- PINS TO COMPLY WITH AMP SOLDERABILITY SPEC. 108-11-3.
- 0.00381 MIN MATTE TIN LEAD OVER 0.00127 MIN NICKEL.
- 0.00076 MIN GOLD PLATE IN THE LOCALIZED PLATE AREA, 0.00381 MATTE TIN LEAD IN THE LOCALIZED PLATE AREA, BOTH OVER 0.00127 MIN NICKEL.
- 0.00381 MIN MATTE TIN OVER 0.00127 MIN NICKEL.
- 0.00076 MIN GOLD PLATE IN THE LOCALIZED PLATE AREA, 0.00381 MATTE TIN IN THE LOCALIZED PLATE AREA, BOTH OVER 0.00127 MIN NICKEL.



RECOMMENDED MOUNTING HOLE PATTERN FOR 1.57 THICK P.C. BOARD



BRASS, GOLD	△5	NYLON, 94V-0, WHITE	1-794078-1
BRASS, TIN	△4	NYLON, 94V-0, WHITE	1-794078-0
BRASS, GOLD	△3	NYLON, 94V-0, WHITE	794078-2
BRASS, TIN LEAD	△2	NYLON, 94V-0, WHITE	794078-1
PIN CONTACT MATERIAL AND FINISH		HOUSING MATERIAL AND COLOR	PART NUMBER

THIS DRAWING IS A CONTROLLED DOCUMENT.

DIMENSIONS: mm	TOLERANCES UNLESS OTHERWISE SPECIFIED:	DWN: K. WHITAKER 5-16-95	CHK: R. SWING 5-16-95	APVD: R. ORSTAD 6-13-95	NAME: R. ORSTAD
0. PLC ± -	1. PLC ± -	STE TE Connectivity			
2. PLC ± 0.13	3. PLC ± -	HEADER ASSEMBLY, CLOSED BOTTOM, 22 CIRCUIT, DOUBLE ROW VERTICAL, MINI-UNIVERSAL MATE-N-LOK			
4. PLC ± -	ANGLES ± -	SIZE: A1	CODE: 00779	DRAWING NO: 794078	RESTRICTED TO: -
MATERIAL: SEE TABLE	FINISH: SEE TABLE	WEIGHT: -	SCALE: 5:1	SHEET: 1 OF 1	REV: E

CUSTOMER DRAWING