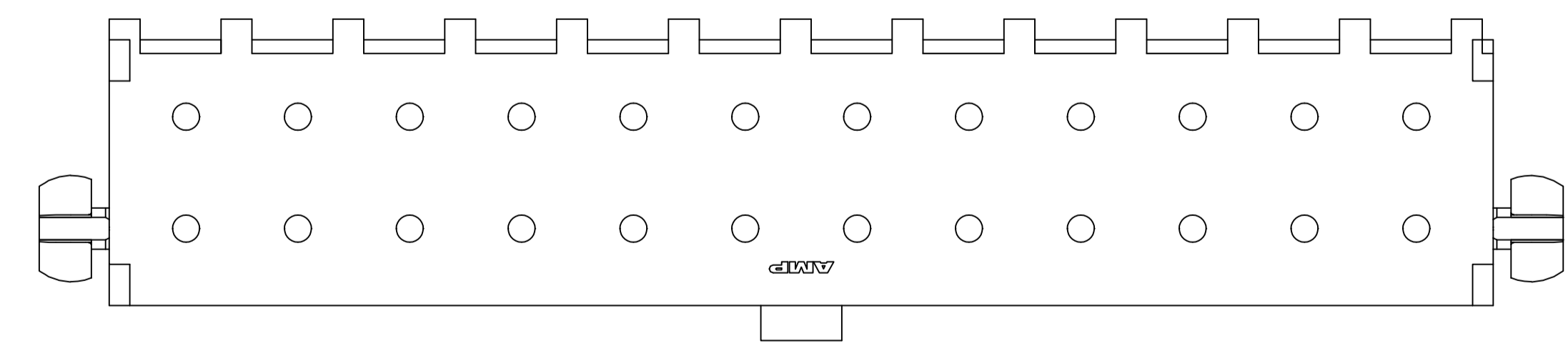
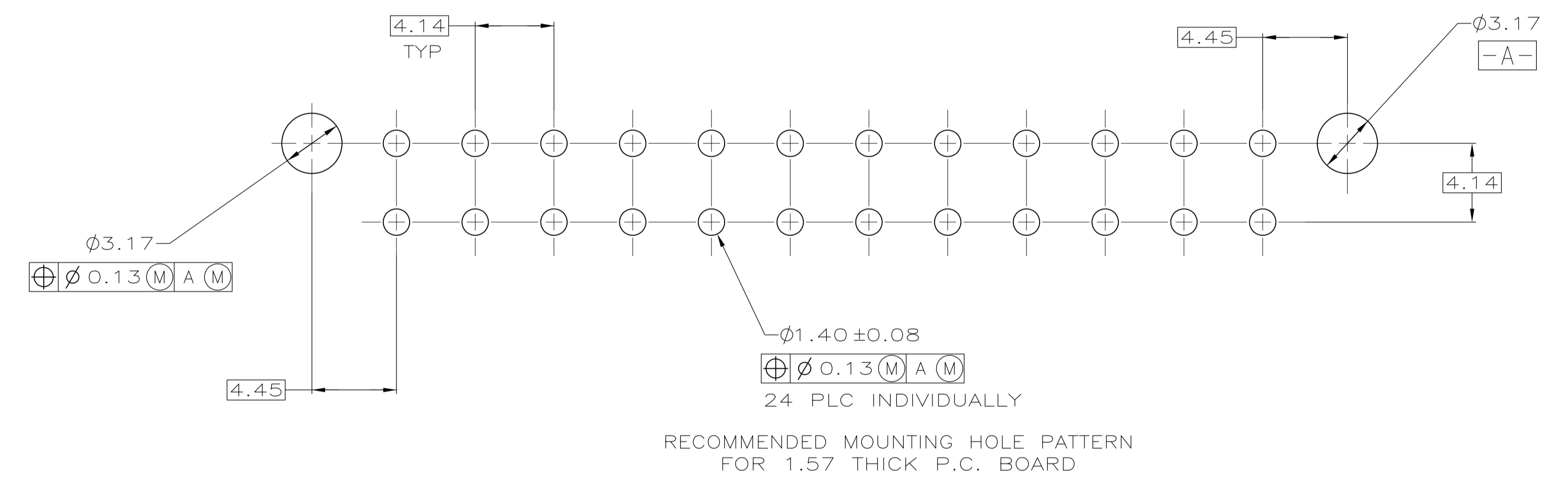
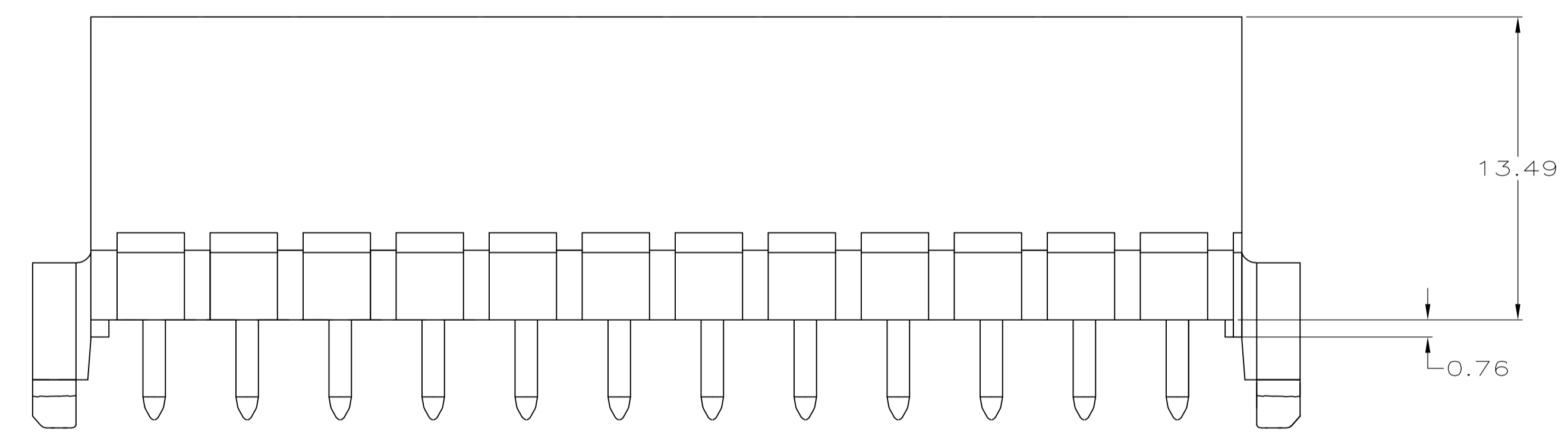
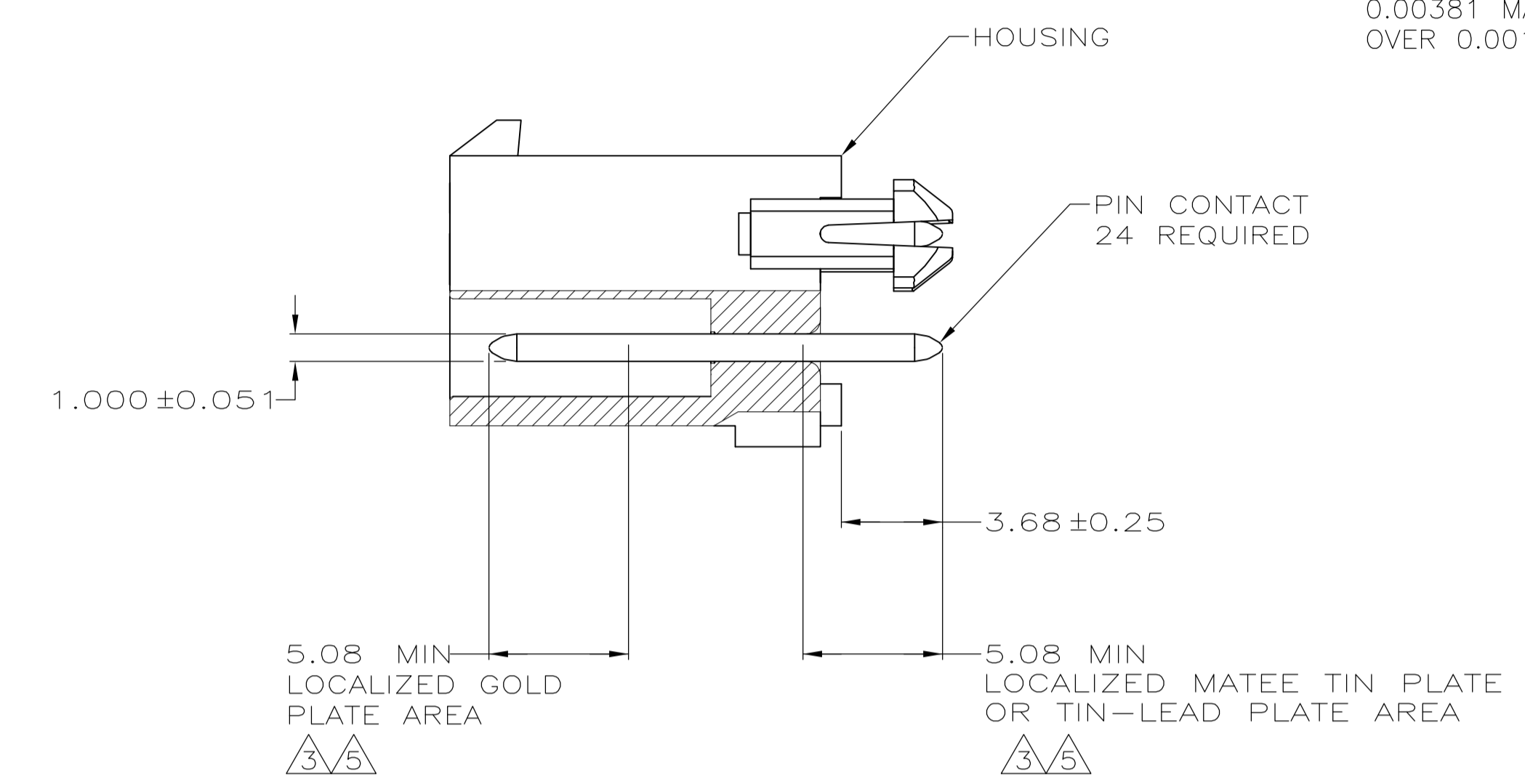
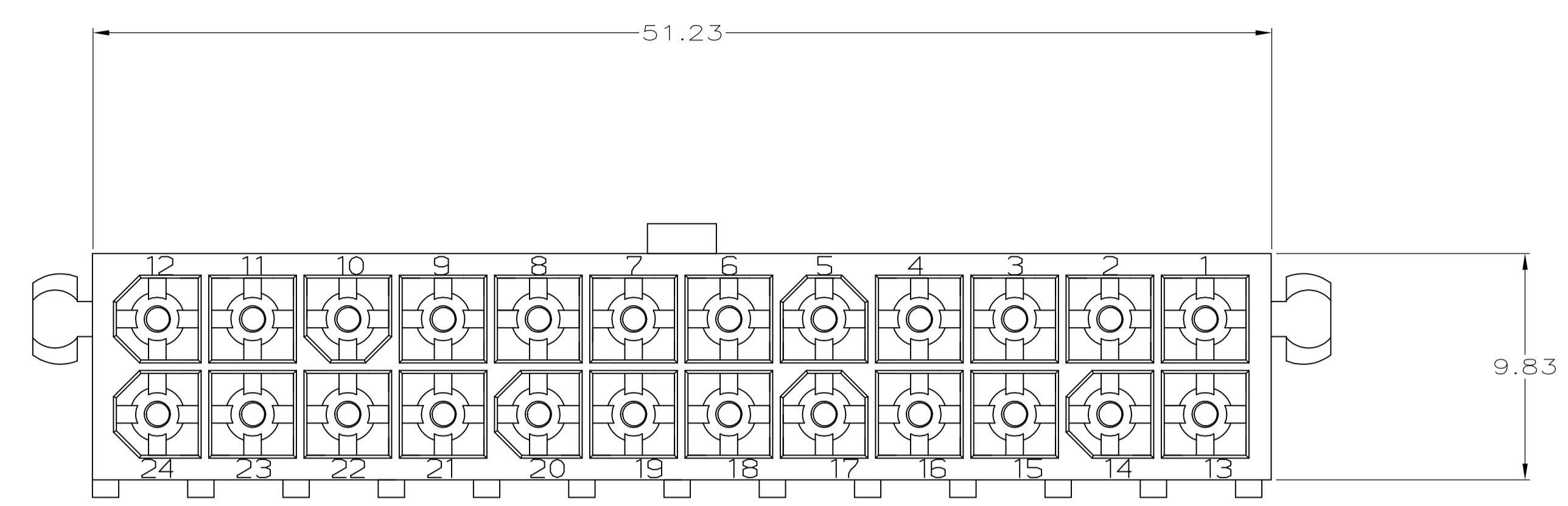


LOC		DIST		REVISIONS			
P	LTR	DESCRIPTION	DATE	DN	APVD		
E		REVISED PER ECR-15-010337	23JUL2015	RK	SC		

- PINS TO COMPLY WITH AMP SOLDERABILITY SPEC. 108-11-3.
- 0.00381 MIN MATTE TIN LEAD OVER 0.00127 MIN NICKEL.
- 0.00076 MIN GOLD PLATE IN THE LOCALIZED PLATE AREA, 0.00381 MATTE TIN LEAD IN THE LOCALIZED PLATE AREA, BOTH OVER 0.00127 MIN NICKEL.
- 0.00381 MIN MATTE TIN OVER 0.00127 MIN NICKEL.
- 0.00076 MIN GOLD PLATE IN THE LOCALIZED PLATE AREA, 0.00381 MATTE TIN IN THE LOCALIZED PLATE AREA, BOTH OVER 0.00127 MIN NICKEL.



BRASS, GOLD	NYLON, 94V-0, WHITE	1-794079-1
BRASS, TIN	NYLON, 94V-0, WHITE	1-794079-0
BRASS, GOLD	NYLON, 94V-0, WHITE	794079-2
BRASS, TIN LEAD	NYLON, 94V-0, WHITE	794079-1
PIN CONTACT MATERIAL AND FINISH	HOUSING MATERIAL AND COLOR	PART NUMBER
THIS DRAWING IS A CONTROLLED DOCUMENT.		
DIMENSIONS: mm		TOLERANCES UNLESS OTHERWISE SPECIFIED:
		0 PLC ± - 1 PLC ± - 2 PLC ± 0.13 3 PLC ± - 4 PLC ± - ANGLES ± -
MATERIAL SEE TABLE	FINISH SEE TABLE	WEIGHT -
THIS DRAWING IS A CONTROLLED DOCUMENT. DWG: K. WHITAKER 6-12-95 CHK: R. SWING 6-12-95 APVD: R. ORSTAD 6-13-95		NAME: STE TE Connectivity SIZE: A1 CAGE CODE: 00779 DRAWING NO: 794079 RESTRICTED TO: -
CUSTOMER DRAWING		SCALE: 5:1 SHEET: 1 OF 1 REV: E