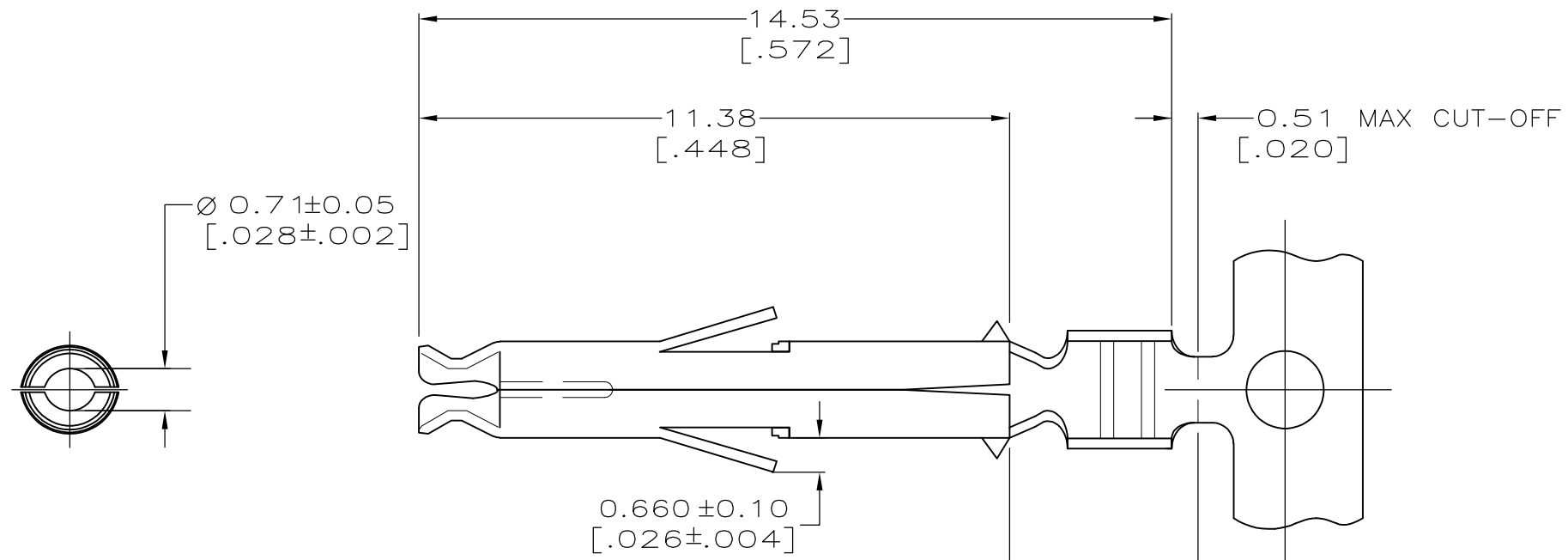


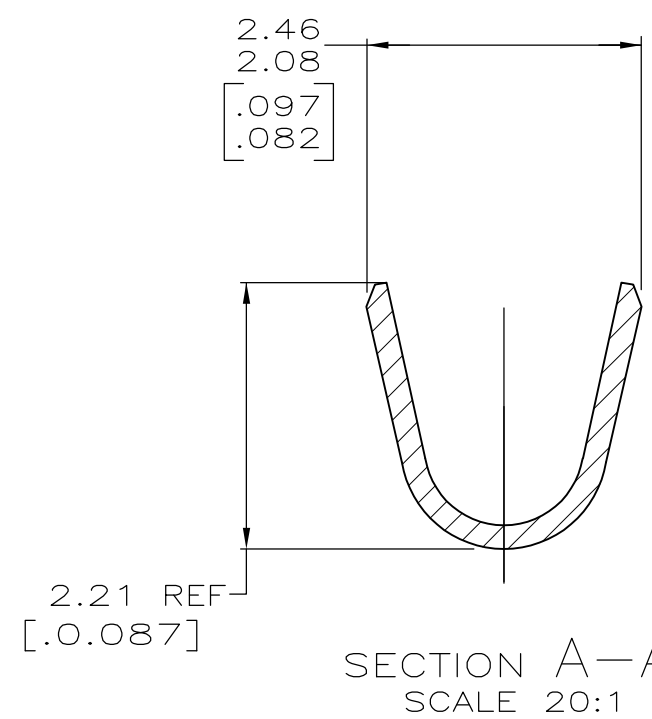
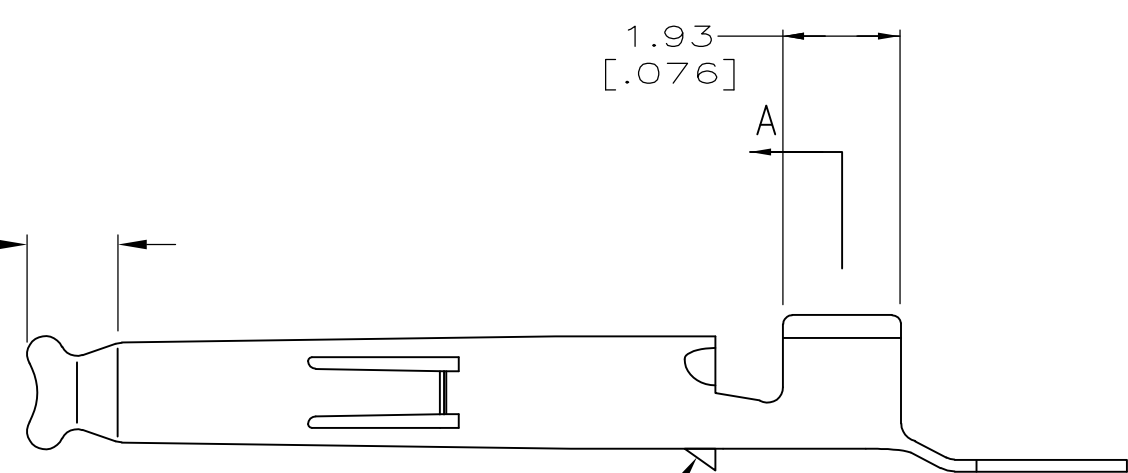
THIS DRAWING IS UNPUBLISHED. RELEASED FOR PUBLICATION
 © COPYRIGHT - By - ALL RIGHTS RESERVED.

LOC	DIST	REVISIONS			
P	LTR	DESCRIPTION	DATE	DWN	APVD
CM	00	E	ECO-13-000901	08MAR2013	MGT R.P



- 1 WIRE RANGE: 0.3 – 0.9MM² (22–18 AWG).
- 2 INSULATION RANGE: 1.50–2.40 [.060–.094] DIA.
- 3 DIMENSIONS IN BRACKETS ARE IN INCHES.
- 4 BOTTOM CONTACT STOP IS OPTIONAL CONSTRUCTION.
- 5 0.000762 [.000030] MIN GOLD IN LOCALIZED GOLD PLATE AREA AND 0.00254 [.000100] MIN BRIGHT TIN LOCALIZED TIN PLATE AREA OVER 0.00127 [.000050] MIN NICKEL.

5
 1.50
 [.059]
 LOCALIZED
 GOLD AREA



FINISH	MATERIAL	PART NO
5	0.20 [.008] BRASS	794831-3
NONE	0.20 [.008] BRASS	794831-2
PRE-TIN	0.20 [.008] BRASS	794831-1

METRIC

THIS DRAWING IS A CONTROLLED DOCUMENT.

DWN K. WHITAKER 20FEB2004	TE Connectivity SOCKET, MINI UNIVERSAL MATE-N-LOK(TM)
CHK C. JONES 20FEB04	
APVD C. JONES 20FEB04	
PRODUCT SPEC	
DIMENSIONS: mm [INCHES]	TOLERANCES UNLESS OTHERWISE SPECIFIED:
0 PLC ± -	1 PLC ± -
2 PLC ± 0.13 [.005]	3 PLC ± -
4 PLC ± -	4 PLC ± -
ANGLES ± 0°30'	FINISH -
MATERIAL -	FINISH -

NAME	SIZE	CAGE CODE	DRAWING NO	RESTRICTED TO
—	A3	00779	C-794831	—

CUSTOMER DRAWING SCALE 8:1 SHEET 1 OF 1 REV E