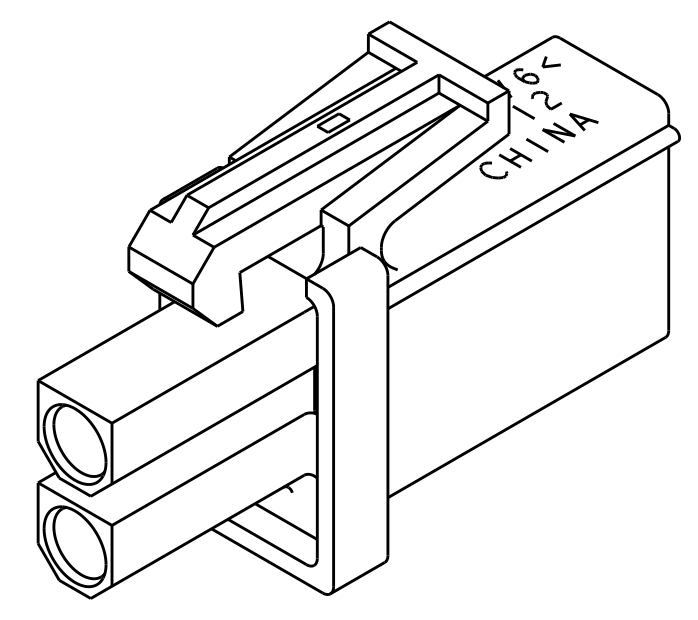
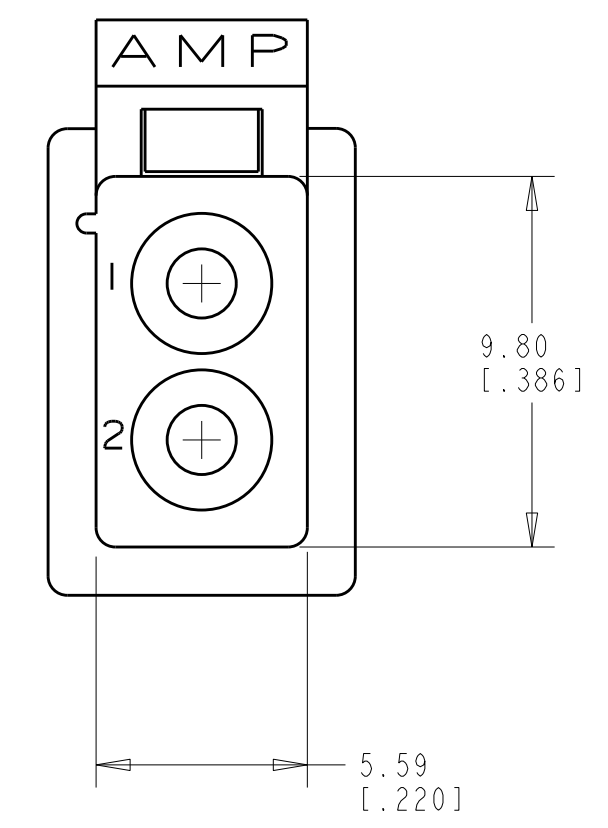
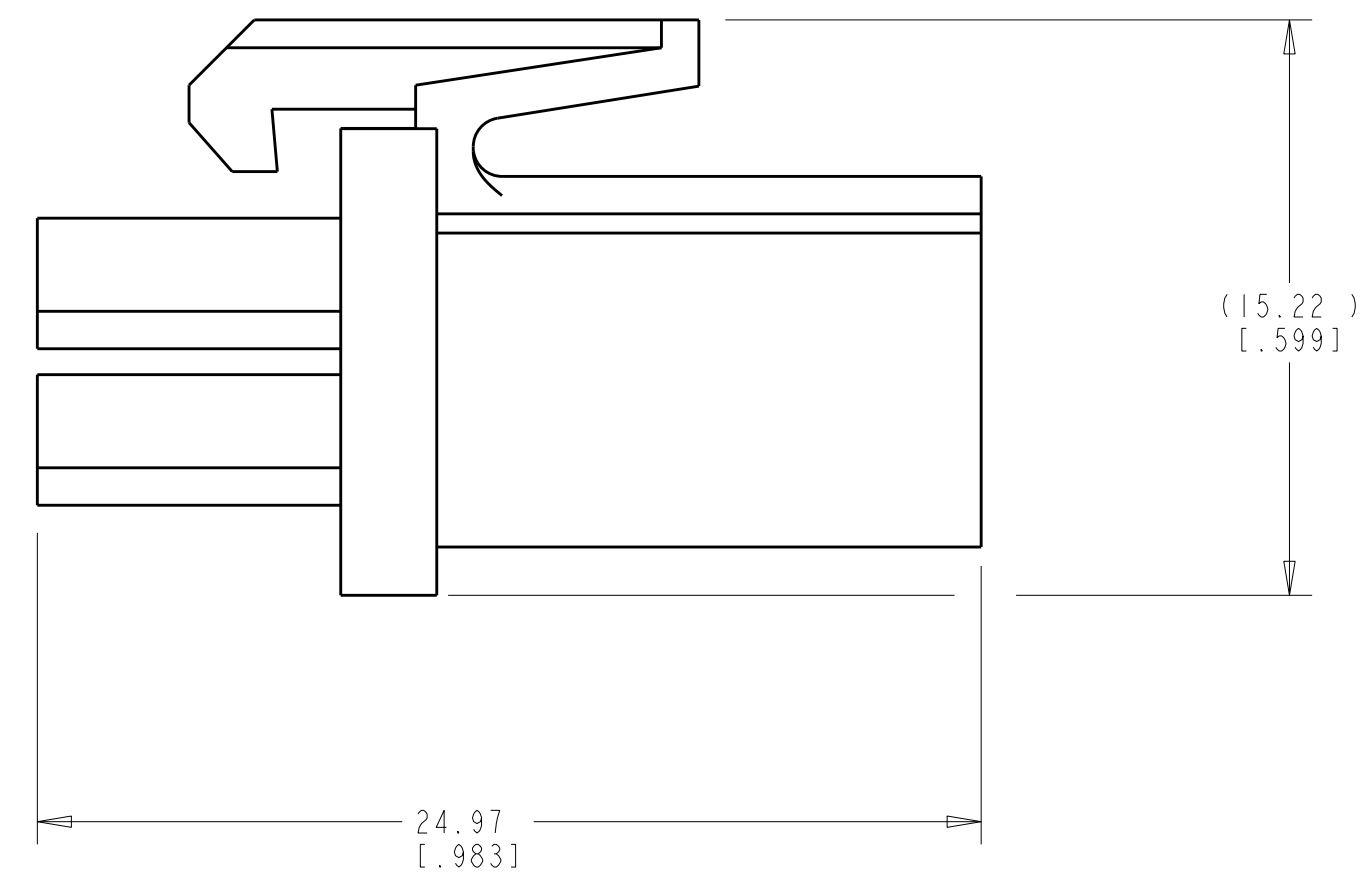
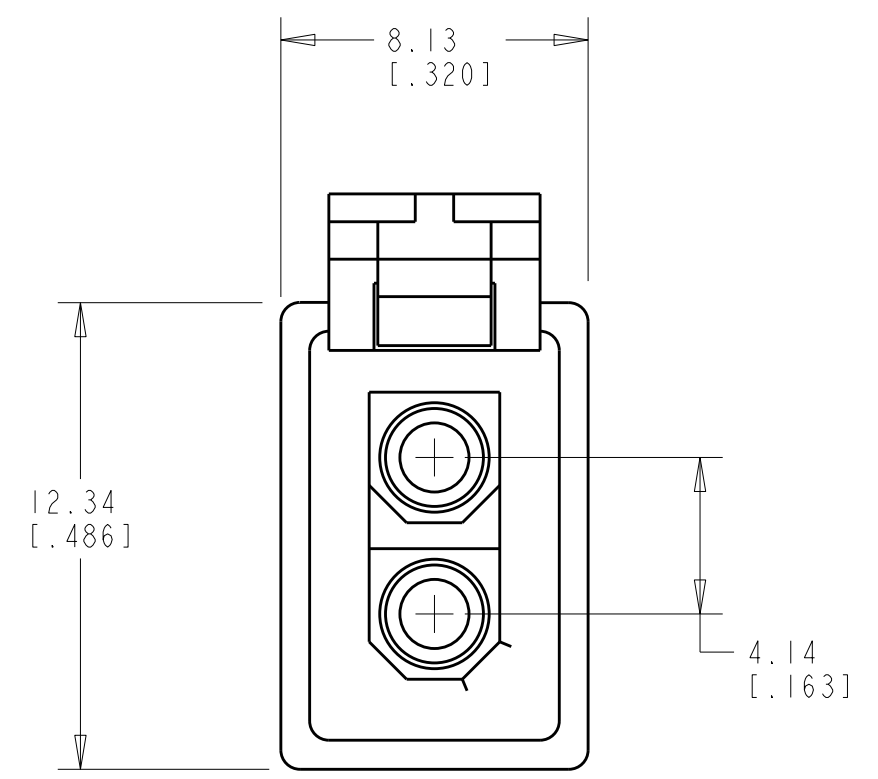


THIS DRAWING IS UNPUBLISHED. RELEASED FOR PUBLICATION 20  
 © COPYRIGHT 20 BY - ALL RIGHTS RESERVED.

LOC	DIST	REVISIONS					
CM	00	P	LTR	DESCRIPTION	DATE	DWN	APVD
			C	REVISED PER ECR-12-017444	27NOV2017	BW	SG

1. DIMENSIONS IN BRACKETS ARE IN INCHES.  
 ⚠ GWT 750° (WITH OUT FLAME) ACC. IEC 60335-1



3 DIMENSIONAL MODEL  
 SCALE 4:1

⚠	NATURAL	PA 6 UL94-V2	794894-3
⚠	RED	PA 6 UL94-V2	794894-2
	NATURAL	PA66/6 UL94 V-0	794894-1
REMARKS	COLOUR	MATERIAL	PART NUMBER

THIS DRAWING IS A CONTROLLED DOCUMENT.		DWN	26-JAN-2001	K. WHITAKER	
DIMENSIONS: mm [ INCHES ]		CHK	26-JAN-2001	C. JONES	
TOLERANCES UNLESS OTHERWISE SPECIFIED:		APVD	26-JAN-2001	C. JONES	
0 PLC	±-	PRODUCT SPEC			
1 PLC	±-	APPLICATION SPEC			
2 PLC	±0.13 [.005]	WEIGHT	-		
3 PLC	±-	CUSTOMER DRAWING			
4 PLC	±-	SCALE	5:1		
ANGLES	±0° 30'	SHEET	1 OF 1		
FINISH		REV	C		
MATERIAL	SEE TABLE	SIZE	A2	CAGE CODE	00779
		DRAWING NO	G-794894		RESTRICTED TO



NAME  
 PLUG,  
 2 CIRCUIT, SEALED APPLICATION,  
 MINI UNIVERSAL MATE-N-LOK(TM)