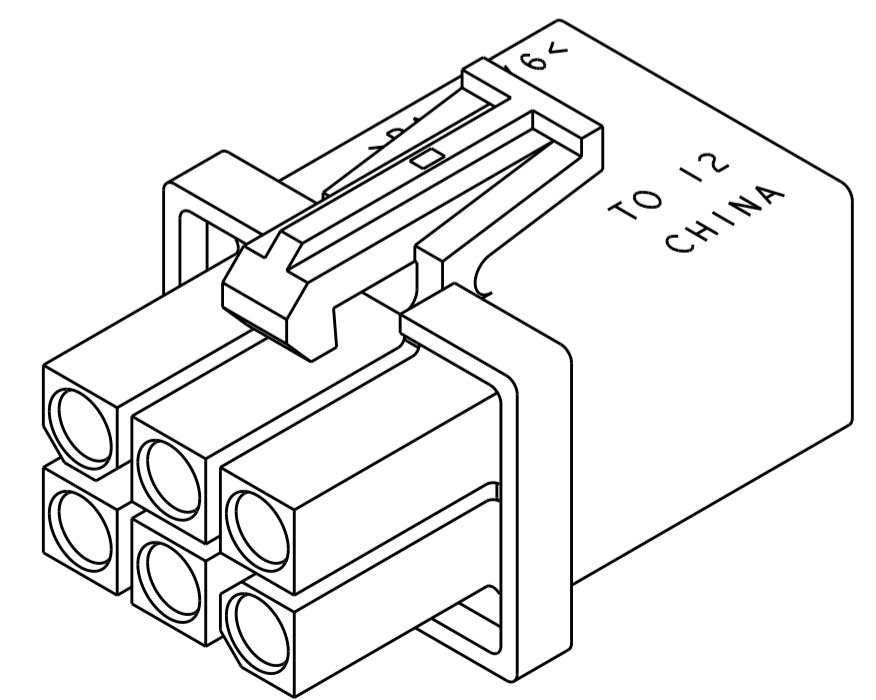
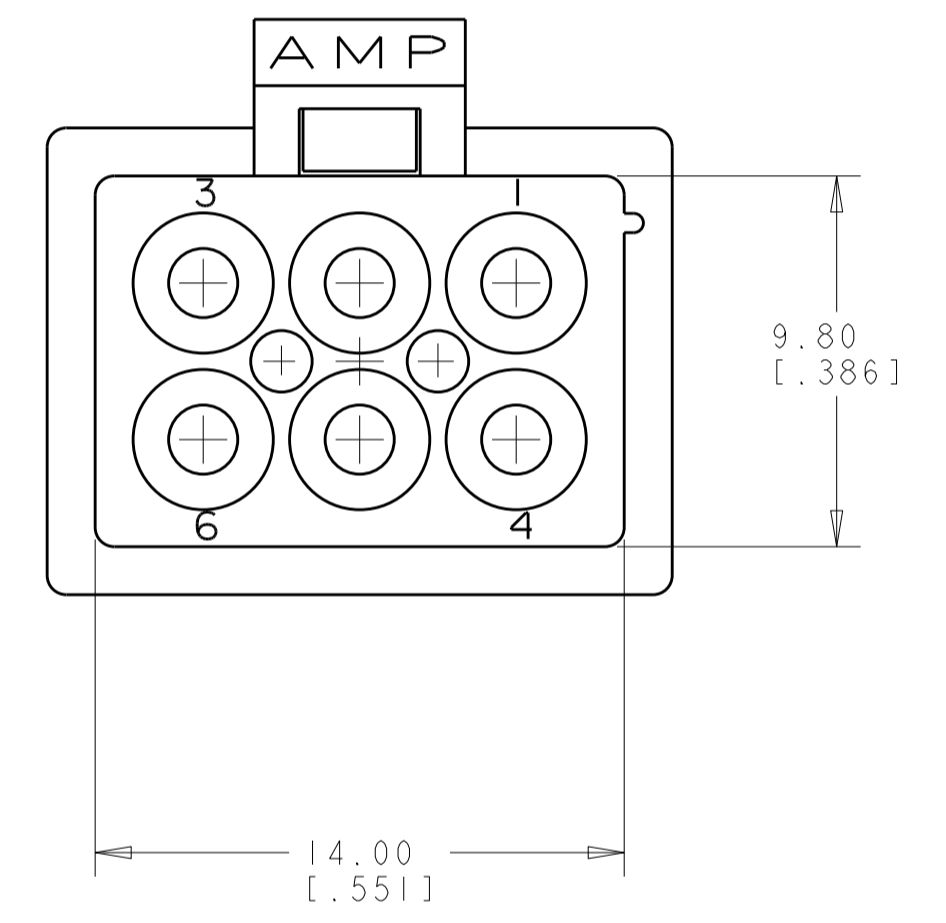
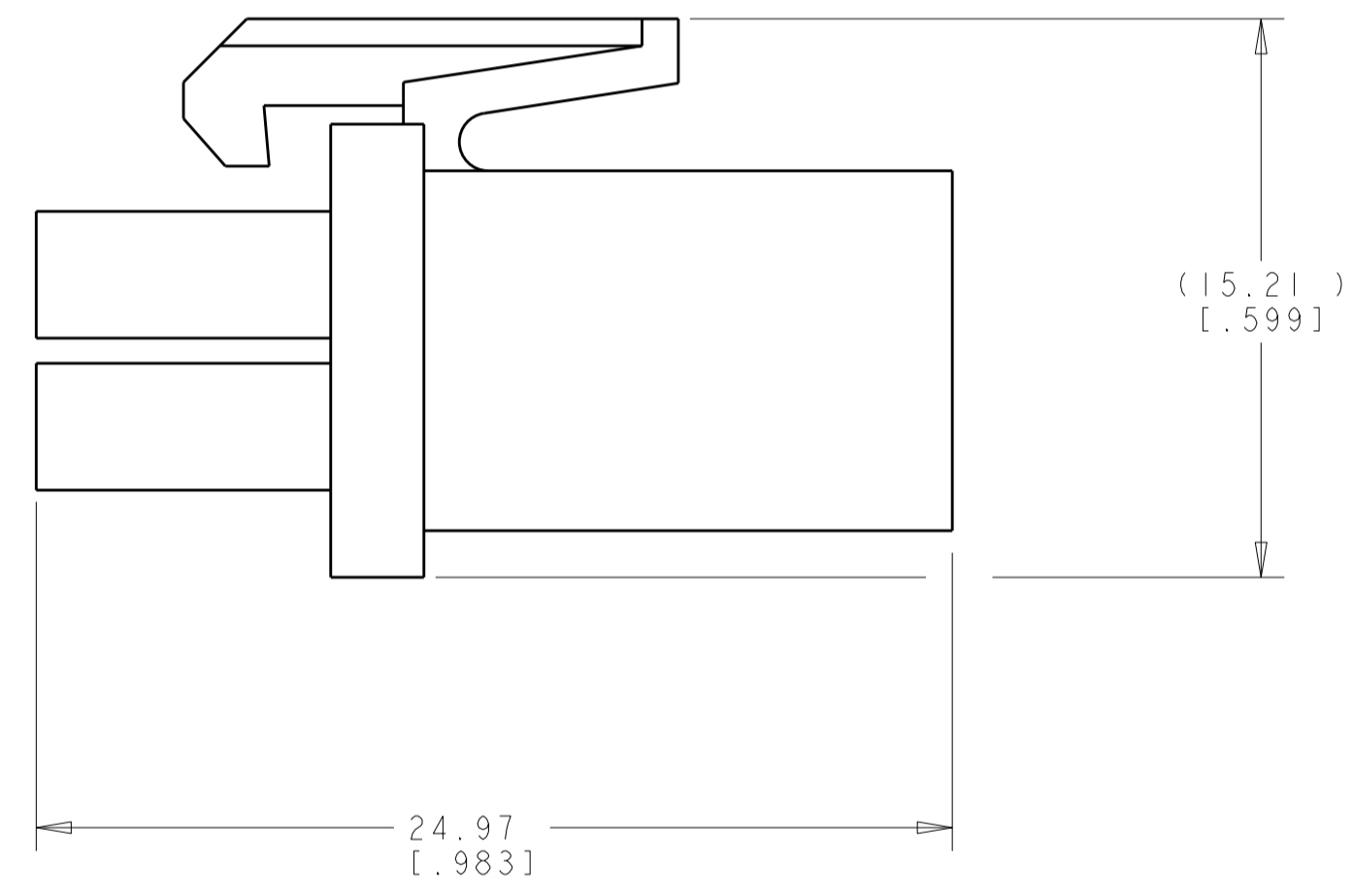
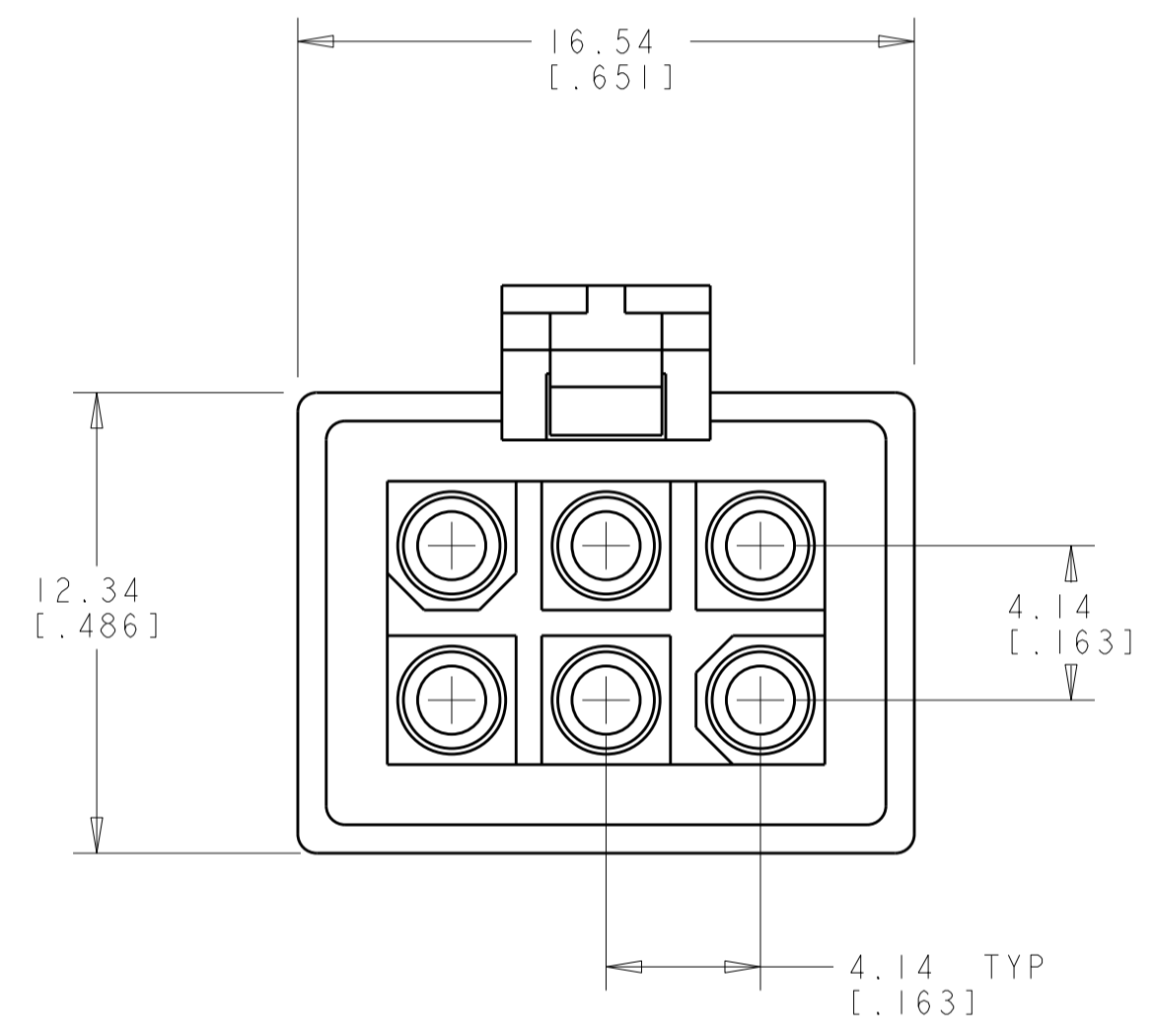


THIS DRAWING IS UNPUBLISHED. RELEASED FOR PUBLICATION 20  
 © COPYRIGHT 20 BY - ALL RIGHTS RESERVED.

LOC	DIST	REVISIONS					
CM	00	P	LTR	DESCRIPTION	DATE	DWN	APVD
			C	REVISED PER ECR-12-017444	27NOV2017	BW	SG

1. DIMENSIONS IN BRACKETS ARE IN INCHES.



3 DIMENSIONAL MODEL  
SCALE 4:1

794895-1  
PART NUMBER

THIS DRAWING IS A CONTROLLED DOCUMENT.		DWN K. WHITAKER 11-FEB-2001	TE Connectivity	
DIMENSIONS: mm [ INCHES ]		CHK C. JONES 11-FEB-2001		
TOLERANCES UNLESS OTHERWISE SPECIFIED:		APVD C. JONES 11-FEB-2001	NAME PLUG, 6 CIRCUIT, MINI UNIVERSAL MATE-N-LOK(TM)	
0 PLC ±-		PRODUCT SPEC	SIZE CAGE CODE DRAWING NO RESTRICTED TO	
1 PLC ±-		APPLICATION SPEC	A200779C-794895	
2 PLC ±0.13 [.005]		WEIGHT	SCALE 5:1 SHEET 1 OF 1 REV C	
3 PLC ±-		CUSTOMER DRAWING		
4 PLC ±-				
ANGLES ±0° 30'				
FINISH				
MATERIAL NYLON, UL 94V-0, WHITE				