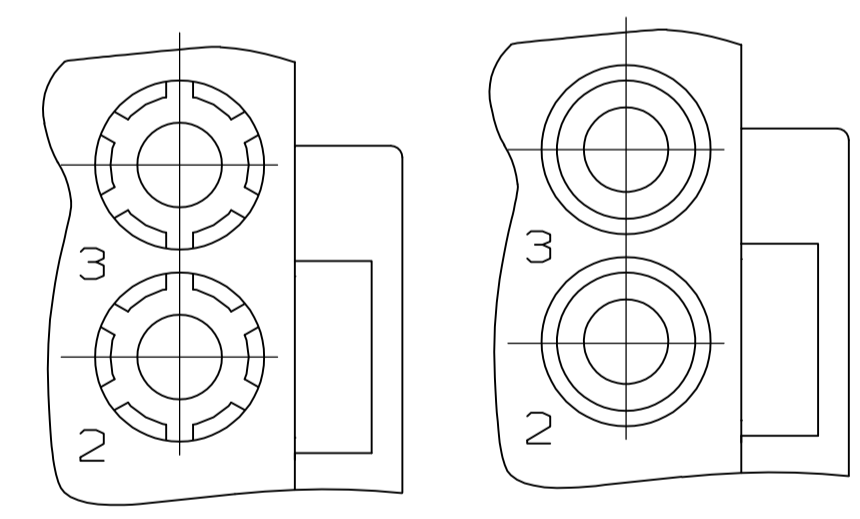
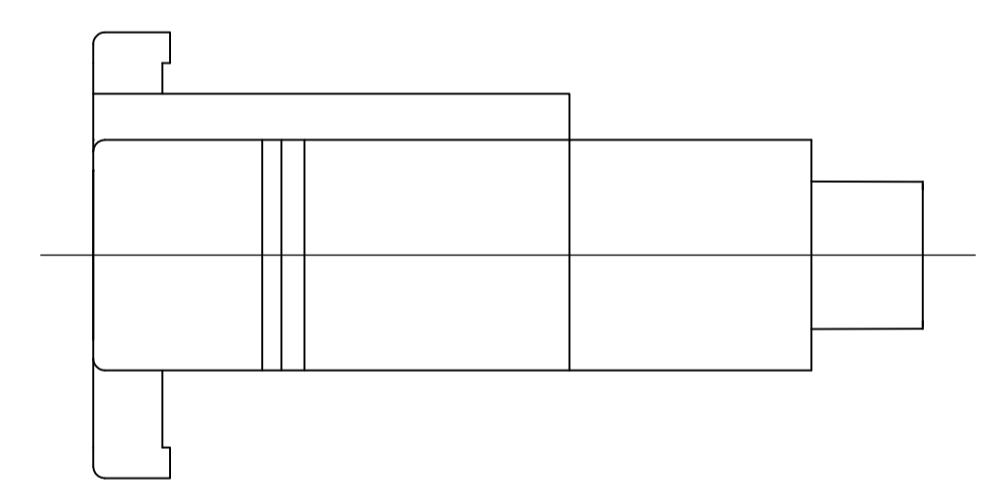
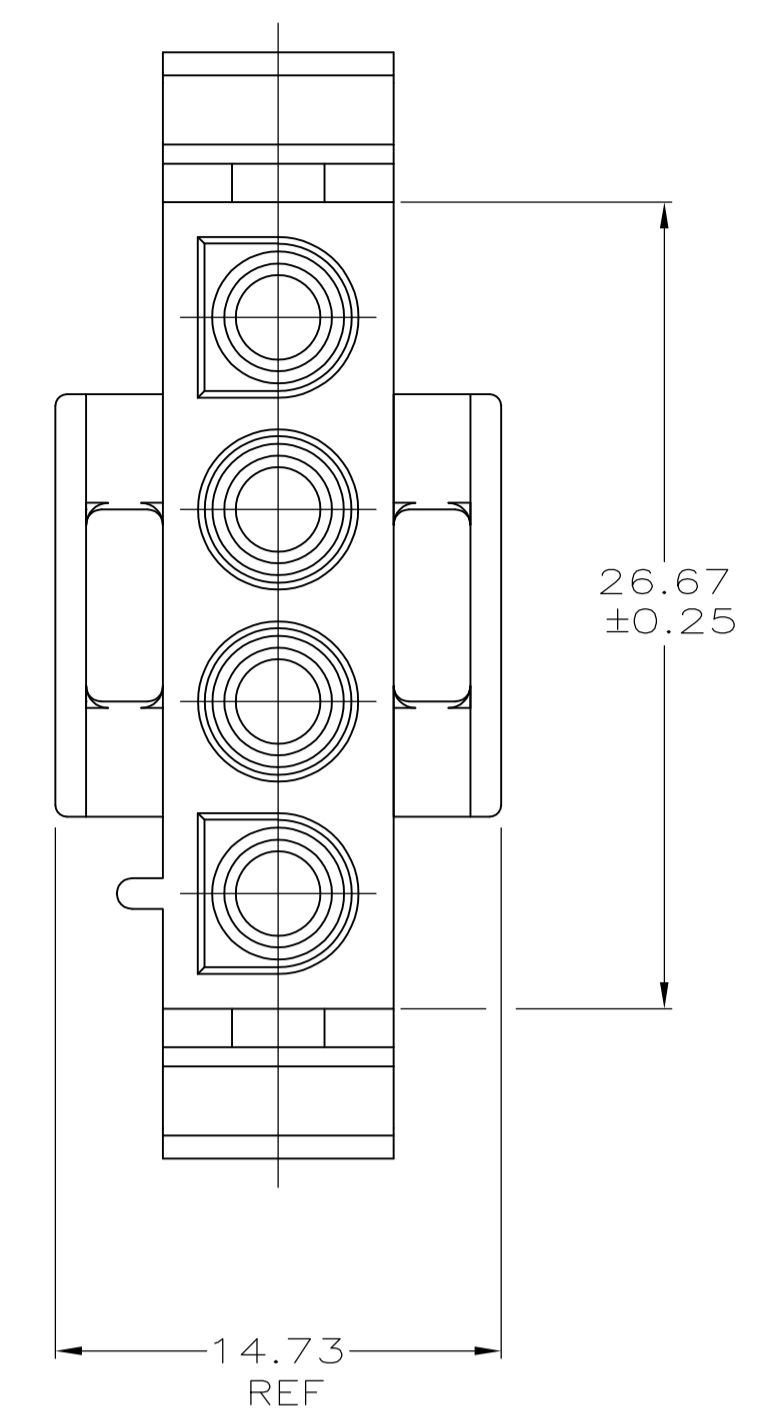
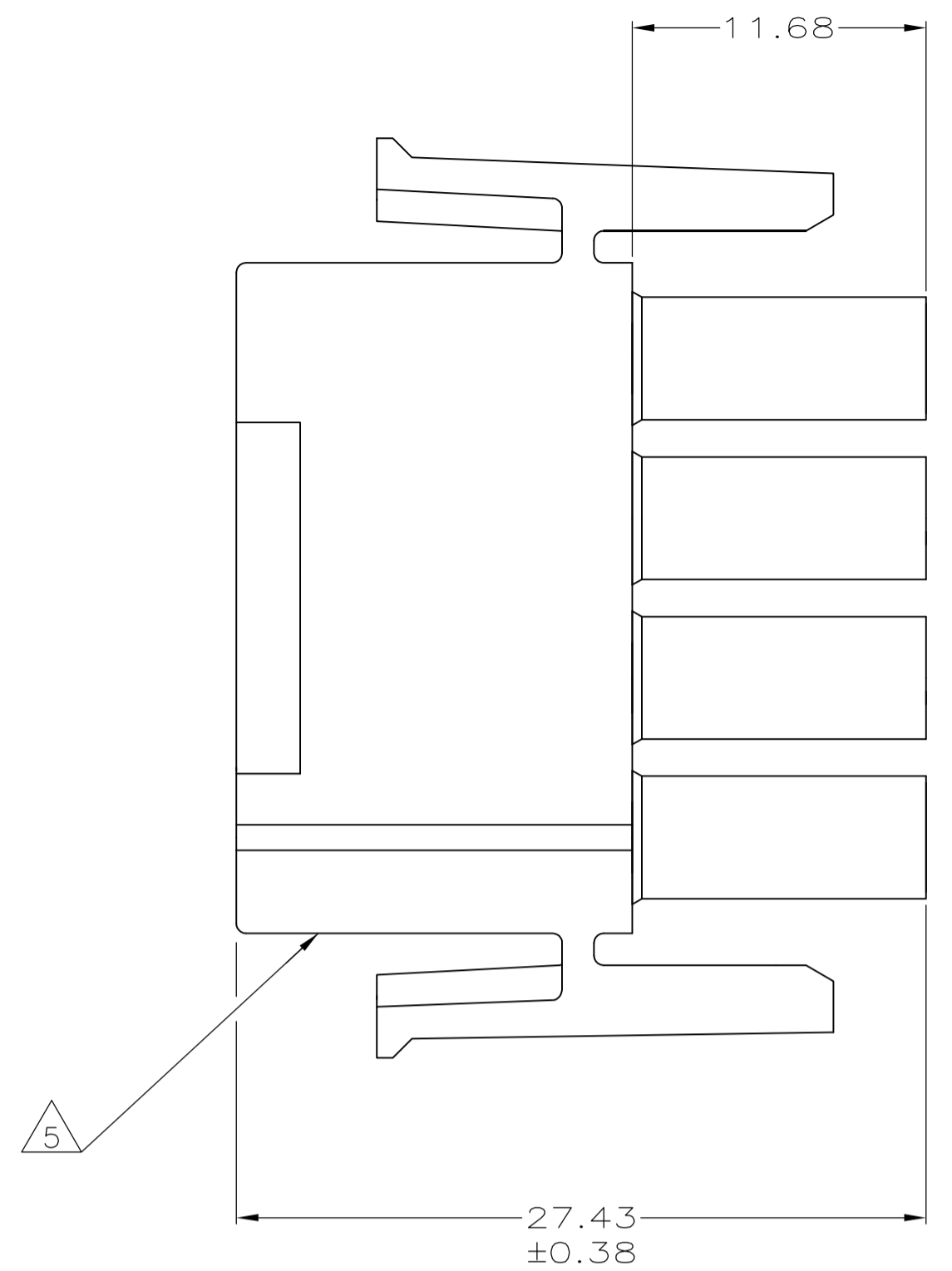
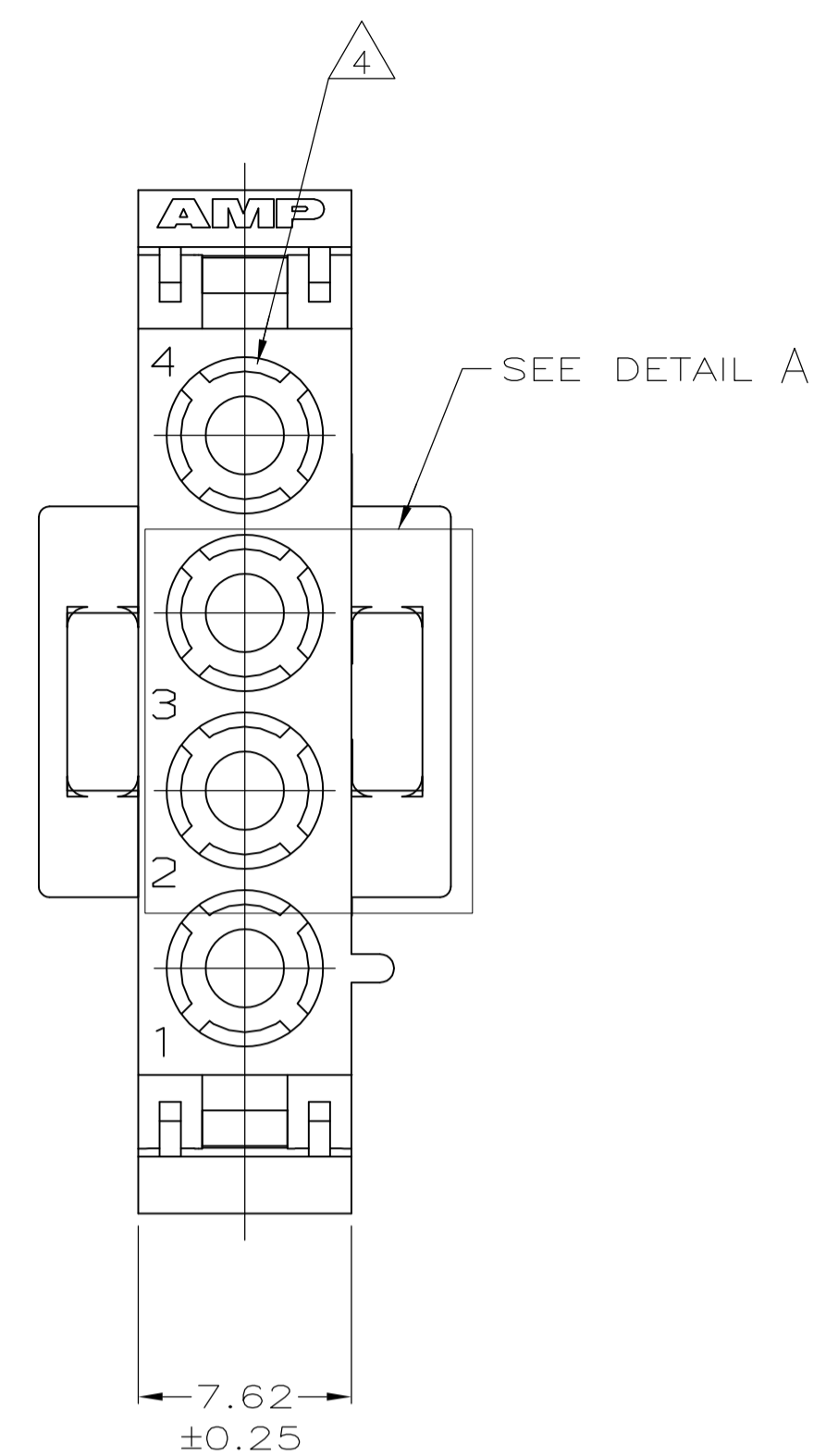
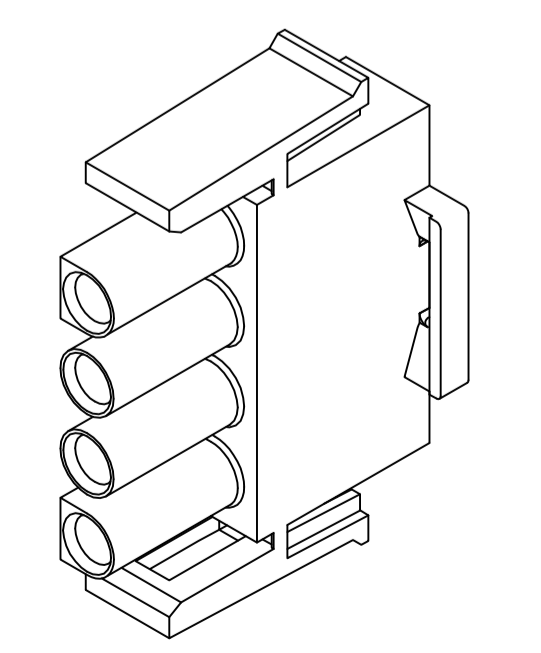


REVISIONS					
REV	DATE	DESCRIPTION	BY	CHK	APPV
A2	23AUG2017	REVISED PER ECO-17-011927	RS	KR	



DETAIL A
OPTIONAL CONSTRUCTION

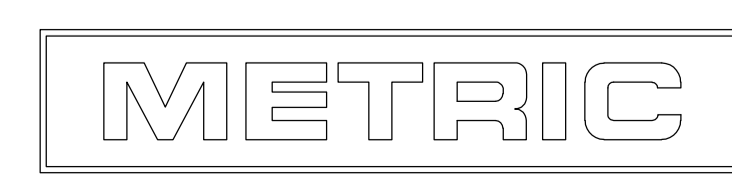


3-DIMENSIONAL MODEL
NTS

- MATES WITH APPROPRIATE UNIVERSAL MATE-N-LOK™ CAP OR HEADER.
- SMALL NICKS ARE PERMITTED ON THE CIRCUIT TOWERS WHICH COULD INCREASE THE INITIAL HOUSING MATING FORCE BY UP TO 4.4 NEWTONS [1.0 LBS]. NO INDIVIDUAL NICKED TOWER SHALL INCREASE THIS FORCE BY OVER 2.2 NEWTONS [.5 LBS].
- DIMENSIONS SHOWN REPRESENT PRODUCT IN DRY, AS MOLDED CONDITION ADDITIONAL 2% GROWTH DUE TO SUBSEQUENT MOISTURE ABSORPTION MAY OCCUR AND SHOULD BE ACCOUNTED FOR.
- FOUR RIBS EQUALLY SPACED, NO SPECIFIC ORIENTATION. NO RIBS OR SIX RIBS EQUALLY SPACED, NO SPECIFIC ORIENTATION, OPTIONAL.
- UNDERWRITERS RECOGNIZED COMPONENT LOGO AND CSA CERTIFICATION LOGO TO BE LOCATED ONCE EACH ON SIDE OF HOUSING.
- 150° C TEMPERATURE RATING FOR THIS HOUSING IS FOR SHORT TERM DURATION. MAX OPERATING TEMPERATURE REMAINS 125° C.
- PHOSPHOR BRONZE CONTACTS SHOULD ALWAYS BE USED WITH THIS HOUSING.

MM	IN
27.43	1.080
26.67	1.050
14.73	.580
11.68	.460
7.62	.300
0.38	.015
0.25	.010
0.13	.005
MM	IN

CONVERSION TABLE



THIS DRAWING IS A CONTROLLED DOCUMENT.

DIMENSIONS: mm	TOLERANCES UNLESS OTHERWISE SPECIFIED:	DIN 12-NOV-2001 K. WHITAKER	12-NOV-2001
0. PLC ± -	1. PLC ± -	CHK S. RIDGILL	12-NOV-2001
2. PLC ± 0.13	3. PLC ± -	APPV S. RIDGILL	12-NOV-2001
4. PLC ± -	ANGLES ± 0° 30'	NAME	
MATERIAL NYLON, UL 94V-2	FINISH -	PRODUCT SPEC	
		APPLICATION SPEC	
		WEIGHT 0.000000	A1 00779 C=794899
		CUSTOMER DRAWING	SCALE 4:1 SHEET 1 OF 1 REV A2

BLACK	794899-1
COLOR	PART NUMBER

STE TE Connectivity

PLUG,
4 CIRCUIT,
UNIVERSAL MATE-N-LOK™