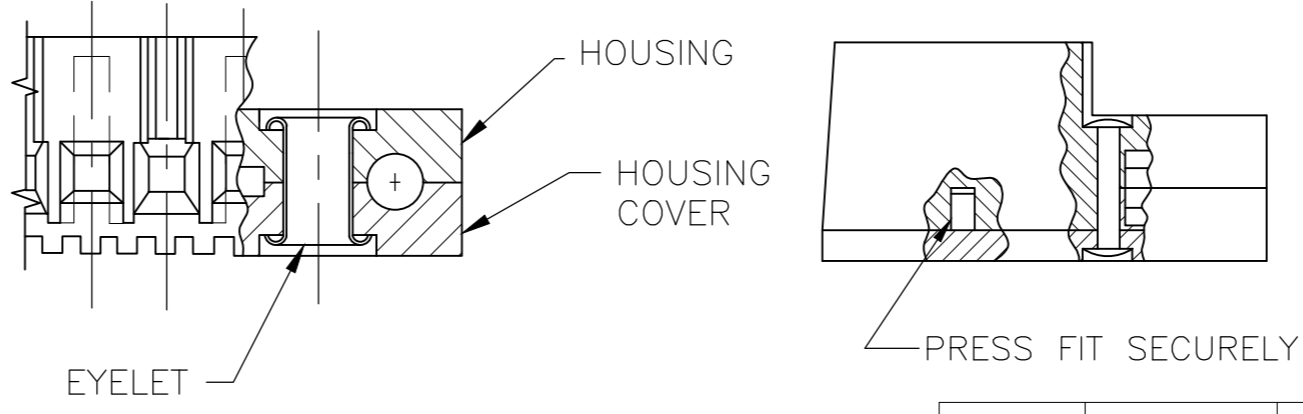
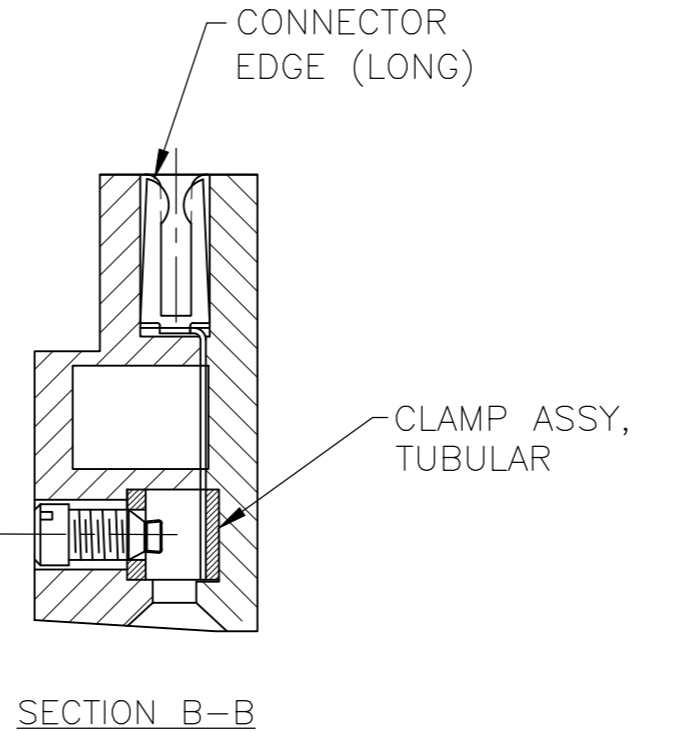
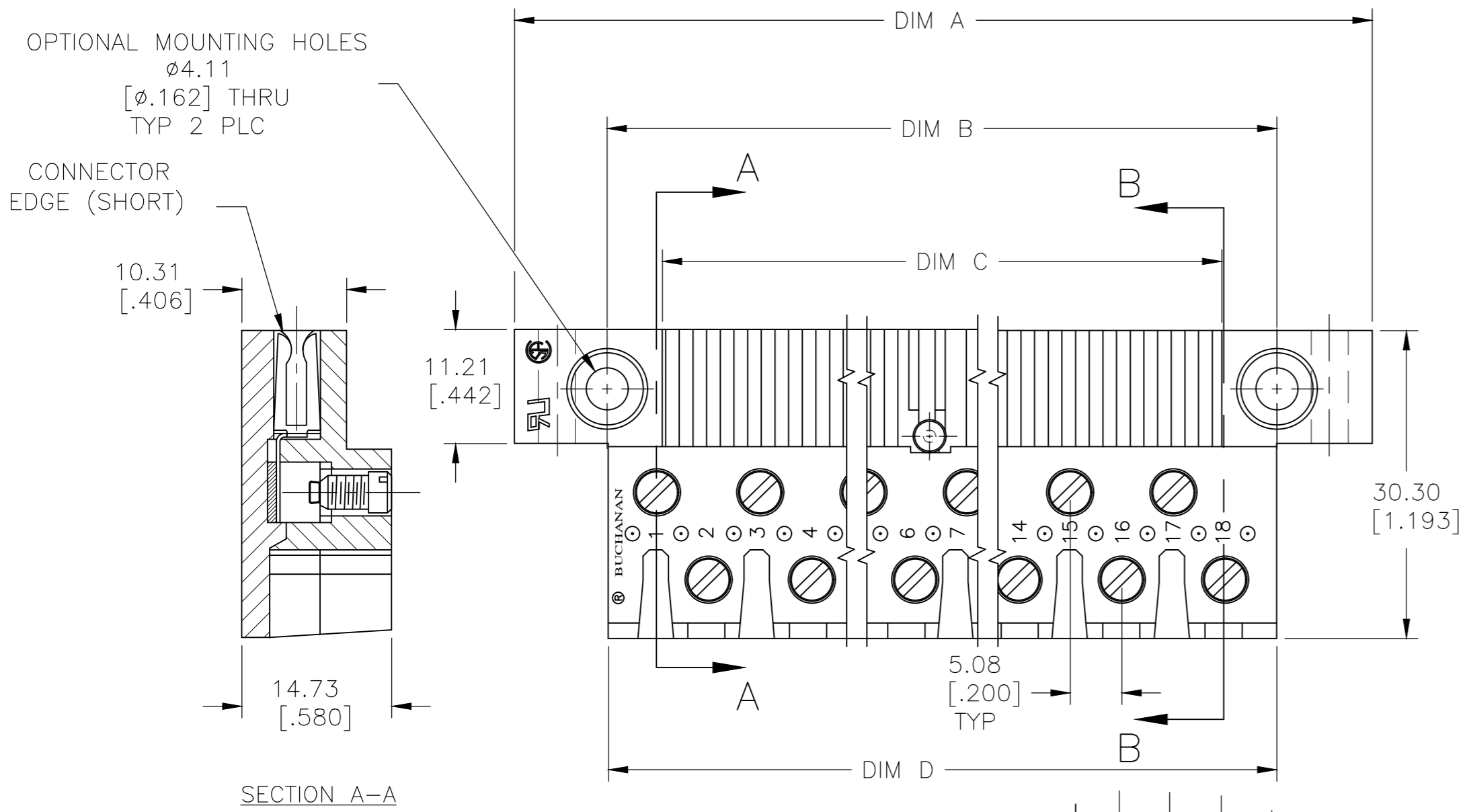


THIS DRAWING IS UNPUBLISHED. RELEASED FOR PUBLICATION
 © COPYRIGHT - By - ALL RIGHTS RESERVED.

REVISIONS					
P	LTR	DESCRIPTION	DATE	DWN	APVD
G1		REVISED PER ECR-16-006414	09OCT2017	FP	FP



MATERIAL:
 HOUSING : POLYESTER UL94V-0, COLOR: BLACK.
 PC CONTACT : BRASS WITH TIN OR GOLD OVER NI.
 TUBULAR CONTACT : BRASS
 SCREW : ZINC PLATED STEEL

MECHANICAL PROPERTIES:
 SCREW SIZE : #6-32
 TIGHTENING TORQUE : 5-8 IN-LBS.
 BOARD INSERTION FORCE : 5.6 OZ. PER CKT.
 BOARD SEPARATION FORCE : 1.8 OZ. PER CKT.

ELECTRICAL PROPERTIES:
 MAX. CURRENT : 10A
 OPERATING VOLTAGE : 250V
 DIELECTRIC WITHSTAND : 2500V
 INSULATION RESISTANCE : 10^{11} OHMS
 CONTACT RESISTANCE : 6 MILLIOHMS
 WIRE RANGE : 1 OR 2 #18 SOL/STR

ENVIRONMENTAL PROPERTIES:
 OPERATING TEMPERATURE : -65°C TO +140°C

OBSOLETE	9.000	8.720	9.000	9.750	GOLD	44	PCB3A44A	1-1437411-4
	7.000	6.720	7.000	7.750	TIN	34	PCB3A34S	3-1546107-4
	6.600	6.320	6.600	7.350	GOLD	32	PCB3A32A	1437411-9
OBSOLETE	6.200	5.920	6.200	6.950	GOLD	30	PCB3A30A	1437411-7
	5.000	4.720	5.000	5.750	TIN	24	PCB3A24S	1437411-6
	4.600	4.320	4.600	5.350	TIN	22	PCB3A22S	1437411-4
	3.812	3.520	3.812	4.550	TIN	18	PCB3A18S	1437411-2
OBSOLETE	3.812	3.520	3.812	4.550	GOLD	18	PCB3A18A	9-1437410-9
OBSOLETE	3.400	3.120	3.400	4.150	GOLD	16	PCB3A16A	9-1437410-7
OBSOLETE	2.600	2.320	2.600	3.350	GOLD	12	PCB3A12A	9-1437410-3
OBSOLETE	2.200	1.920	2.200	2.950	TIN	10	PCB3A10S	9-1437410-2
OBSOLETE	3.200	1.920	2.200	2.950	GOLD	10	PCB3A10A	9-1437410-1
OBSOLETE	1.800	1.520	1.800	2.550	GOLD	8	PCB3A08A	8-1437410-9
OBSOLETE	1.400	1.120	1.400	2.150	TIN	6	PCB3A06S	8-1437410-8
	DIM D	DIM C BOARD WIDTH	DIM B	DIM A	CONTACT FINISH	NO OF POSITION	CATALOG NUMBER	PART NUMBER

THIS DRAWING IS A CONTROLLED DOCUMENT.

DWN RAGHAVENDRA 04SEP2008
 CHK SAM MACE 04SEP2008
 APVD SAM MACE 04SEP2008

TE TE Connectivity

NAME: PCB3A SERIES ASSEMBLY, 5.08[.200] PITCH

PRODUCT SPEC: -
 APPLICATION SPEC: -

SIZE: A2 CAGE CODE: 00779 DRAWING NO: 8-1437410-8 RESTRICTED TO: -

WEIGHT: 0.000000 SCALE: 2:1 SHEET: 1 OF 1 REV: G1

CUSTOMER DRAWING