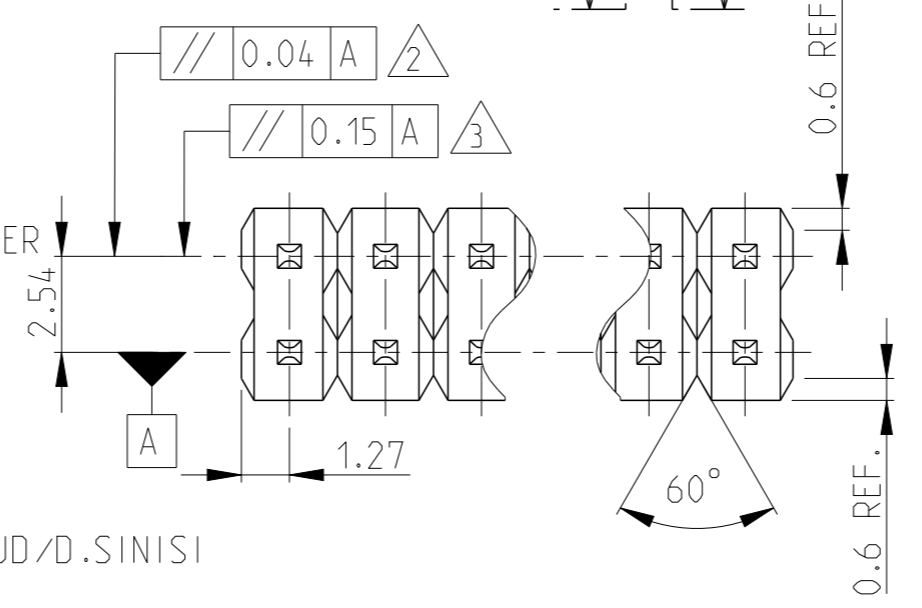
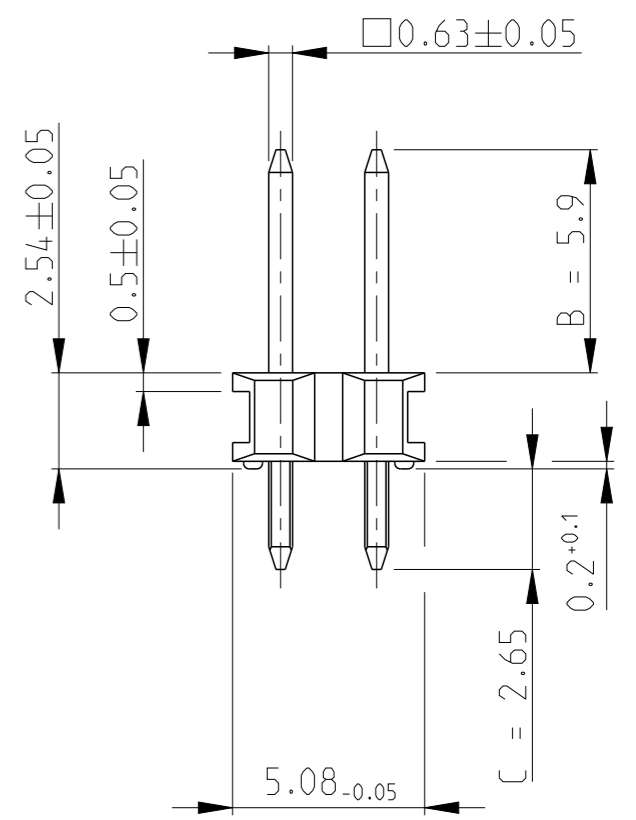
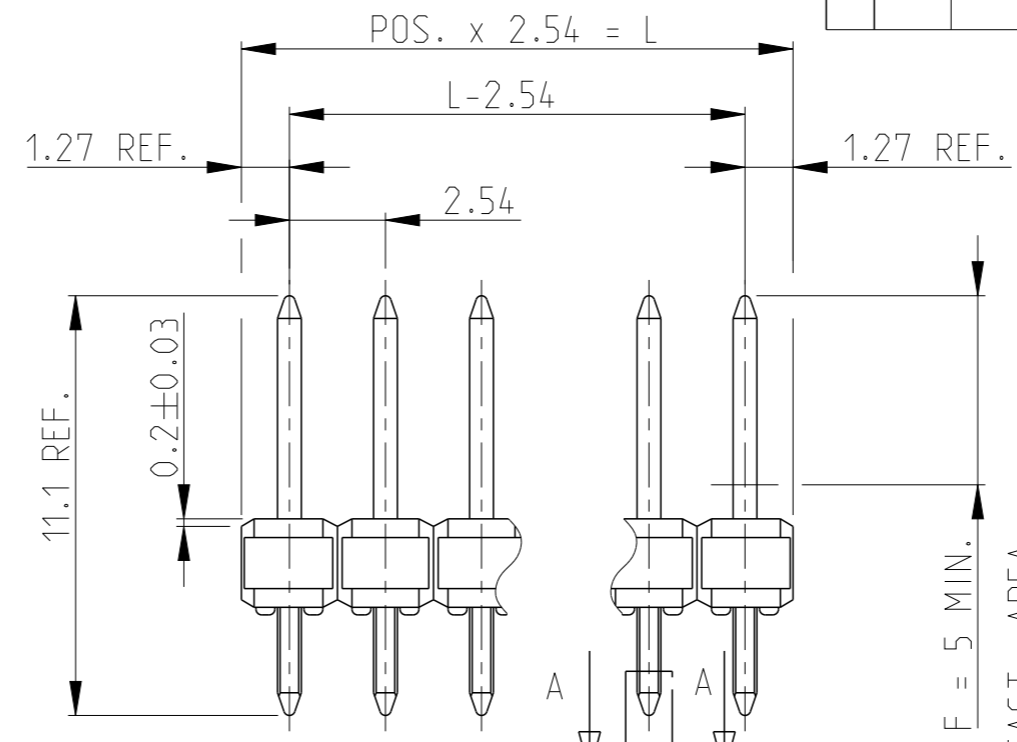
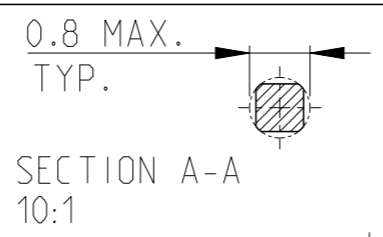


THIS DRAWING IS UNPUBLISHED. RELEASED FOR PUBLICATION 2006

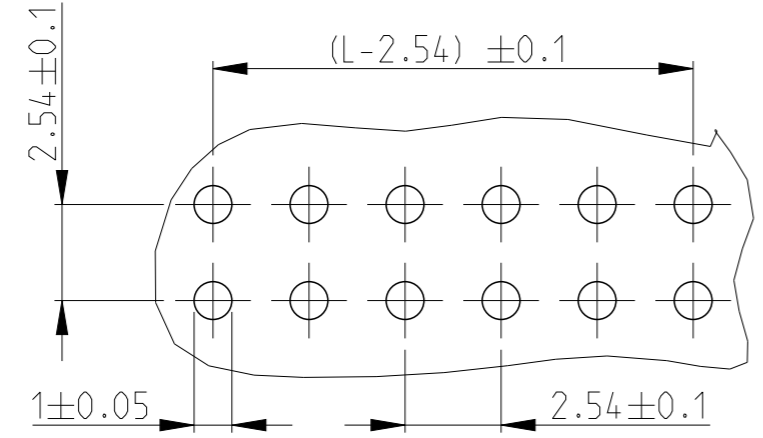
© COPYRIGHT 2006 ALL RIGHTS RESERVED.

POS. PER ROW	L +0.3 -0.6	PART - NO.	POS. PER ROW	L +0.3 -0.6	PART - NO.
-	-	-	26	66.04	2- 828 430-6
2	5.08	828 430-2	27	68.58	2- -7
3	7.62	△ -3	28	71.12	2- -8
4	10.16	↑ -4	29	73.66	2- -9
5	12.70	-5	30	76.20	△ 3- -0
6	15.24	△ -6	31	78.74	△ 3- -1
7	17.78	-7	32	81.28	△ 3- -2
8	20.32	-8	33	83.82	3- -3
9	22.86	△ -9	34	86.36	3- -4
10	25.40	1- -0	35	88.90	3- -5
11	27.94	△ 1- -1	36	91.44	△ 3- -6
12	30.48	1- -2	37	93.98	△ 3- -7
13	33.02	△ 1- -3	38	96.52	△ 3- -8
14	35.56	△ 1- -4	39	99.06	△ 3- -9
15	38.10	△ 1- -5	40	101.60	△ 4- -0
16	40.64	△ 1- -6	41	104.14	△ 4- -1
17	43.18	△ 1- -7	42	106.68	△ 4- -2
18	45.72	△ 1- -8	43	109.22	△ 4- -3
19	48.26	1- -9	44	111.76	△ 4- -4
20	50.80	△ 2- -0	45	114.30	△ 4- -5
21	53.34	2- -1	46	116.84	△ 4- -6
22	55.88	△ 2- -2	47	119.38	△ 4- -7
23	58.42	2- -3	48	121.92	△ 4- -8
24	60.96	2- -4	49	124.46	△ 4- -9
25	63.50	△ 2-828 430-5	50	127.00	△ 5-828 430-0



- △ 1 MIN. 0.7 μm PdNi + MIN. 0.1 μm GOLD FLASH AT AREA F OVER 1.27 μm NICKEL AT AREA B
MIN. 3 μm TIN OVER 1.27 μm NICKEL AT AREA C
- △ 2 FROM -2 TILL 3- -6
- △ 3 FROM 3- -7 TILL 5- -0
- △ 4 OBSOLETE PARTS: OBSOLETE CIS STREAMLINING PER D.RENAUD/D.SINISI
- △ 5 OBSOLETE

PC BOARD LAYOUT



△ 1	CuZn	CONTACT PIN KONTAKTSTIFT
COLOUR GREEN	PBT	PIN HOUSING STIFTGEHAEUSE
REMARK BEMERKUNG	MATERIAL	DESCRIPTION BEZEICHNUNG

THIS DRAWING IS A CONTROLLED DOCUMENT.

DWN A.HO 27MRZ1986
CHK M.SCHAARSCHMIDT 02APR1986
APVD -

DIMENSIONS: mm TOLERANCES UNLESS OTHERWISE SPECIFIED:

0 PLC	± 0.1
1 PLC	± 0.1
2 PLC	± 0.1
3 PLC	± -
4 PLC	± -
ANGLES	± 2°
FINISH	SEE TABLE

MATERIAL SEE TABLE WEIGHT -

Customer Drawing

NAME AMPMODU II
PIN HEADER DUAL ROW

SIZE A3 CAGE CODE 00779 DRAWING NO. C-828430 RESTRICTED TO -

SCALE 5:1 SHEET 1 OF 1 REV B

TE Connectivity