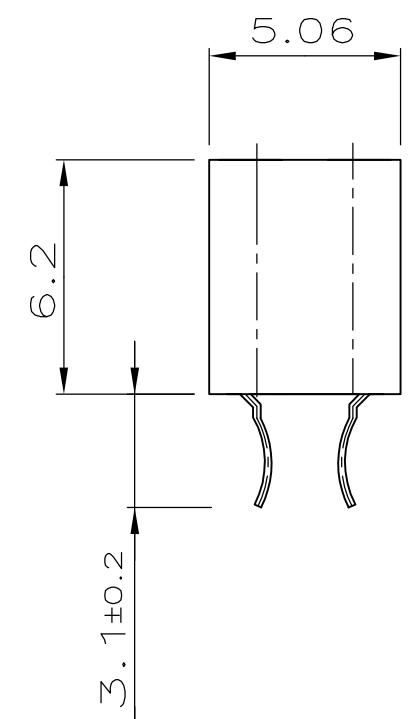
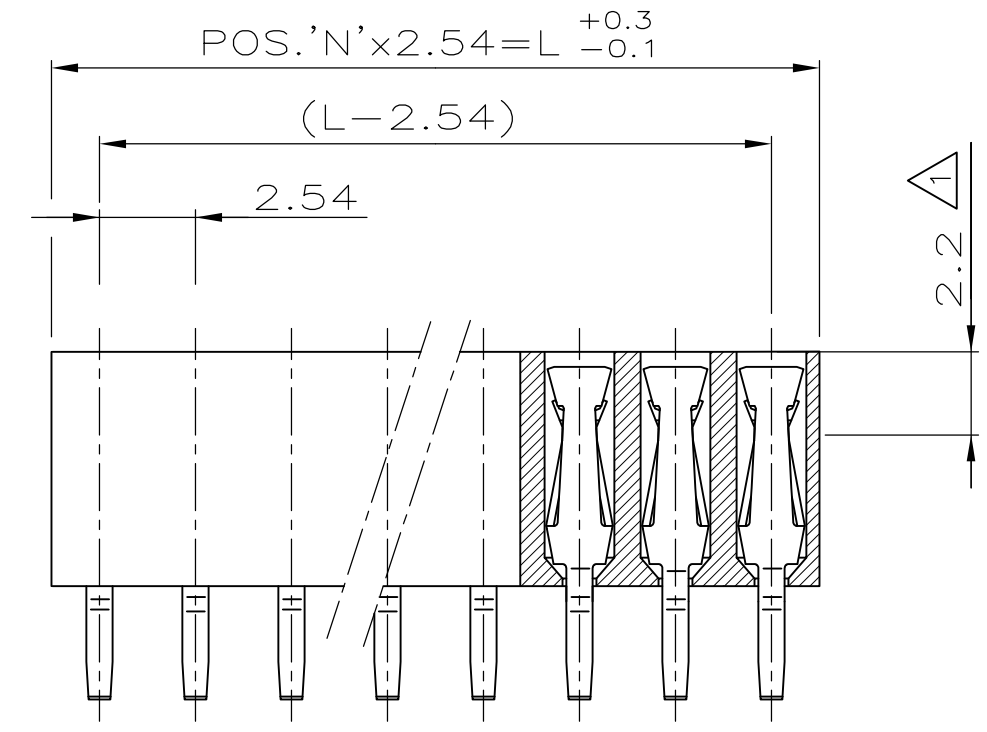


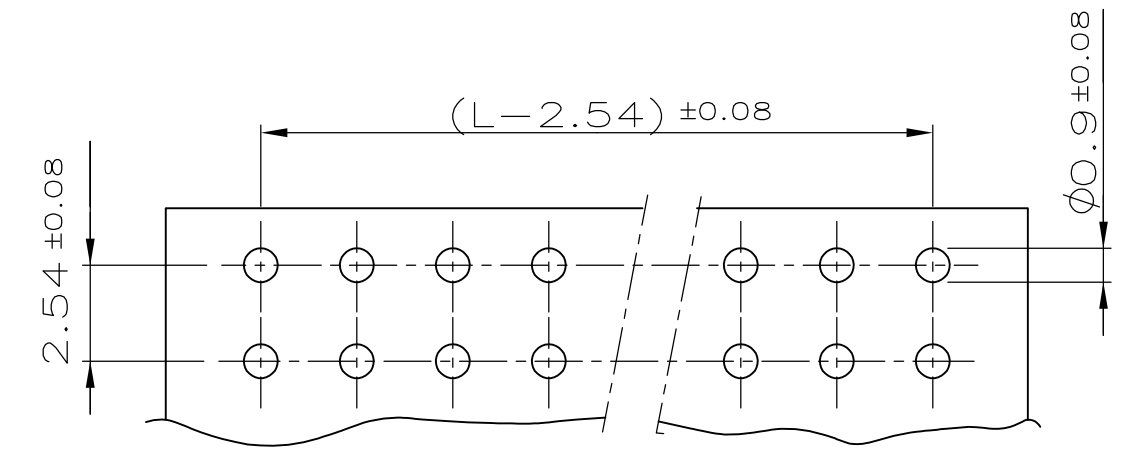
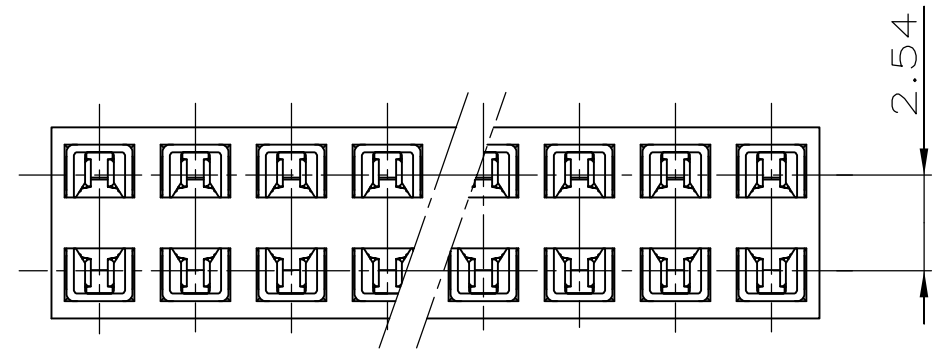
THIS DRAWING IS UNPUBLISHED. RELEASED FOR PUBLICATION  
 © COPYRIGHT - By - ALL RIGHTS RESERVED.

LOC	DIST	REVISIONS			
P	LTR	DESCRIPTION	DATE	DWN	APVD
A1	-	C	Hsg mat change to readily available PBT resin	03JAN2014	PS JK

POS. PER ROW 'N'	L	PART NUMBER	
-	-	-	
2	5.08	<del>829-410-2</del>	OBSOLETE
3	7.62		-3
4	10.16		-4
5	12.70		-5
6	15.24		-6
7	17.78		-7
8	20.32		-8
9	22.86		-9
10	25.40	1-	-0
11	27.94	1-	-1
12	30.48	1-	-2
13	33.02	1-	-3
14	35.56	1-	-4
15	38.10	1-	-5
16	40.64	1-	-6
17	43.18	1-	-7
18	45.72	1-	-8
19	48.26	1-	-9
20	50.80	2-	-0
21	53.34	2-	-1
22	55.88	2-	-2
23	58.42	2-	-3
24	60.96	2-	-4
25	63.50	2-	-5
26	66.04	2-	-6
27	68.58	2-	-7
28	71.12	2-	-8
29	73.66	2-	-9
30	76.20	3-	-0
31	78.74	3-	-1
32	81.28	3-	-2
33	83.82	3-	-3
34	86.36	3-	-4
35	88.90	3-	-5
36	91.44	<del>3-829-410-6</del>	OBSOLETE



- NOTES:
- 1 CONTACT-POINT.
  - 2 PLATING : 2.5-4.0 μm TIN OVER 0.5μm NICKEL
  - 3. RECOMMENDED P.C.BOARD-THICKNESS: 1,6mm.
  - 4. MATES WITH 0,63 SQUARE/ROUND MODU POSTS.
  - 5. HV100 CONNECTOR PACKED IN ANTI-STATIC BLISTER TRAY



P.C.-BOARD HOLE-PATTERN

HV 100 CONTACT	CuSn	2
HV 100 HOUSING	PBT	GREEN
DESCRIPTION	MATERIAL	FINISH/COLOR

THIS DRAWING IS A CONTROLLED DOCUMENT.	
DIMENSIONS: mm	TOLERANCES UNLESS OTHERWISE SPECIFIED: ±0.15
	0 PLC ± - 1 PLC ± - 2 PLC ± - 3 PLC ± - 4 PLC ± - ANGLES ± -
MATERIAL	FINISH
SEE TABLE	SEE TABLE

DWN	A.HO	31.05.89	<b>STE</b> TE Connectivity		
CHK	M.SCHAARSCHMIDT	31.05.89			
APVD	-	-	NAME		
PRODUCT SPEC	108-19056	-	HV100 CONN. VERTICAL, 6.2mm TOP ENTRY, DUAL ROW, TIN		
APPLICATION SPEC	-	-	SIZE	CAGE CODE	DRAWING NO
WEIGHT	-	-	A3	00779	C-829410
CUSTOMER DRAWING			RESTRICTED TO	-	
SCALE			5:1	SHEET	1 OF 1
REV			C		