

THIS DRAWING IS UNPUBLISHED.

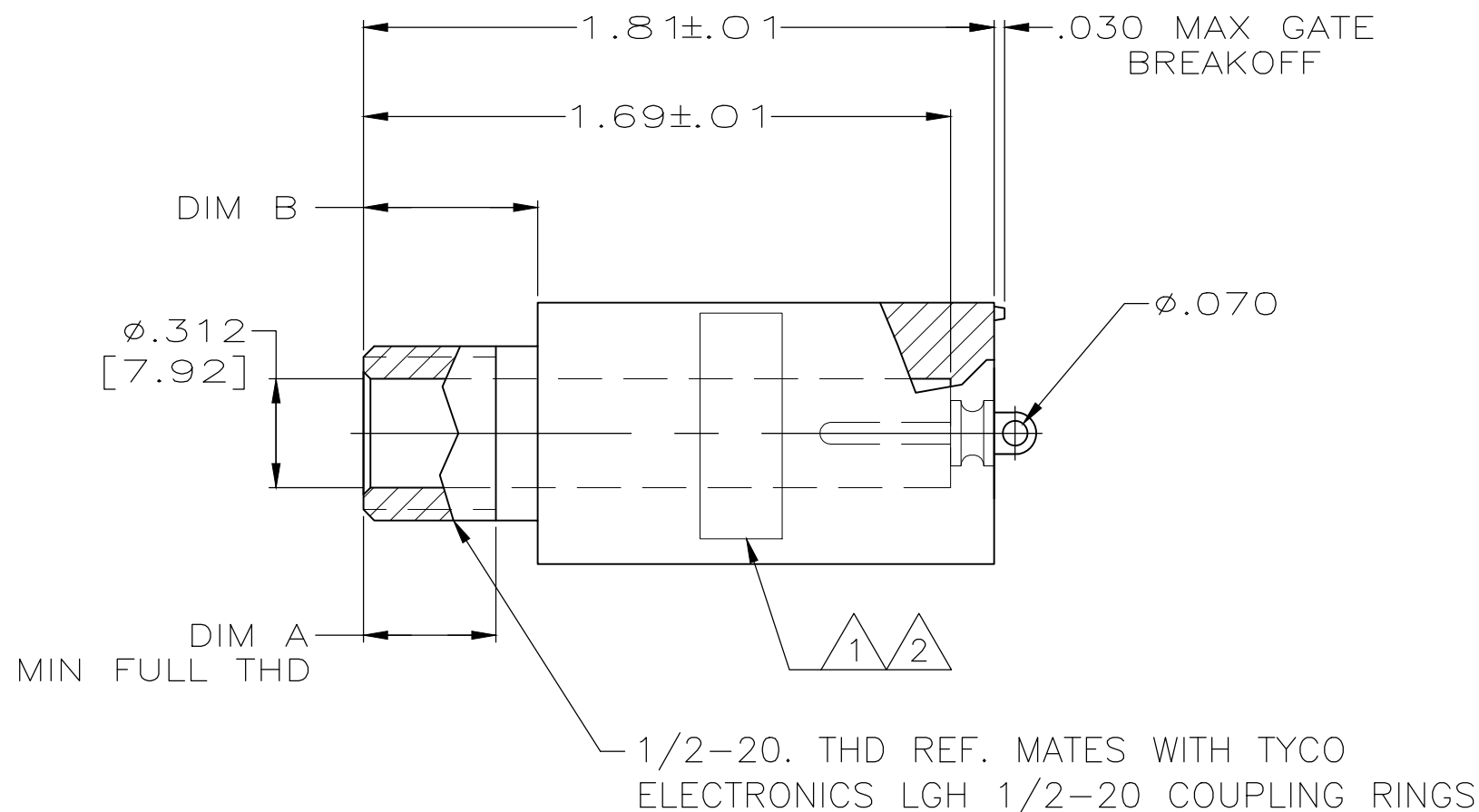
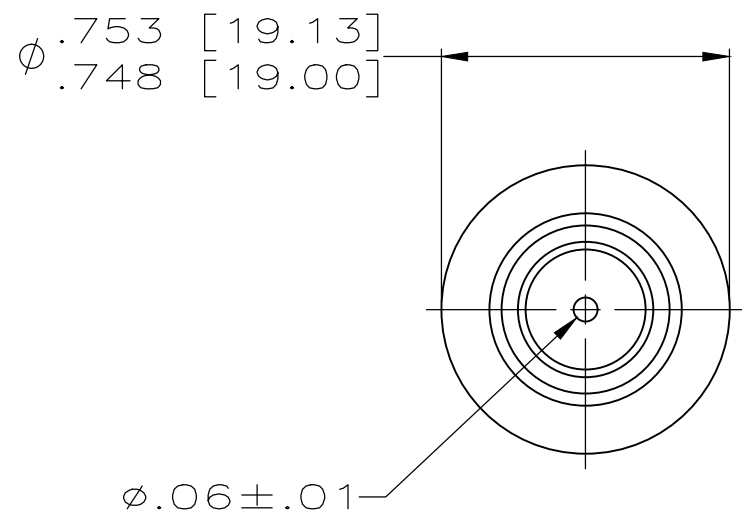
RELEASED FOR PUBLICATION

-.N/A.

© COPYRIGHT N/A By -

ALL RIGHTS RESERVED.

LOC	DIST	REVISIONS					
DF	SO	P	LTR	DESCRIPTION	DATE	DWN	APVD
			L	REVISED PER ECO-15-007054	06JUN2015	MGM	CT



- MARKED PER MIL-STD-130.
- MARKED PER MIL-STD-130, INCLUDING SPECIAL CUSTOMER MARKING FOR -7 ONLY.
- CONTACT FINISH: TIN-LEAD .00010 MIN. THK PER SAE-AMS-P-81728 AND PARAGRAPH 6.3, 3-13% LEAD

-	.500 [12.70]	.38 [9.7]	TIN	5-858868-1
	.500 [12.70]	.38 [9.7]	GOLD	858868-7
	.630 [16.00]	.56 [14.2]	TIN-LEAD	858868-5
OBSOLETE	.500 [12.70]	.38 [9.7]	GOLD	858868-2
	.500 [12.70]	.38 [9.7]	TIN-LEAD	858868-1
REMARKS	DIM B	DIM A	TERMINAL PLATING	PART NUMBER

THIS DRAWING IS A CONTROLLED DOCUMENT.		DWN	06JUN2015	TE Connectivity RECEPTACLE ASSEMBLY LGH-1	
		MANJUNATH G M	06JUN2015		
		CHK	06JUN2015		
		CHARLES THOMAS	06JUN2015		
		APVD	06JUN2015	NAME	
		CHARLES THOMAS	06JUN2015	CHARLES THOMAS	
		PRODUCT SPEC		APPLICATION SPEC	
		-		-	
		WEIGHT		-	
MATERIAL		FINISH		SIZE	CAGE CODE
GLASS EPOXY MLDG CMPD		SEE TABLE		A3	00779
		CUSTOMER DRAWING		DRAWING NO	RESTRICTED TO
				C-858868	-
		SCALE		SHEET	REV
		2:1		1 OF 1	L