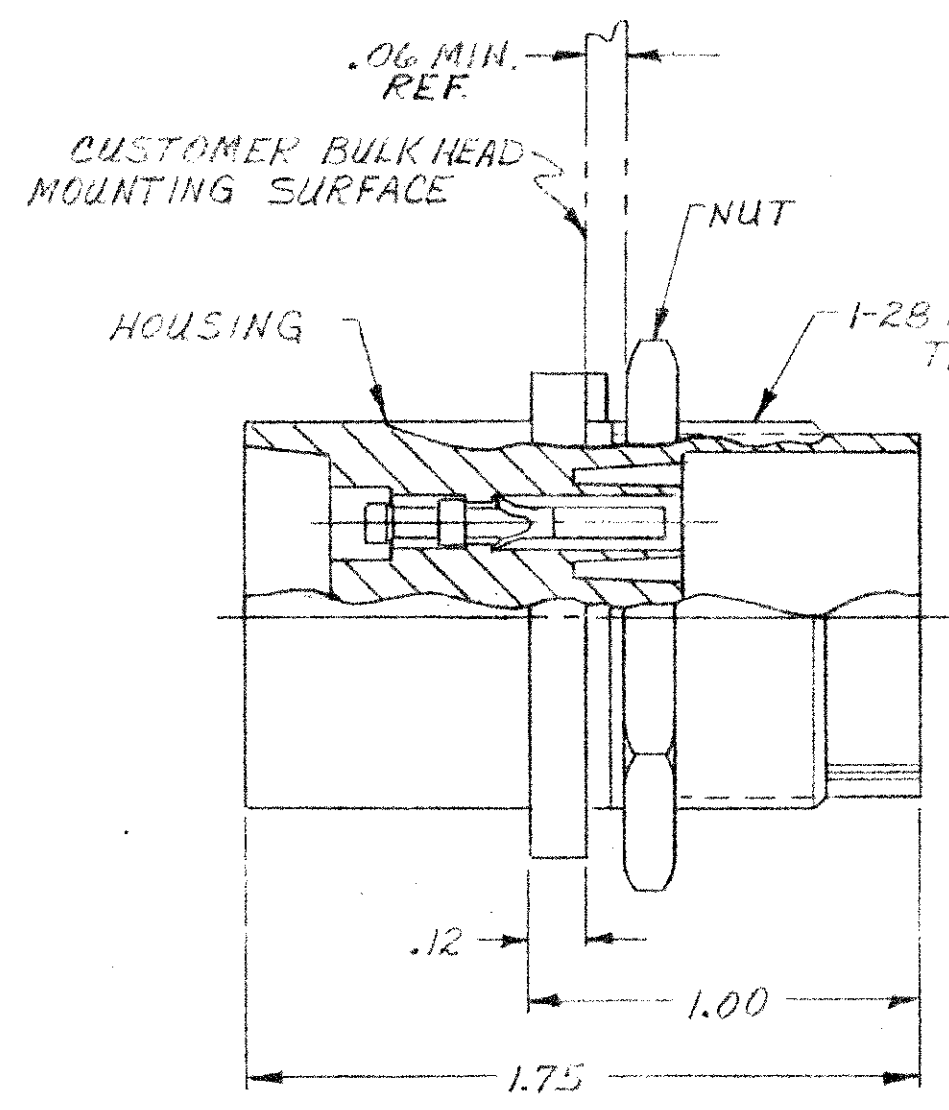


© 1972 BY AMP INCORPORATED. ALL RIGHTS RESERVED. AMP PRODUCTS COVERED BY PATENTS AND/OR PATENTS PENDING.

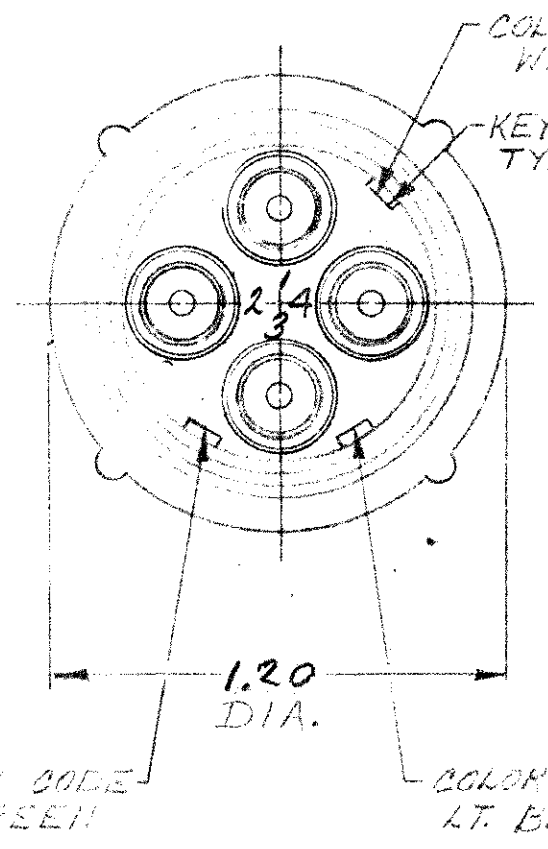
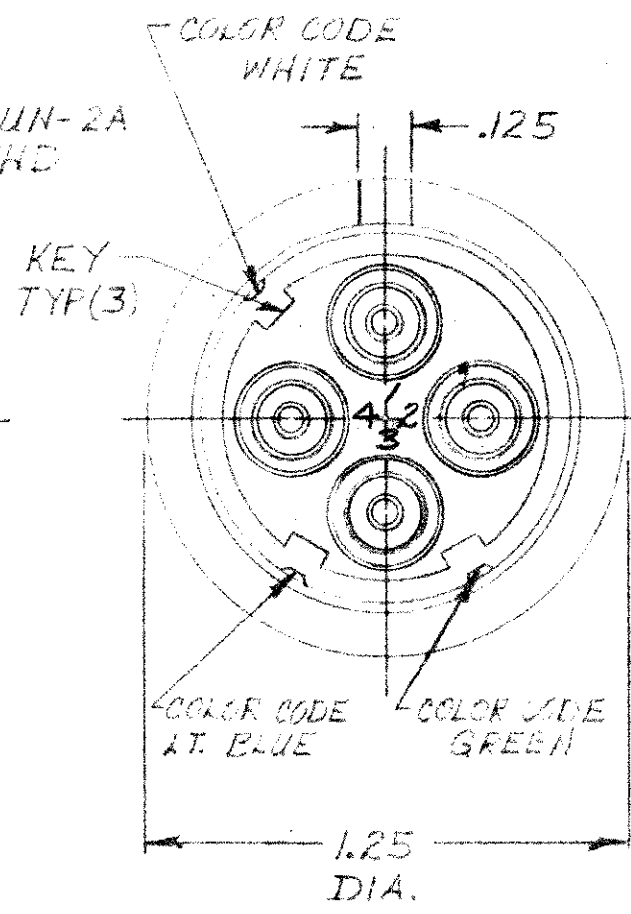
THIS PRODUCT DESIGNED AND BUILT BY AMP INCORPORATED. NO LICENSE TO USE THAT DESIGN IN MANUFACTURE, OR TO USE ANY ISSUED OR PENDING PATENTS WHICH ARE INVOLVED, IS IMPLIED.

REVISIONS				
ZONE	LTR	DESCRIPTION	DATE	APPROVED
A		REV. NOTES ADDED -2	11/18/74	M.S.
B		ADDED -3	2-26-76 DS	M.S.
C		ADDED -4, -5, -6	6-30-77 DS	M.S.
D		OBSOLETE -3 THRU -6	11-5-86 ECN S3615	R.S.
E		REV PER OH14-120-04	10-04	CT

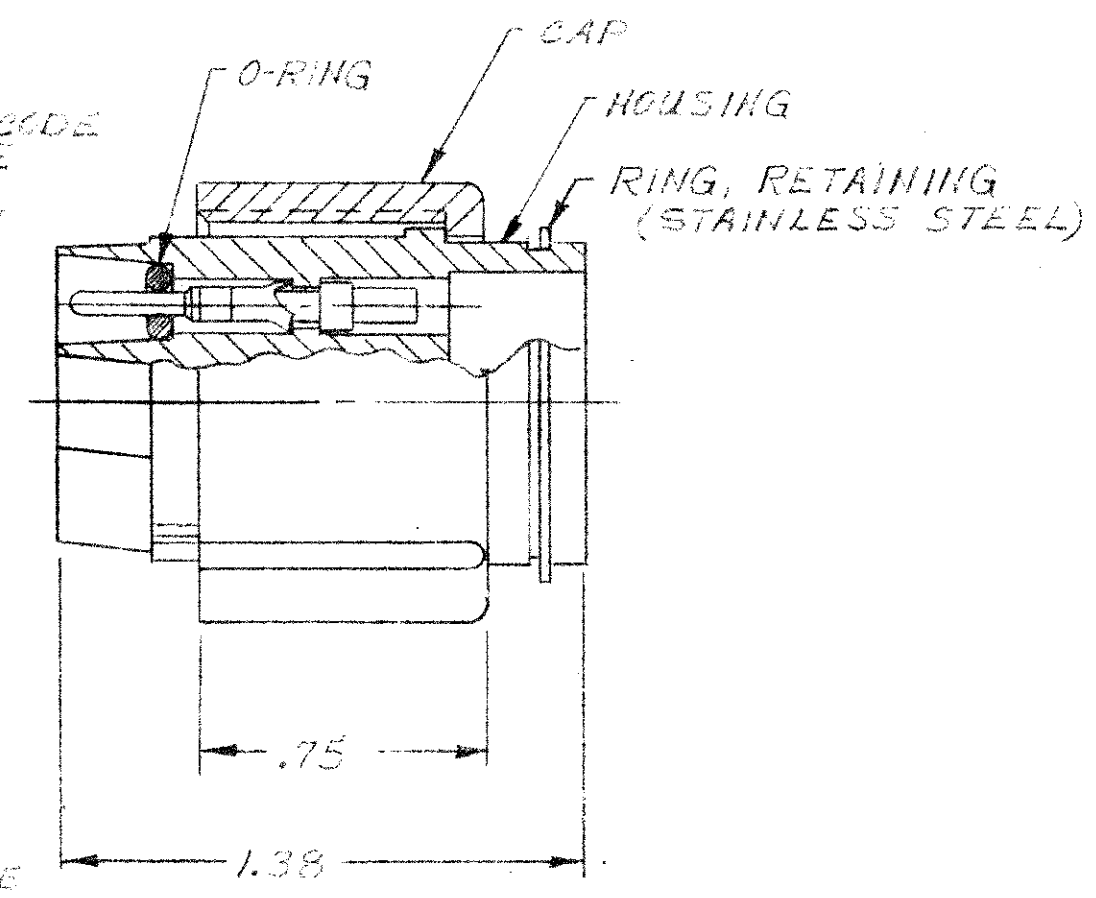
Unpublished copy not to be reproduced without written permission of AMP INCORPORATED.



RECEPTACLE



PLUG

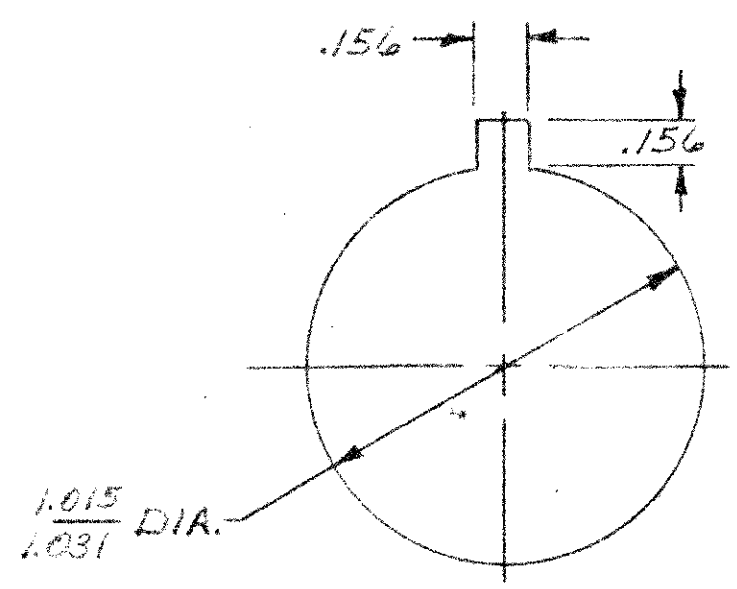


AMP P/N	RECEPTACLE	PLUG	WIRE SIZE RANGE	HAND TOOL	COLOR CODING
860286-1	859526-1	860265-1	20, 22, 24	45099	YES
860286-2	859526-2	860265-2	18, 16	45098	YES
860286-3	859526-3	860265-3	14	45098	YES
860286-4	859526-4	860265-4	20, 22, 24	45099	NO
860286-5	859526-5	860265-5	16, 18	45098	NO
860286-6	859526-6	860265-6	14	45098	NO

OBSOLETE

NOTE:

- 1. PINS & SOCKETS SUPPLIED SEPARATELY IN PLASTIC BAG.
- 2. TYPE II PINS & SOCKETS TO ACCEPT ONE (1) 20 AWG, (1) 22 AWG, OR (1) 24 AWG STRANDED WIRE
- 3. TYPE II PINS & SOCKETS TO ACCEPT ONE (1) 16 AWG, OR (1) 18 AWG STRANDED WIRE
- 4. TYPE II PINS & SOCKETS TO ACCEPT ONE (1) 14 AWG STRANDED WIRE.



RECOMMENDED PANEL CUTOUT

QTY REQD	QTY REQD	ITEM NO.	DWG SIZE	PART OR IDENTIFYING NO.	NOMENCLATURE OR DESCRIPTION	SYMBOL
-2	-1					

UNLESS OTHERWISE SPECIFIED: DIMENSIONS ARE IN INCHES TOLERANCES		CONTRACT NO.	
.00 ±	ANGLES =	DR	
.000 ±		CHK	L. Gieb 6-1-72
MATERIAL:		AMP INCORPORATED	
MOLDED PLASTIC		CAPITRON DIVISION	
FINISH:		ELIZABETHTOWN, PENNSYLVANIA	
BLACK		NAME	
		4 PIN PLUG & RECEPTACLE KIT	
NEXT ASSY		DSGN APPD	
FINAL ASSY		OTHER APPD	
NEXT ASSY		SIZE	CODE IDENT NO.
USED ON		C	00779
QTY REQD		NUMBER	860286
APPLICATION		REV	E
		SCALE	WT
		SHEET 1 OF 1	