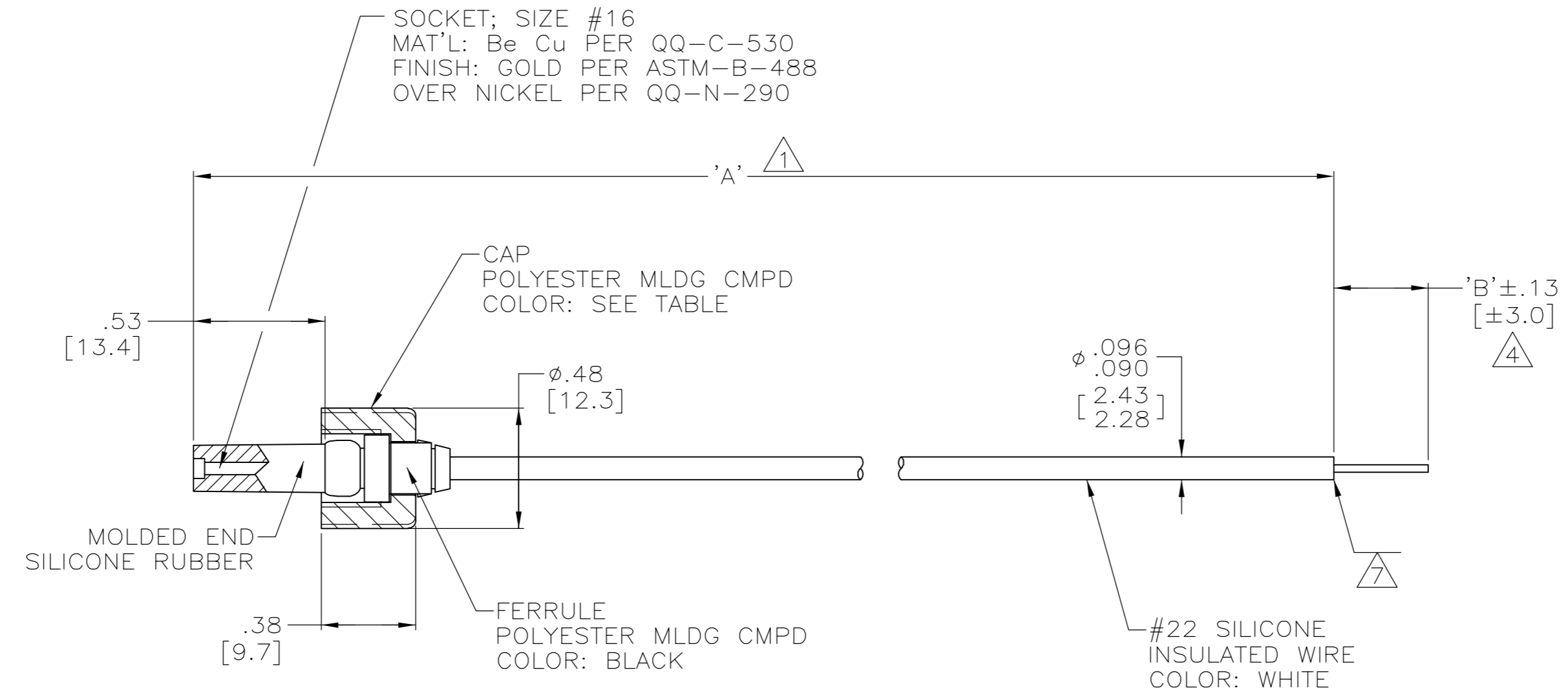


THIS DRAWING IS UNPUBLISHED. RELEASED FOR PUBLICATION - N/A .
 © COPYRIGHT N/A BY TYCO ELECTRONICS CORPORATION. ALL RIGHTS RESERVED.

LOC	DIST	REVISIONS					
DF	S0	P	LTR	DESCRIPTION	DATE	DWN	APVD
		W		REV PER ECO-05-002582	06-05	AA	DE

PART NO.	'A' $\triangle 1$	'B'	CAP COLOR	REMARKS
860424-1	12.00 [304.80]	.38 [9.7]	GREEN	$\triangle 4$
860424-2	12.00 [304.80]	.38 [9.7]	RED	OBSOLETE
860424-3	8.00 [203.20]	.38 [9.7]	GREEN	$\triangle 4$
860424-4	10.00 [254.00]	.38 [9.7]	GREEN	$\triangle 4$
860424-5	10.00 [254.00]	.38 [9.7]	BLACK	OBSOLETE
860424-6	4.75 [120.65]	.25 [6.3]	GREEN	OBSOLETE
860424-7	9.50 [241.30]	.38 [9.7]	RED	OBSOLETE
860424-8	12.00 [304.80]	.38 [9.7]	GREEN	OBSOLETE
860424-9	5.50 [139.70]	-	GREEN	OBSOLETE
1-860424-0	11.25 [285.75]	-	GREEN	OBSOLETE
1-860424-1	10.50 [266.70]	-	GREEN	OBSOLETE
1-860424-2	15.50 [393.70]	.38 [9.7]	GREEN	OBSOLETE
5-860424-4	10.00 [254.00]	.38 [9.7]	GREEN	$\triangle 4$

- $\triangle 1$ TOLERANCE OF LEAD LENGTH:
UP TO 24 INCHES [609.6] = ± 12 [± 3.0]
24 INCHES [609.6] & UP = $\pm 1\%$
- $\triangle 2$ AMP INFORMATION MARKED PER MIL-STD-130.
- 3. TO MATE WITH AMP LGH-1/2 RECEPTACLE WITH .53 [13.5] BARREL DEPTH.
- $\triangle 4$ PIGTAIL SOLDER DIPPED.
- 5. OPERATING VOLTAGE: 10 KVDC AT 0 TO 70,000 FEET, -55°C TO 125°C.
- $\triangle 6$ LEAD MARKING (PER TABLE) MARKED PER MIL-STD-130; .08 CHARS.
- $\triangle 7$ INSULATION CUT TO LENGTH, BUT NOT REMOVED.



THIS DRAWING IS A CONTROLLED DOCUMENT.		DWN R.J. RINEHART 15-MAR-90	Tyco Electronics Corporation Harrisburg, Pa 17105-3608													
DIMENSIONS: INCHES		CHK D. EABY 12-NOV-91														
TOLERANCES UNLESS OTHERWISE SPECIFIED:		APVD D. EABY 12-NOV-91	NAME LEAD ASSEMBLY, POSITIVE STOP LGH-1/2, SPECIAL SILICONE WIRE (.53 MOLDED END)													
<table border="1"> <tr><td>0 PLC</td><td>± -</td></tr> <tr><td>1 PLC</td><td>± -</td></tr> <tr><td>2 PLC</td><td>± .01 [0.3]</td></tr> <tr><td>3 PLC</td><td>± -</td></tr> <tr><td>4 PLC</td><td>± -</td></tr> <tr><td>ANGLES</td><td>± -</td></tr> </table>		0 PLC	± -	1 PLC	± -	2 PLC	± .01 [0.3]	3 PLC	± -	4 PLC	± -	ANGLES	± -	PRODUCT SPEC -	SIZE A2	CAGE CODE 00779
0 PLC	± -															
1 PLC	± -															
2 PLC	± .01 [0.3]															
3 PLC	± -															
4 PLC	± -															
ANGLES	± -															
MATERIAL SEE CALLOUTS		FINISH SEE CALLOUTS	WEIGHT -	DRAWING NO C=860424												
CUSTOMER DRAWING		SCALE 2:1	SHEET 1 OF 1	REV W												