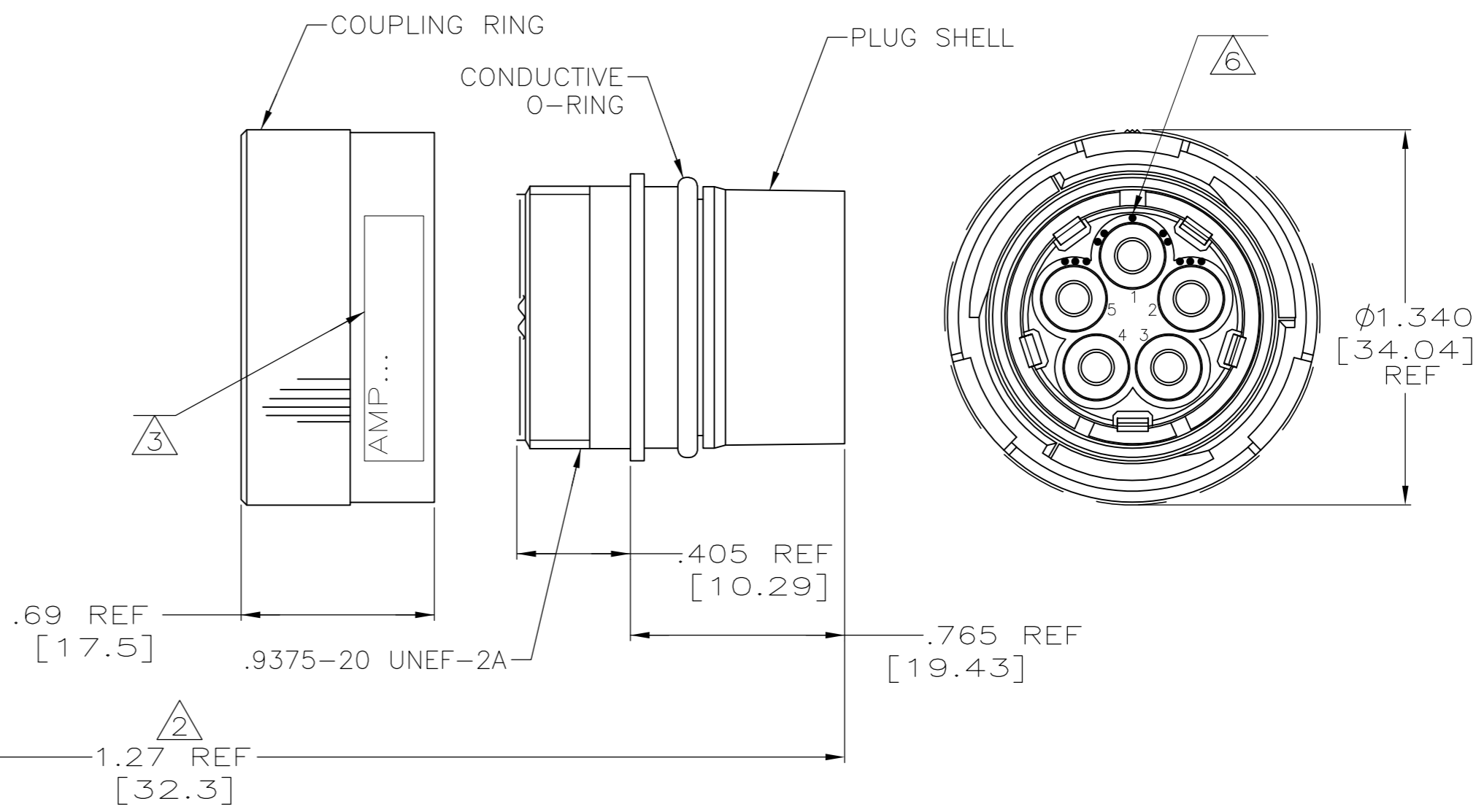
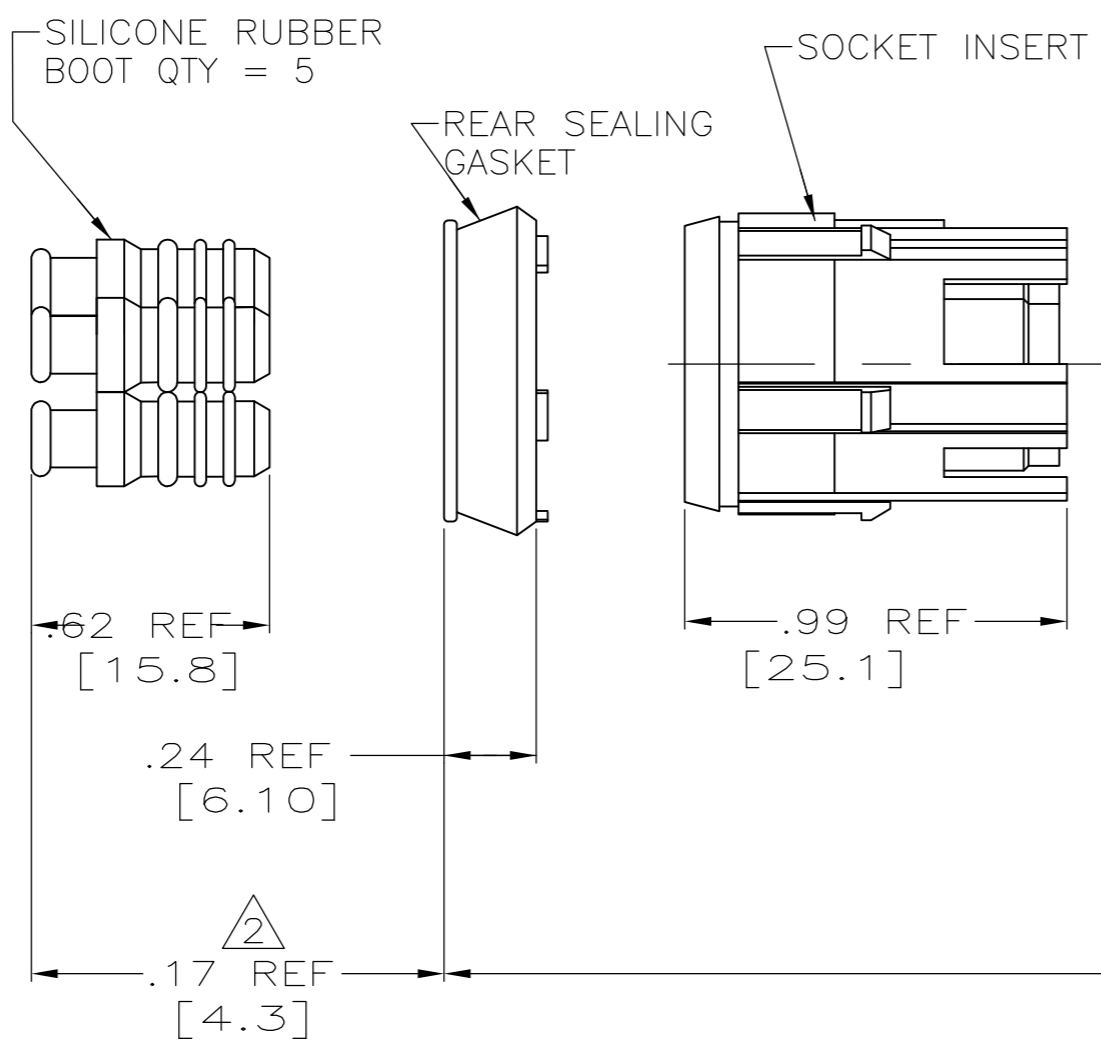
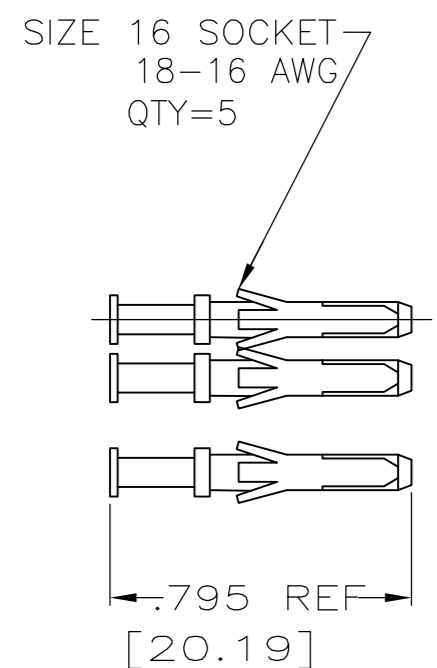


THIS DRAWING IS UNPUBLISHED. RELEASED FOR PUBLICATION
 © COPYRIGHT BY TYCO ELECTRONICS CORPORATION. ALL INTERNATIONAL RIGHTS RESERVED.

LOC	DIST	REVISIONS					
DF	S0	P	LTR	DESCRIPTION	DATE	DWN	APVD
		L		ECO-10-006747	14APR10	PY	DE



- THIS PLUG REQUIRES A SIZE 16 MIL-C-38999F BACKSHELL OR EQUIVALENT STRAIN RELIEF.
- THE INDICATED DIMENSIONS APPLY AFTER ASSEMBLY. COMPLETE OVERALL DIMENSIONS AFTER ASSEMBLY DEPEND UPON THE SPECIFIC BACKSHELL OR STRAIN RELIEF USED.
- MARKED PER MIL-STD-130, .06 HIGH CHARS., WITH WHITE INK. SEE TABLE FOR SPECIAL MARKING.
- TO ASSEMBLE SEE INSTRUCTION SHEET #864886-2.
- THE THREE OUTER COUPLING RING LATCHES ARE BONDED TO INNER HELIX RING WITH AN EPOXY BASE ADHESIVE.
- SINGLE DOT POLARIZATION SHOWN FOR REFERENCE ONLY.

OBSOLETE	(00779/AMP 863752-4)DATE CODE	49956-848285-4B REV M	863752-4
OBSOLETE	(00779/AMP 863752-3)DATE CODE	49956-848285-4A REV M	863752-3
OBSOLETE	(00779/AMP 863752-2)DATE CODE	49956-848285-4 REV M	863752-2
	(00779/AMP 863752-1)DATE CODE	-	863752-1
AMP INFO		CUSTOMER INFO	PART NO.

DIMENSIONS:		TOLERANCES UNLESS OTHERWISE SPECIFIED:		APVD		NAME	
INCHES		0 PLC	± -	DWN	C.C.THOMAS	11-19-96	Tyco Electronics Corporation Harrisburg, PA 17105-3608
		1 PLC	± -	CHK	C.SHELLY	11-26-96	
		2 PLC	± -	APVD	-	-	PLUG KIT,5 POSN.,LGH
		3 PLC	± -	PRODUCT SPEC	-	-	
		4 PLC	± -	APPLICATION SPEC	-	-	SIZE CAGE CODE DRAWING NO RESTRICTED TO
		ANGLES	± -	WEIGHT	-	-	
MATERIAL		FINISH		CUSTOMER DRAWING	SCALE	2:1	SHEET 1 of 1

CUSTOMER DRAWING