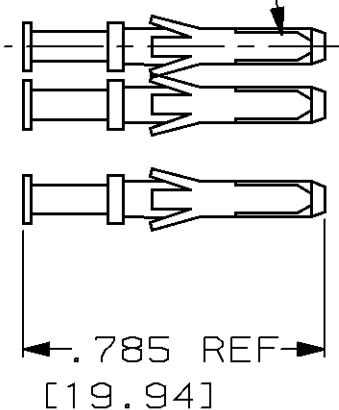
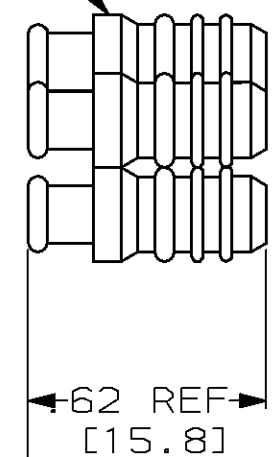


| PROD CODE | LOC | DIST | P | F | ZONE | LTR | DESCRIPTION | DATE | APPD |
|-----------|-----|------|---|---|------|-----|-----------------------------|----------|------|
| 4081 | DF | SO | | | | H | REV & REDRAWN; 0600-5874-96 | CT 11-96 | CS |

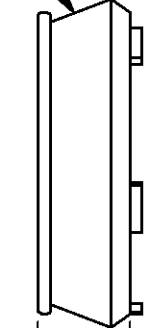
#18-16 AWG SOCKET
QTY = 5



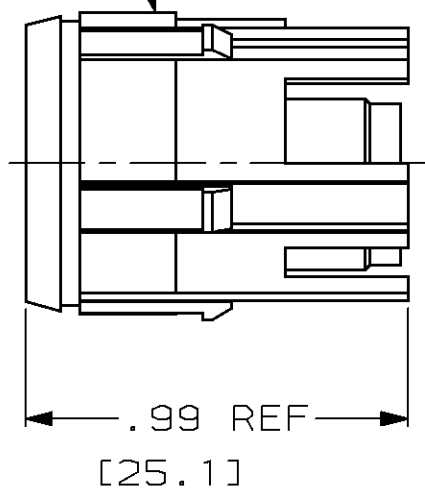
SILICONE RUBBER BOOT
BOOT QTY = 5



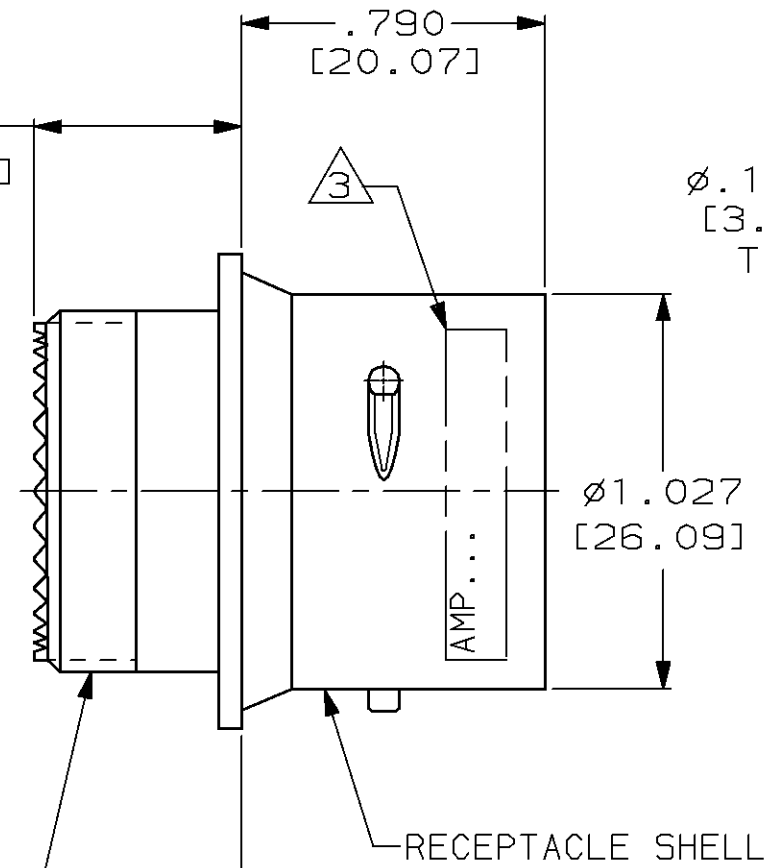
REAR SEALING GASKET



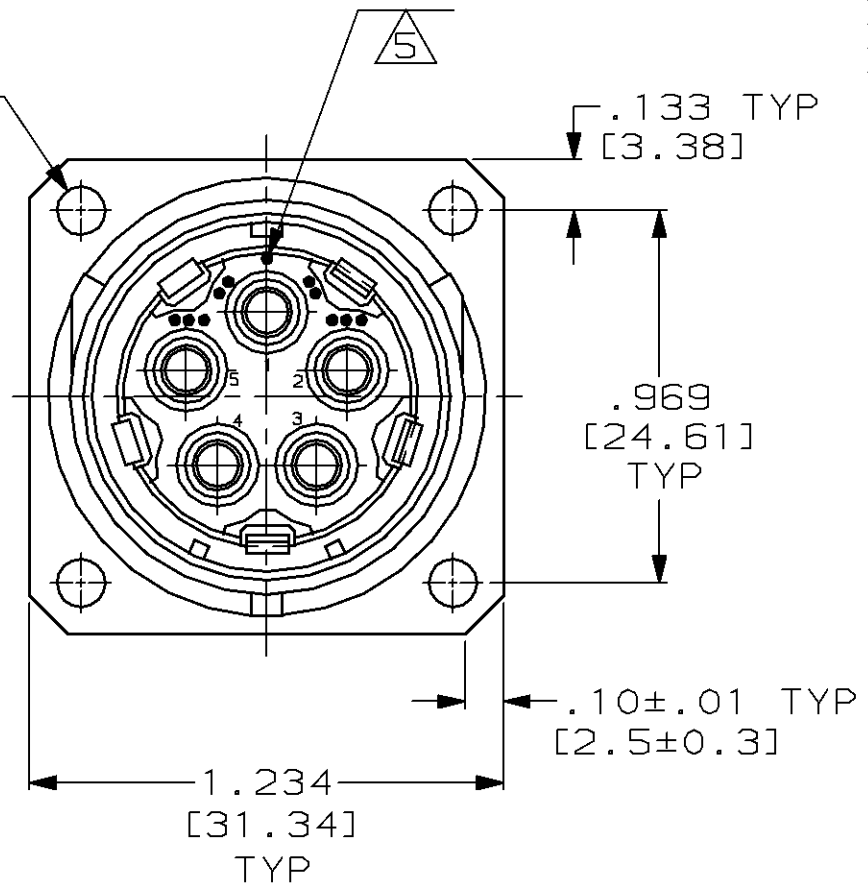
SOCKET INSERT



.540 [13.72]



Ø.125 [3.18] TYP



- THIS RECEPTACLE REQUIRES A SIZE 16 MIL-C-38999F BACKSHELL OR EQUIVALENT STRAIN RELIEF.
- THE INDICATED DIMENSIONS APPLY AFTER ASSEMBLY. COMPLETE OVERALL DIMENSIONS AFTER ASSEMBLY DEPEND UPON THE SPECIFIC BACKSHELL OR STRAIN RELIEF USED.
- MARKED PER MIL-STD-130 USING BLACK INK. .09 [2.3] HIGH CHARS FOR -1 ONLY. .060 [1.52] HIGH CHARS FOR ALL OTHER DASH NUMBERS. SEE TABLE FOR SPECIAL MARKING.
- TO ASSEMBLE SEE INSTRUCTION SHEET #864886-4.
- SINGLE DOT POLARIZATION SHOWN FOR REFERENCE ONLY.

| AMP INFO | CUSTOMER INFO | PART NO. |
|--------------------------------|-----------------------|----------|
| (00779/AMP,863754-4) DATE CODE | 49956-848285-1B REV M | 863754-4 |
| (00779/AMP,863754-3) DATE CODE | 49956-848285-1A REV M | 863754-3 |
| (00779/AMP,863754-2) DATE CODE | 49956-848285-1 REV M | 863754-2 |
| (00779/AMP,863754-1) DATE CODE | - | 863754-1 |

| | | |
|--|------------------------------|---|
| DO NOT SCALE PRINT. UNLESS SPECIFIED DIMENSIONS IN INCHES [mm] TOLERANCES ON : 2 PLC DEC ± .02 [0.5] 3 PLC DEC ± .010 [0.25] ANGLES ± - | DR 11-19-96 C.C. THOMAS | AMP Incorporated Harrisburg, PA 17105-3608 |
| MATERIAL - | CHK 11-26-96 C.SHELLY | |
| FINISH - | APPD 11-26-96 C.SHELLY | NAME RCPT KIT, 5 POSN., LGH |
| | RLSE 11-26-96 C.C. THOMAS | SIZE CAGE CODE DRAWING NO C 00779 C=863754 |
| | PRODUCT SPEC - | SCALE SHEET 2:1 1 OF 1 |
| | APPLICATION SPEC - | |
| | WEIGHT - | |

THIS DRAWING IS A CONTROLLED DOCUMENT FOR AMP INCORPORATED. IT IS SUBJECT TO CHANGE AND THE CONTROLLING ENGINEERING ORGANIZATION SHOULD BE CONTACTED FOR THE LATEST REVISION.