

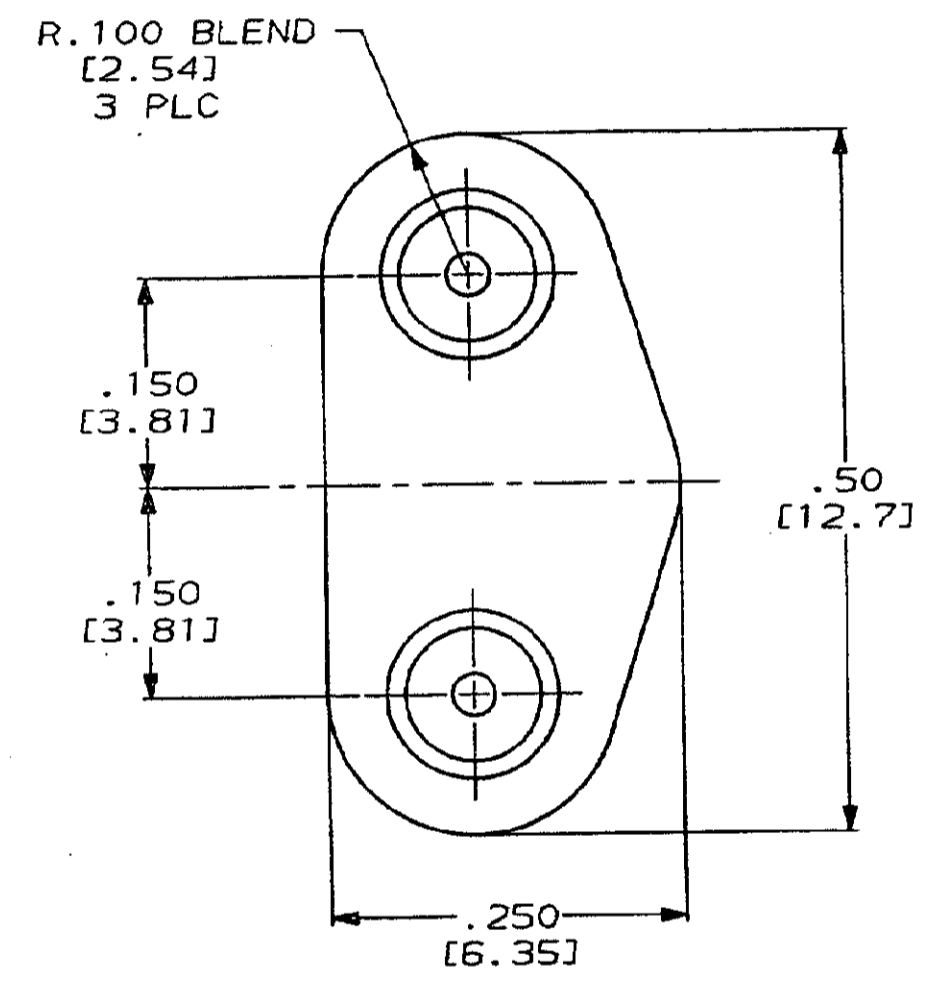
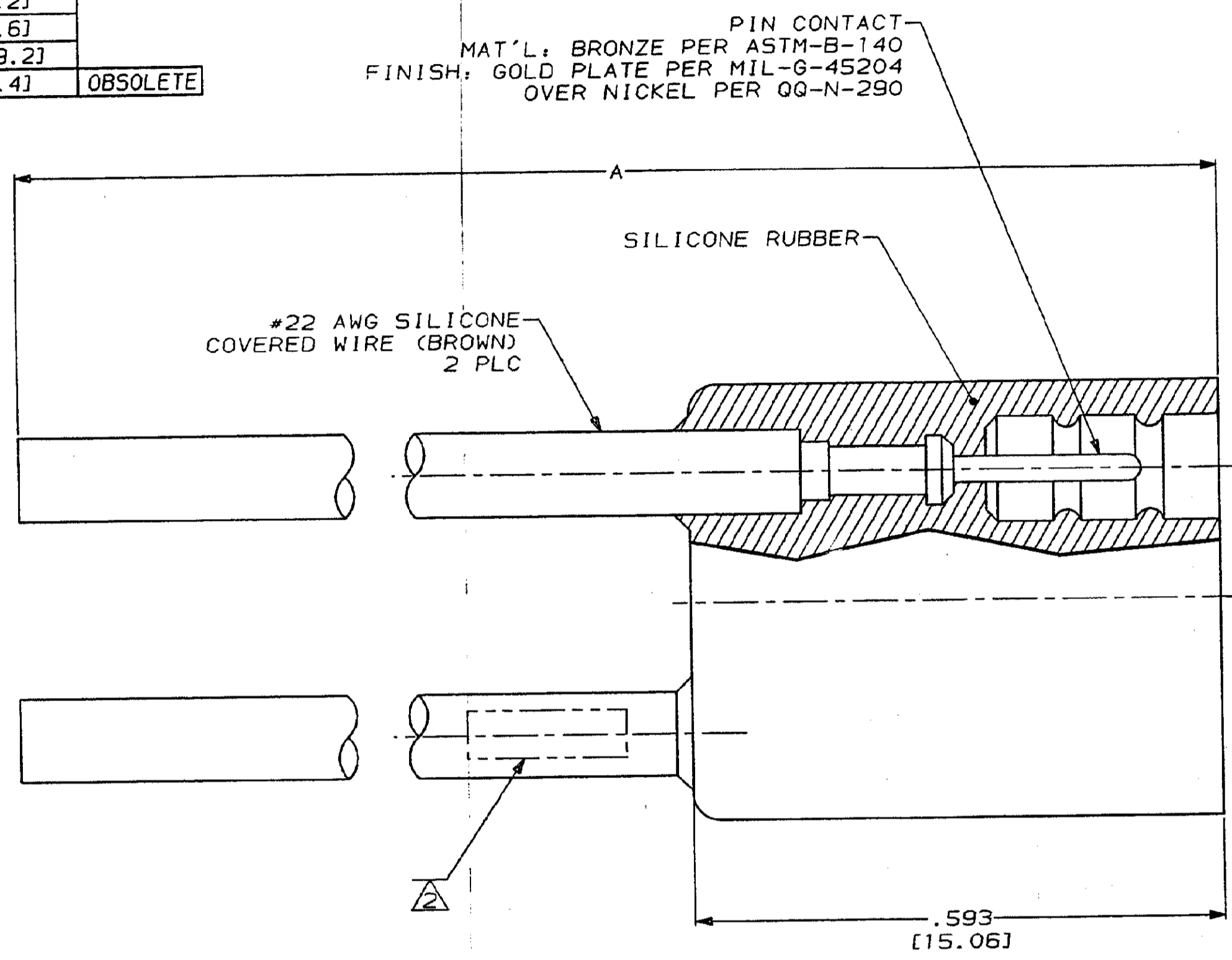
DRAWING MADE IN THIRD ANGLE PROJECTION

THIS DRAWING IS UNPUBLISHED. RELEASED FOR PUBLICATION
 © COPYRIGHT 19 BY AMP INCORPORATED. ALL INTERNATIONAL RIGHTS RESERVED.

| PROJ | LOC | DIST | REVISIONS | | | | |
|------|-----|------|-----------|-----|---------------------------------------|------|------|
| CODE | DF | 50 | ZONE | LTR | DESCRIPTION | DATE | APPD |
| 4081 | DF | 50 | | D | REACTIVATE -3 & REDRAW PER DF-5188 CT | 8-91 | SG |

| PART NO. | A DIM | |
|----------|----------------|----------|
| 866196-1 | 12.00 [304.8] | |
| 866196-2 | 18.00 [457.2] | |
| 866196-3 | 24.00 [609.6] | |
| 866196-4 | 48.00 [1219.2] | |
| 866196-5 | 16.00 [406.4] | OBSOLETE |

PIN CONTACT
 MAT'L: BRONZE PER ASTM-B-140
 FINISH: GOLD PLATE PER MIL-G-45204
 OVER NICKEL PER QQ-N-290



① TOLERANCE: UP TO 24.00 [609.6] = ±.12 [±3.0]
 24.00 [609.6] & UP = 1%
 ② MARKED PER MIL-STD-130 IN APPROX. AREA SHOWN.

| | | | | |
|---|------------------------------|--|--------------------|----------------------|
| DO NOT SCALE PRINT. UNLESS SPECIFIED DIMENSIONS IN INCHES [mm] TOLERANCES ON: 2 PLC DEC ±.02 [0.51] 3 PLC DEC ±.005 [0.13] ANGLES ± - | DR 8-9-91 C.C.THOMAS | AMP AMP Incorporated Harrisburg, PA 17105-3608 | | |
| | CHK 8-20-91 S.GLATFELTER | | | |
| | APPD 6-20-91 S.GLATFELTER | NAME | | |
| | APPD 8-20-91 C.THOMAS | RCPT, LGH, 2 POSN, MICRO-MIN | | |
| MATERIAL SEE CALLOUTS | PRODUCT SPEC - | SIZE C | CAGE CODE 00779 | DRAWING NO 866196 |
| FINISH SEE CALLOUTS | APPLICATION SPEC - | SCALE 8:1 | | SHEET 1 OF 1 |
| WEIGHT - | | | | |

CUSTOMER DRAWING