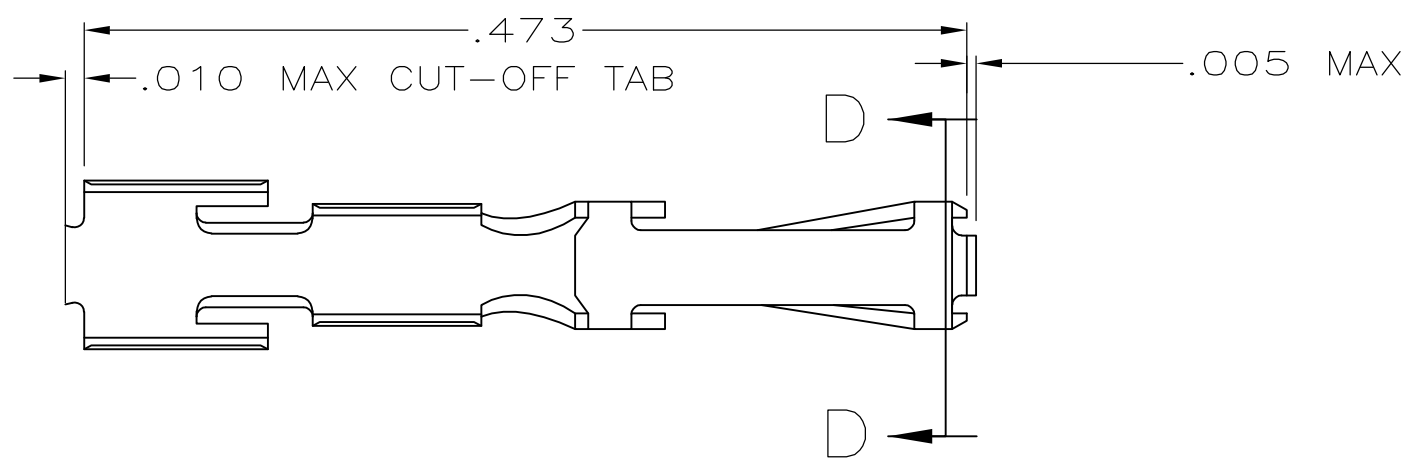


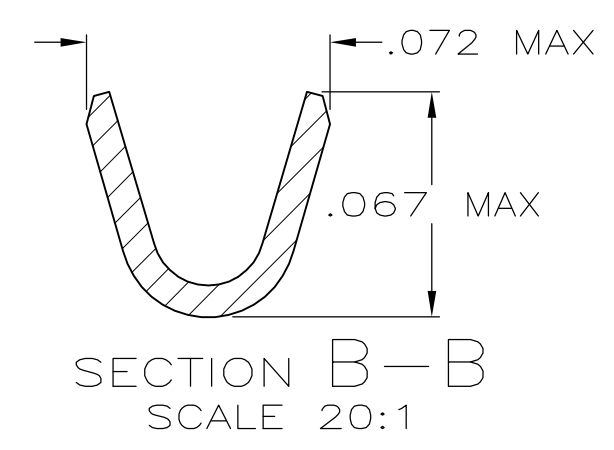
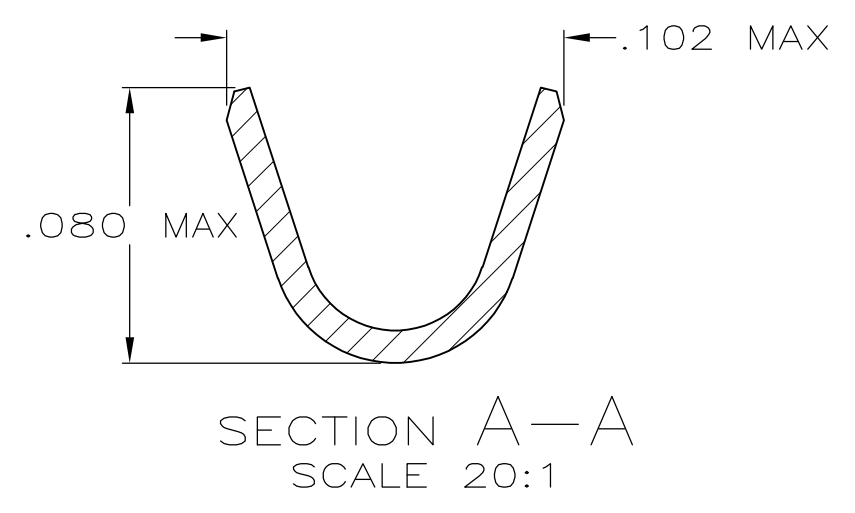
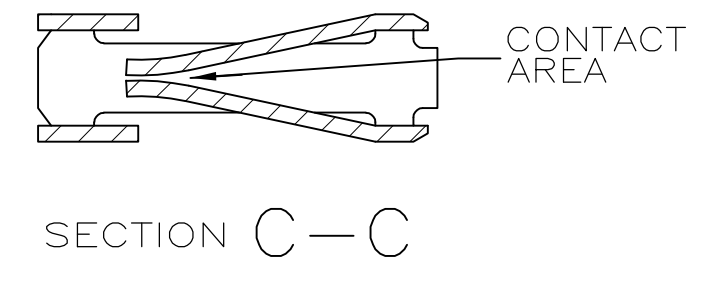
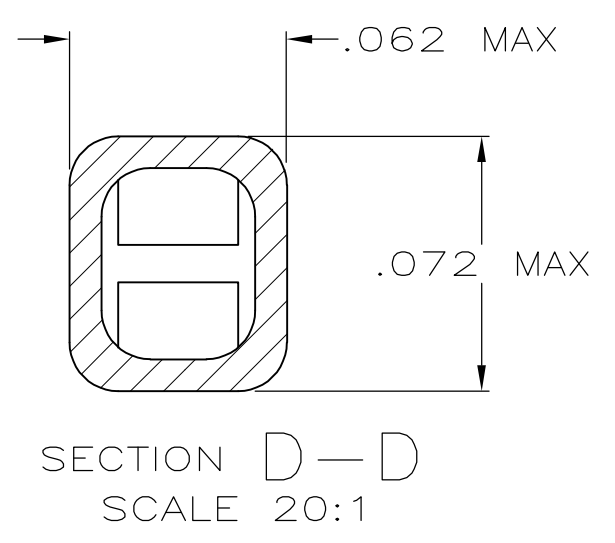
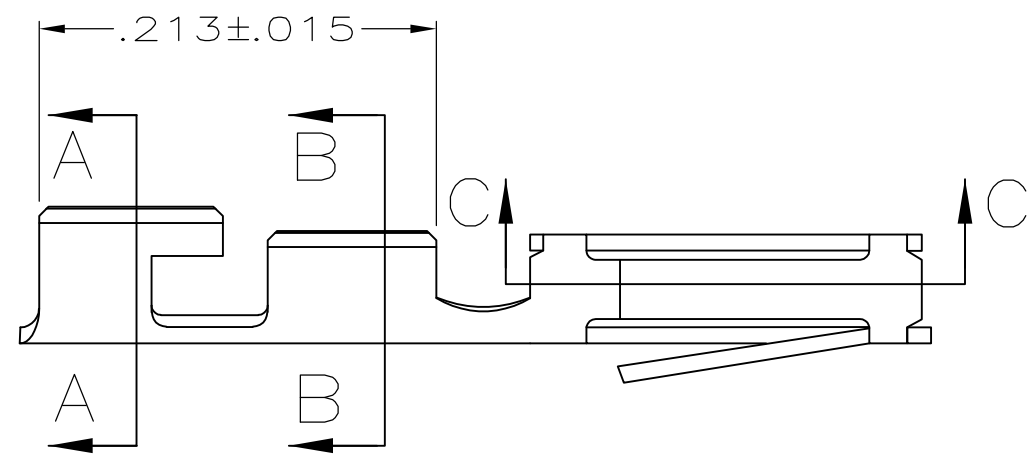
THIS DRAWING IS UNPUBLISHED. RELEASED FOR PUBLICATION
 © COPYRIGHT BY TYCO ELECTRONICS CORPORATION. ALL INTERNATIONAL RIGHTS RESERVED.

| LOC | DIST | REVISIONS | | | |
|-----|------|---------------------------|-----------|-----|------|
| P | LTR | DESCRIPTION | DATE | DWN | APVD |
| GP | 00 | | | | |
| | E | REVISED PER ECO-09-001588 | 25JUN2009 | CJV | CWR |



1. FINISH: GOLD FLASH ALL OVER .000015 THK GOLD ON LOCALIZED CONTACT PLATING AREA OVER .000050 MIN THK NICKEL ON ENTIRE CONTACT, -OR- .000050 MIN THK NICKEL UNDERPLATE ON ENTIRE CONTACT, GOLD FLASH OVER PALLADIUM-NICKEL, .000015 MIN TOTAL THK ON LOCALIZED CONTACT PLATING AREA AND GOLD FLASH OVER REMAINDER OF CONTACT.

2. FOR 22-24 AWG WIRE WITH AN INS. RANGE OF .040-.056



| | | |
|--------|-----------------|----------|
| 1 | 86655-2 | 86657-2 |
| FINISH | REELED PART NO. | PART NO. |

| | | | | |
|--|--|--------------------------------|---|-----------------------|
| THIS DRAWING IS A CONTROLLED DOCUMENT. | | DWN B. MOYER 6-8-89 | Tyco Electronics Corporation Harrisburg, PA 17105-3608 | |
| DIMENSIONS: INCHES | | CHK D.L. ROCKER 6-8-89 | NAME CONTACT, RCPT., ROUND WIRE, .100CL FFC | |
| TOLERANCES UNLESS OTHERWISE SPECIFIED: | | APVD C.D. MILLER 6-14-89 | PRODUCT SPEC 108-9024 | |
| 0 PLC ± - | | APPLICATION SPEC 114-16003 | | |
| 1 PLC ± - | | SIZE A2 | CAGE CODE 00779 | DRAWING NO C=86657 |
| 2 PLC ± - | | RESTRICTED TO | | |
| 3 PLC ± .005 | | SCALE 10:1 | | |
| 4 PLC ± - | | SHEET 1 of 1 | | |
| ANGLES ± - | | REV E | | |
| FINISH SEE TABLE | | CUSTOMER DRAWING | | |