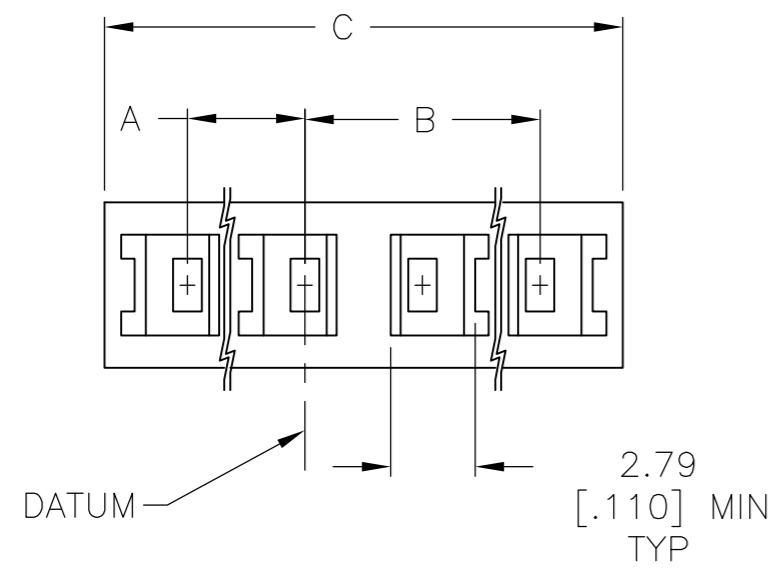
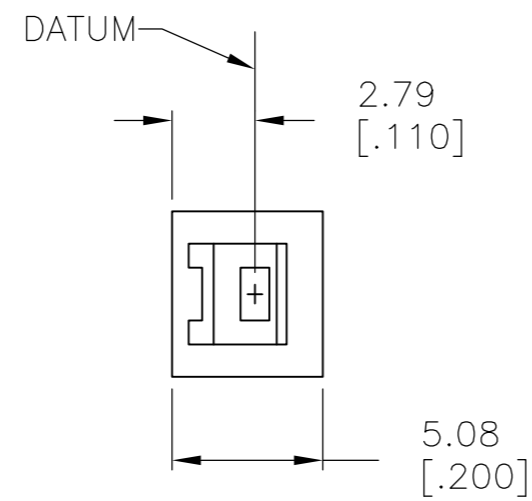


THIS DRAWING IS UNPUBLISHED. RELEASED FOR PUBLICATION
 © COPYRIGHT - By - ALL RIGHTS RESERVED.

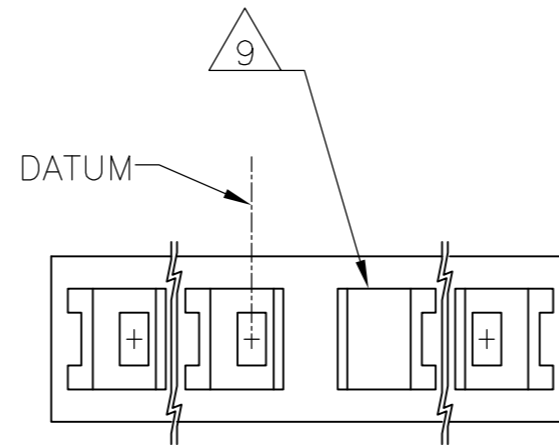
REVISIONS					
P	LTR	DESCRIPTION	DATE	DWN	APVD
J4		REVISED PER ECO-16-009321	23JUN2016	NK	JO



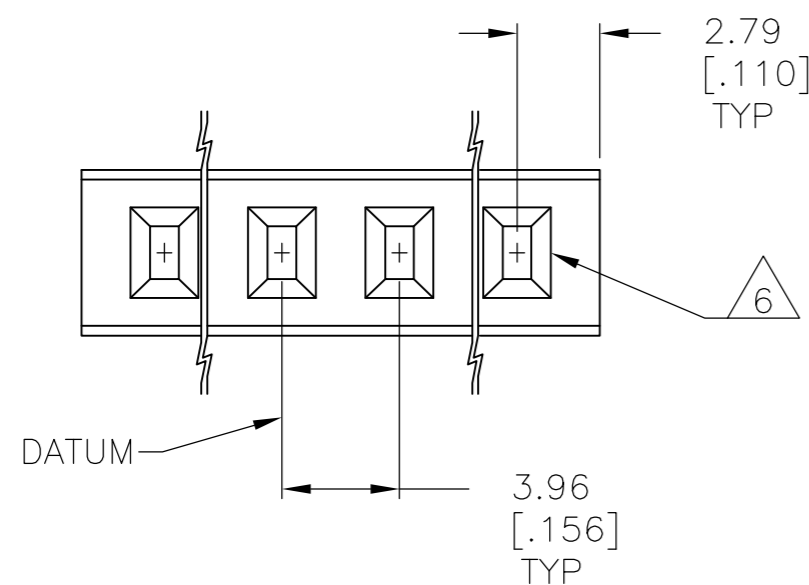
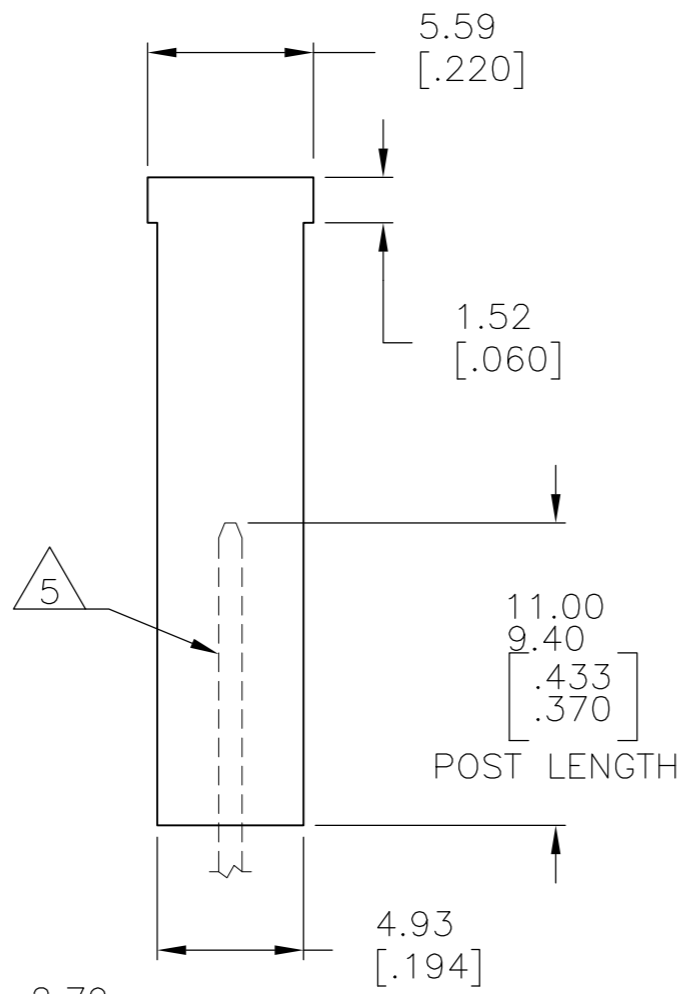
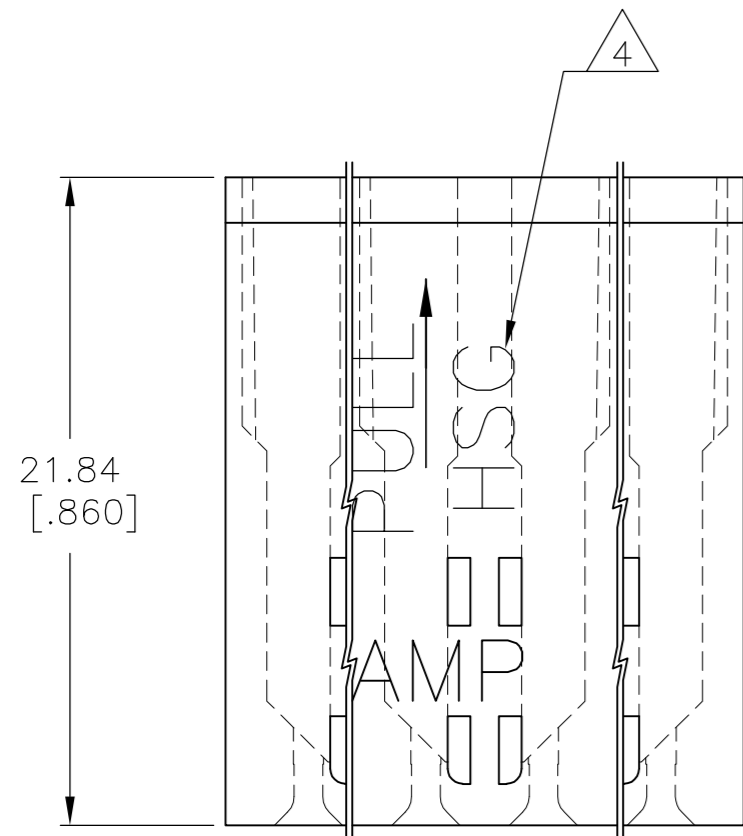
TOP VIEW 8



DETAIL X



DETAIL Y



- 1 PULL ON HOUSING TO REMOVE FROM POSTS. DO NOT CONFINE THE CONDUCTORS OR PULL ON THE CONDUCTORS DURING REMOVAL ACTION.
 - 2 IN ORDER FOR THIS HOUSING TO FUNCTION PROPERLY AS A CONNECTOR, THE CONTACTS (P/N 87278 SERIES) MUST BE CRIMPED ACCORDING TO AMP SPEC 114-25008.
- 4 MOLDED CHARACTERS THIS END.
 - 5 .79[.031] X 1.57[.062] POST SHOWN FOR REFERENCE ONLY.
 - 6 CAVITY ACCEPTS 0.79[.031] X 1.57[.062] POST (TYPICAL).
 - 7 BOLD CAVITY INDICATES TYPICAL DATUM.
 - 8 THIS VIEW TO BE REFERENCED WITH CAVITY ORIENTATION CHART.
 - 9 NO POST ENTREE HOLE IN THIS LOCATION.
 - 10 SEE DETAIL X.
 - 11 SEE DETAIL Y.

	53.14 [2.092]	23.77 [.936]	23.77 [.936]	13	1-87270-8
	45.21 [1.780]	19.81 [.780]	19.81 [.780]	11	1-87270-7
	37.29 [1.468]	15.85 [.624]	15.85 [.624]	9	1-87270-6
	29.36 [1.156]	11.89 [.468]	11.89 [.468]	7	1-87270-5
	21.44 [.844]	7.92 [.312]	7.92 [.312]	5	1-87270-4
	13.51 [.532]	3.96 [.156]	3.96 [.156]	3	1-87270-3
	25.40 [1.000]	11.89 [.468]	7.92 [.312]	5 OF 6	1-87270-2
	29.36 [1.156]	11.89 [.468]	11.89 [.468]	6 OF 7	1-87270-1
	21.44 [.844]	7.92 [.312]	7.92 [.312]	4 OF 5	1-87270-0
	57.10 [2.248]	27.74 [1.092]	23.77 [.963]	14	87270-9
	49.17 [1.936]	23.77 [.936]	19.81 [.780]	12	87270-8
	41.25 [1.624]	19.81 [.780]	15.85 [.624]	10	87270-7
	33.32 [1.312]	15.85 [.624]	11.89 [.468]	8	87270-6
	25.40 [1.000]	11.89 [.468]	7.92 [.312]	6	87270-5
	17.48 [.688]	7.92 [.312]	3.96 [.156]	4	87270-4
	17.48 [.688]	7.92 [.312]	3.96 [.156]	3 OF 4	87270-3
	9.55 [.376]	-	-	2	87270-2
	5.08 [.200]	-	-	1	87270-1

CAVITY ORIENTATION CHART

THIS DRAWING IS A CONTROLLED DOCUMENT.		DWN E.BRANDBERG 25FEB93	TE Connectivity	
DIMENSIONS: mm [INCHES]		CHK SCOTT A. SHUEY 25FEB93		
TOLERANCES UNLESS OTHERWISE SPECIFIED: 0 PLC ± - 1 PLC ± - 2 PLC ± - 3 PLC ± 0.13 [.005] 4 PLC ± - ANGLES ± -		APVD SCOTT A. SHUEY 25FEB93	NAME SCOTT A. SHUEY	
MATERIAL GLASS FILLED POLYESTER COLOR: BLACK		FINISH -	PRODUCT SPEC -	
WEIGHT -		APPLICATION SPEC -		SIZE A2
CUSTOMER DRAWING		SCALE 4:1		CAGE CODE 00779
DRAWING NO. 87270		DRAWING NO. 87270		RESTRICTED TO -
SHEET 1 OF 1		REV J4		