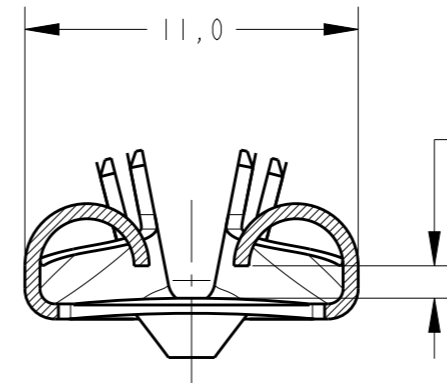
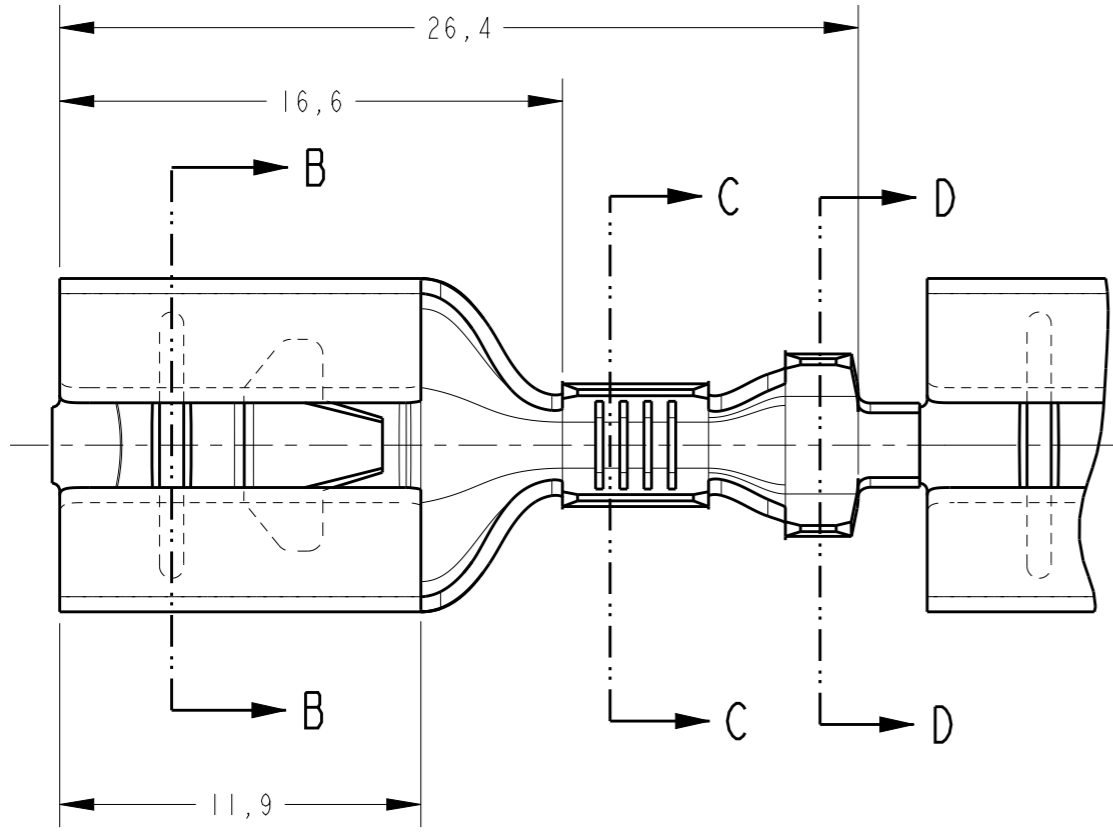


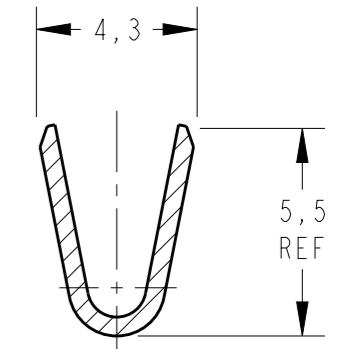
**creo**  
 Creo Parametric 2.0  
**DO NOT REVISE  
 EXCEPT BY CAD**

REVISIONS					
P	LTR	DESCRIPTION	DATE	DWN	APVD
	C	REDRAW BY CAD ECO-14-008817	16JUN2014	NCL	LWP
	CI	REVISED BY ECO 16-003723	29JUN2016	HC	WLS

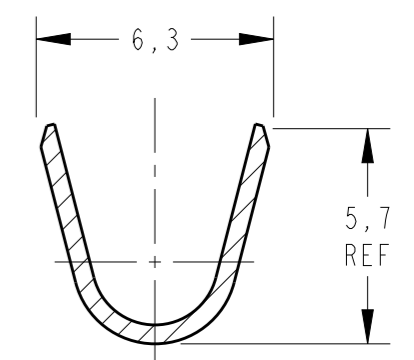


SECTION B-B  
SCALE 4:1

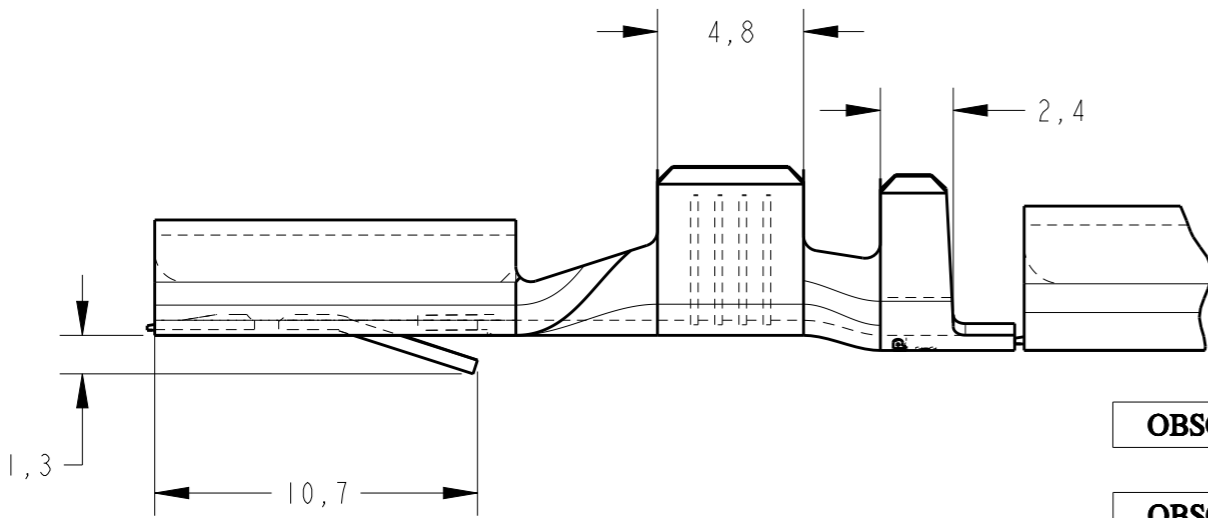
PARA LINGUETA  
 1,2 ESP. x 9,5 LARG.  
 FOR TAB 1,2 THK x 9,5 WIDTH



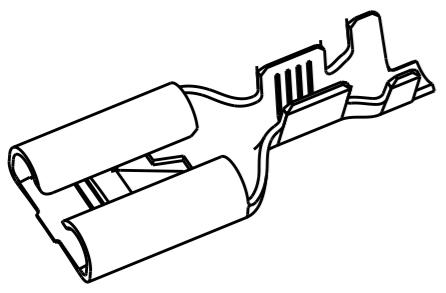
SECTION C-C  
SCALE 5:1



SECTION D-D  
SCALE 5:1



FINISH	MATERIAL	PART NUMBER
ESTANHADO / TIN PLATED	BRONZE FOSF. / PHOP. BRONZE	880003 -4
<b>OBSOLETE</b>	BRONZE FOSF. / PHOP. BRONZE	<del>880003 -3</del>
ESTANHADO / TIN PLATED	LATÃO / BRASS	880003 -2
<b>OBSOLETE</b>	LATÃO / BRASS	<del>880003 -1</del>



PERSPECTIVE VIEW  
SCALE 2:1

WIRE RANGE  
2,5-4,0mm<sup>2</sup>  
 INS. DIA. RANGE  
Ø 3,3-4,5mm

THIS DRAWING IS A CONTROLLED DOCUMENT.

DIMENSIONS: mm	TOLERANCES UNLESS OTHERWISE SPECIFIED: 0 PLC ±0,3 1 PLC ±0,3 2 PLC ±0,3 3 PLC ±0,3 4 PLC ±0,3 ANGLES ±1°	MATERIAL SEE TABLE	FINISH SEE TABLE	DWN 25FEB2014 NCLAPRESA	CHK 25FEB2014 JRGOLDSCHMIDT	APVD 25FEB2014 DAOLIVEIRA	PRODUCT SPEC 108-37015	APPLICATION SPEC -	WEIGHT -	CUSTOMER DRAWING	NAME -	SIZE A3	CAGE CODE -	DRAWING NO C-880003	RESTRICTED TO -
-------------------	--	-----------------------	---------------------	----------------------------	--------------------------------	------------------------------	---------------------------	-----------------------	-------------	------------------	-----------	------------	----------------	------------------------	--------------------

SCALE 4:1 SHEET 1 OF 1 REV CI



FAST-IN-ON .375 RECEPTACLE