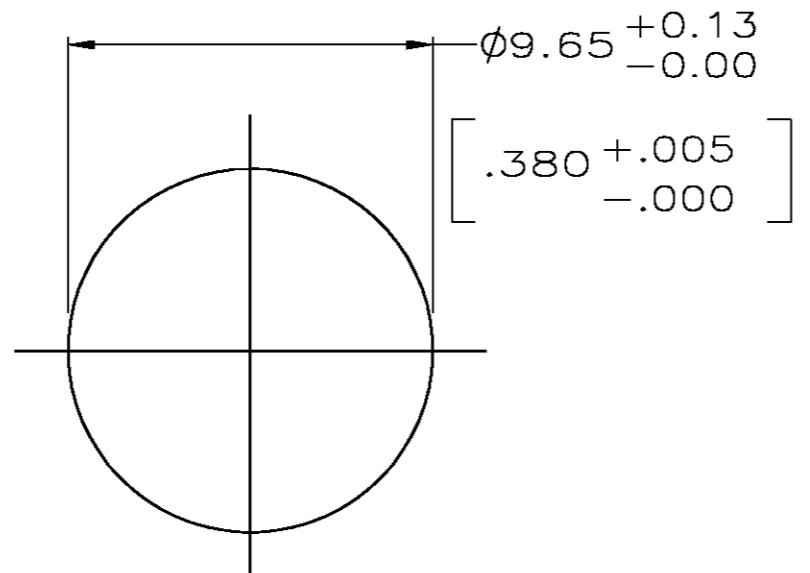


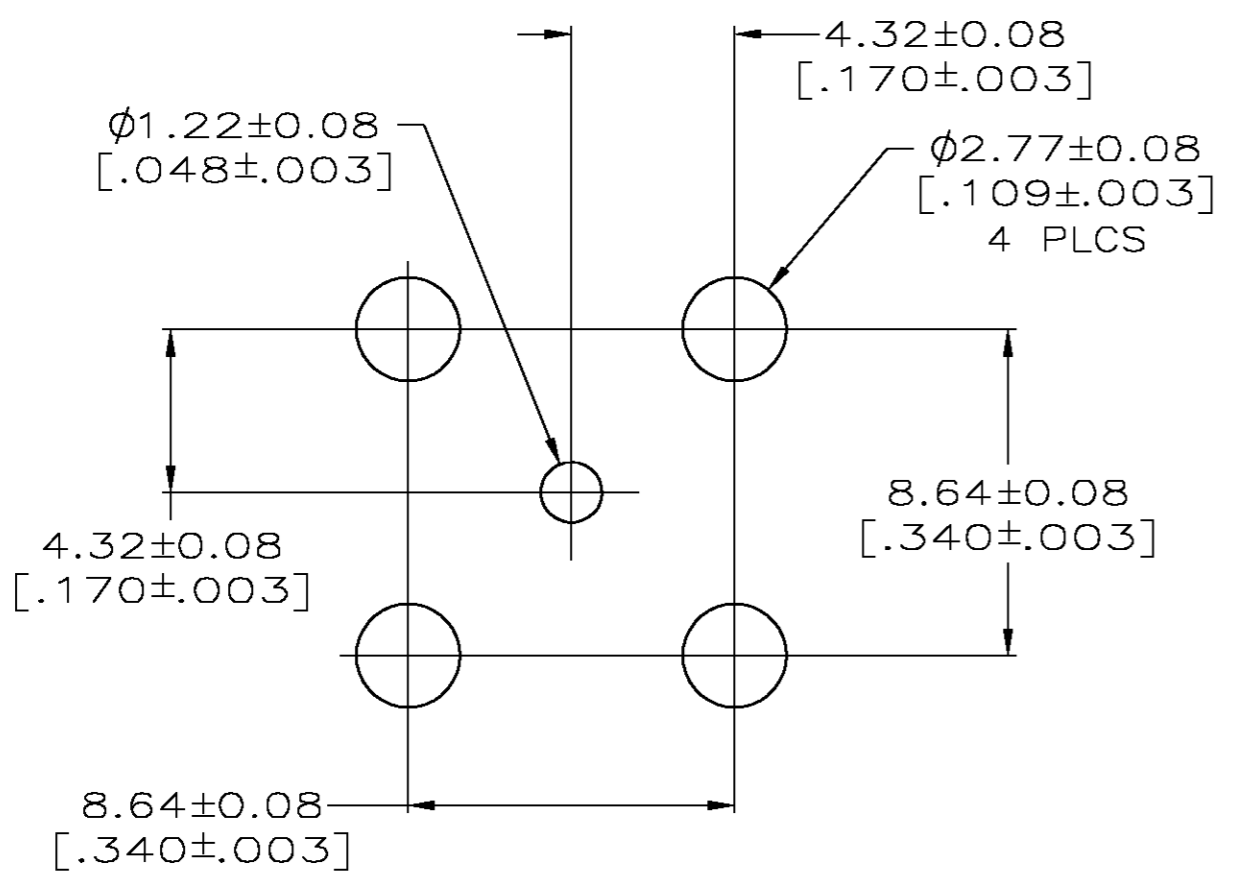
THIS DRAWING IS UNPUBLISHED. RELEASED FOR PUBLICATION
 © COPYRIGHT BY TYCO ELECTRONICS CORPORATION. ALL RIGHTS RESERVED.

| Loc | | DIST | | REVISIONS | | | | | |
|-----|--|------|--|-----------|-----|---------------------|---------|-----|------|
| AJ | | 16 | | P | LTR | DESCRIPTION | DATE | DWN | APVD |
| | | | | C | | PER EC 0S14-0179-04 | 18NOV04 | D5 | KW |

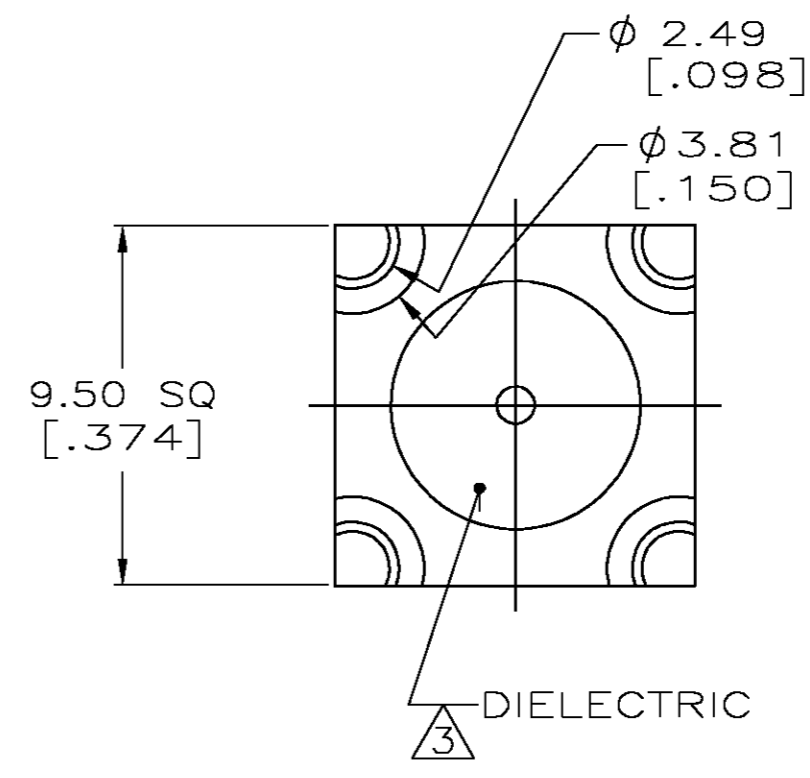
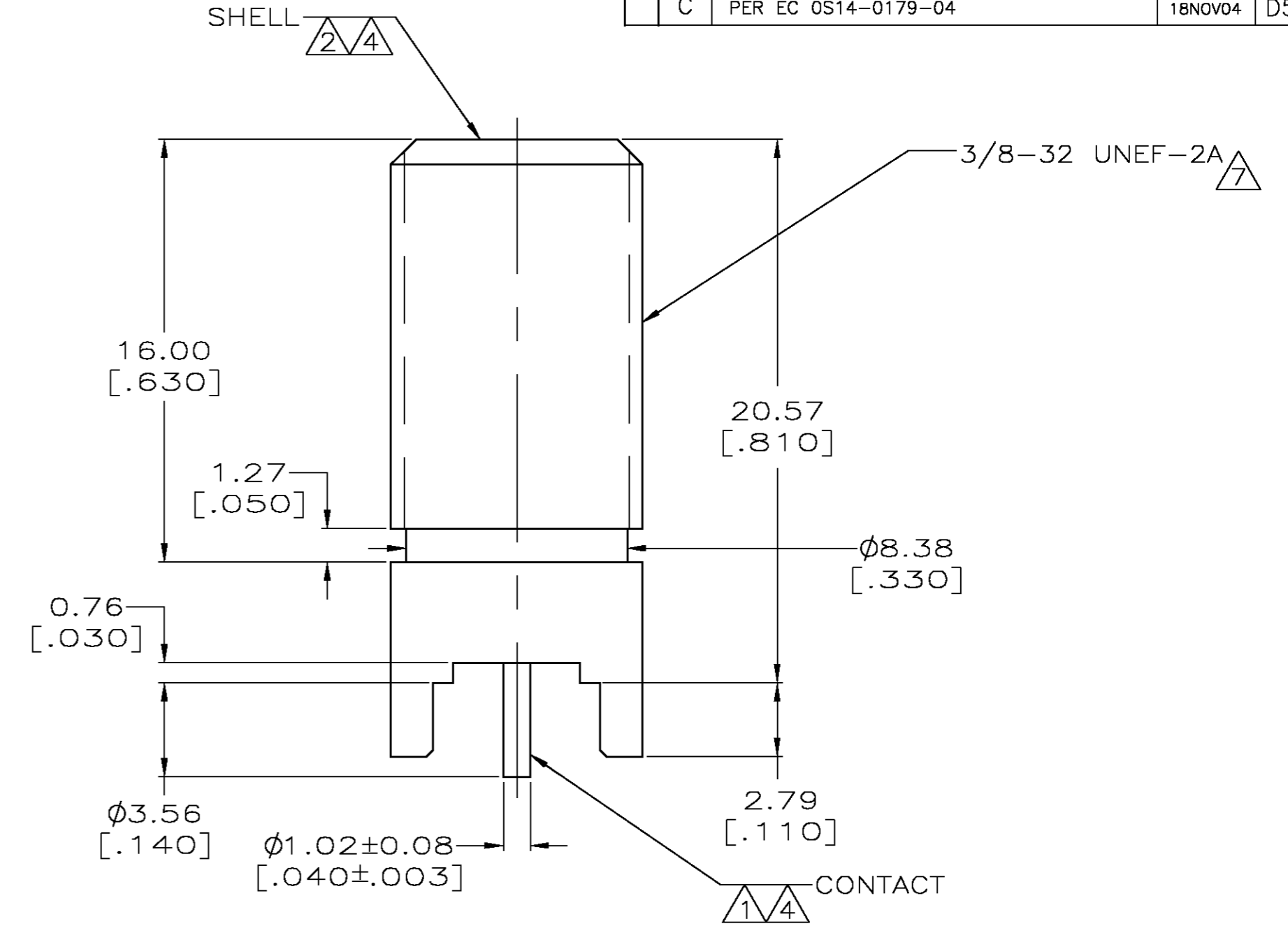
- ① PHOSPHOR BRONZE PER QQ-B-750
- ② ZINC PER QQ-Z-363.
- ③ PTFE PER MIL-P-19468.
- ④ TIN PLATE PER ASTM B 545.
3.81 μm [.000150] MINIMUM THICK.
- 5. CONNECTOR WILL ACCEPT A CENTER CONDUCTOR
DIAMETER OF 0.56[.022]-1.19[.047].
- 6. RETURN LOSS: -20 dB NOMINAL, UP TO 1 GHz.
- ⑦ MAJOR DIAMETER MODIFIED TO .363 REF.



SUGGESTED PANEL CUTOUT



RECOMMENDED PCB CONFIGURATION



887046-1
PART NUMBER

| | | | | |
|--|----------------------|-------------------------------|--|--------------------|
| THIS DRAWING IS A CONTROLLED DOCUMENT. | | DWN M. O'BRINE 29NOV99 | Tyco Electronics Corporation Middletown, PA 17057 | |
| DIMENSIONS: mm [INCHES] | | CHK K. WEIDNER 29NOV99 | | |
| TOLERANCES UNLESS OTHERWISE SPECIFIED: | | APVD K. WEIDNER 29NOV99 | NAME JACK, PCB, VERTICAL, F SERIES | |
| 0 PLC ± - | 1 PLC ± - | PRODUCT SPEC | SIZE A2 | CAGE CODE 00779 |
| 2 PLC ± - | 3 PLC ± 0.20 [.008] | APPLICATION SPEC | DRAWING NO C=887046 | RESTRICTED TO |
| 4 PLC ± - | ANGLES ± - | FINISH | SCALE 5:1 | SHEET 1 OF 1 |
| MATERIAL SEE NOTES 1-3 | FINISH SEE NOTE 4 | WEIGHT - | REV C | |
| CUSTOMER DRAWING | | | | |